



SOLOSiren®

Short Range Ultrasonic Level Monitor

Short Range Ultrasonic Level Monitor

Ideal for Low Flow Data Collection in Pipes

Wireless Data Transmission

Rugged Field Case

Lightweight, Highly Portable Compact Design

Self-Sustaining, User Replaceable Battery System

SOLOSiren®

The SOLOSiren® will provide you with accurate insight into your environmental data collection program without breaking the budget. Designed by field technicians with over 20 years experience, it's rugged, tough, and user-friendly.

With sensor options to meet the demand of today's environmental monitoring challenges, the SOLOSiren® is the go-to device for short term, fast turn-around data acquisition.

With the combination of an ultra-low power microprocessor and a user replaceable power pack, the SOLOSiren® will provide up to six months of data acquisition on a single charge.

With simplified user definable sampling, alarm, and data transmission rates, know the condition of your site in near real-time.



Technical Specifications:

Dimensions:	9.84" x 6.12" x 2.89"
Weight:	5 lbs.
Enclosure:	ABS / PC / TPU
Power:	Logger Input: 3.3V DC Sensor Input: 12V DC
Battery:	Rechargeable Battery Pack
Input:	Single Sensor - Analog, Serial, Digital or Pulse
Data Storage:	Internal Flash Memory, 88000 Sensor Readings
Sampling Rate:	User Defined: 1 Minute Minimum (Standard) 1 Second Minimum (Optional)
Alarming:	User Defined Data Point Threshold
Wireless:	4G LTE Worldwide Cellular Modem
SMS Alarming:	Optional with Single Point Blind Alarm
Software Interface:	FieldSIREN™ Proprietary Field Software (Included free with every purchase.)
Data Interface:	BlueLive® Cloud Based Big Data Hosting, FTP, Drop Box®, Google Drive®
Temperature:	-40°C to 60°C (-40°F to 140°F)



ALL PRODUCT, PRODUCT SPECIFICATIONS AND DATA ARE SUBJECT TO CHANGE WITHOUT NOTICE TO IMPROVE RELIABILITY, FUNCTION, DESIGN OR OTHERWISE. It shall be the customer's responsibility to validate that a particular product with the properties described in the product specification is suitable for use in a particular application.



Technical Specifications:

Body Material: Rugged PVC Construction

Accuracy: +/- 0.1% of Target Range

Beam Angle: 50° Conical

Operating Voltage: 12V DC

Temp. Compensation: Yes

Range: 1 inch (25mm) to 5 feet (1.5m)

Target Detection: Dead-Band: 1 in (25mm)
Maximum Range: 5 ft (1.5m)

Response Time: 60 mS

Sampling Rate: 0.1Hz to 20Hz in 0.1Hz increments
Factory Default: 10Hz

Temperature Range °C: -40°C to 70°C

Relative Humidity: 0 to 95%, non-condensing

Enclosure Rating: IP68

ALL PRODUCT, PRODUCT SPECIFICATIONS AND DATA ARE SUBJECT TO CHANGE WITHOUT NOTICE TO IMPROVE RELIABILITY, FUNCTION, DESIGN OR OTHERWISE. ... It shall be the customer's responsibility to validate that a particular product with the properties described in the product specification is suitable for use in a particular application.

Industrial Short Range Ultrasonic Level Sensor Product Specification Sheet

Measure Low Flow Depths in Pipes

Pre-Calibrated for Water Level Detection

Near Zero Dead Band (1" to 5") Range

Submersible Design

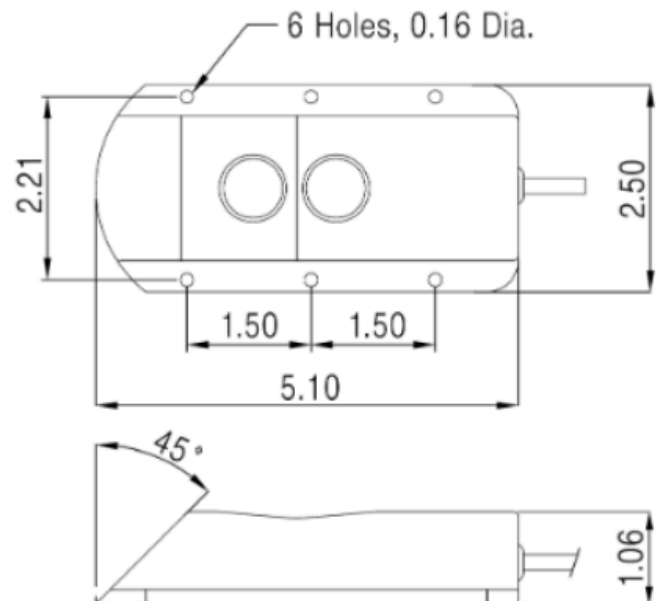
Smart Signal vs Level Detection and Correction when used with Blue Siren Loggers.

Measure Low Flow and other Level In Pipes and Constricted Spaces

High-Resolution, Submersible, In-Pipe Ultrasonic Level complete with 25ft cable. Great for measuring low flow depth that require a true resolution and accuracy of 1mm.

Low profile ultrasonic transmitter modules are optimized to provide continuous non-contact distance measurement of fluids in constrained working zones for application ranges from 1 inch (25 mm) to 5 feet (1.5 m).

All sensors provide precision measurement for wastewater and water flow with non-uniform surfaces by incorporating state-of-the-art dual-transducer ultrasonic technology and processing algorithms.



DATA MANAGEMENT

Wireless Cloud Delivery and Data Analysis

View and Analyze Real Time Data

Automatic Delivery to Hosting Provider of your choice, DropBox®, Google Drive®, FTP, email, BlueLive®

Batch View Line and Scatter Plots

Manage Large Networks

Multiple End Users, No Additional Fees



FLEXIBLE DATA PLAN AND DELIVERY OPTIONS:

Automatically upload monitor data to BlueLive®, DropBox®, GoogleDrive®, email, or a FTP location of your choice. The internal worldwide 4G LTE wireless module supports multiple countries and cellular frequencies. In addition, WiFi connectivity options also available for infrastructure implementation. Provide your own SIM card and cellular network or have Blue Siren provide one for you. Blue Siren has low cost options on major networks such as AT&T® and Verizon Wireless®.

Graphical Analysis	Line Graph Batch Analysis	Scatter Plot Batch Analysis	Data Export	Wiifat Export	GIS Analytics	Monitor Map	Wireless Report	Alarm Report	Alarm Setup	Email Config	Data Upload	Settings	Site Info
<h4>Multi-Layered Line Graphs</h4>						<h4>Batch Report and ScatterPlots</h4>							
<h4>GIS, Google Maps, and Spatial Analysis Tools</h4>						<h4>Image vs Data Correlation and TimeLapse</h4>							

ALL PRODUCT, PRODUCT SPECIFICATIONS AND DATA ARE SUBJECT TO CHANGE WITHOUT NOTICE TO IMPROVE RELIABILITY, FUNCTION OR DESIGN OR OTHERWISE. ... It shall be the customer's responsibility to validate that a particular product with the properties described in the product specification is suitable for use in a particular application.