



# SOLOSiren®

## Pump Current Monitor



Monitor Current and Energy Consumption

Easy SetUp and Operation

Wireless Data Transmission

Rugged Field Case

Lightweight, Highly Portable Compact Design

Self-Sustaining, User Replaceable Battery System

### Technical Specifications:

Dimensions:	9.84" x 6.12" x 2.89"
Weight:	5 lbs.
Enclosure:	ABS / PC / TPU
Power:	Logger Input: 3.3V DC Sensor Input: 12V DC
Battery:	Rechargeable Battery Pack
Input:	Single Sensor - Analog, Serial, Digital or Pulse
Data Storage:	Internal Flash Memory, 88000 Sensor Readings
Sampling Rate:	User Defined: 1 Minute Minimum (Standard) 1 Second Minimum (Optional)
Alarming:	User Defined Data Point Threshold
Wireless:	4G LTE Worldwide Cellular Modem
SMS Alarming:	Optional with Single Point Blind Alarm
Software Interface:	FieldSIREN™ Proprietary Field Software (Included free with every purchase.)
Data Interface:	BlueLive® Cloud Based Big Data Hosting, FTP, Drop Box®, Google Drive®
Temperature:	-40°C to 60°C (-40°F to 140°F)

### SOLOSiren®

The SOLOSiren® will provide you with accurate insight into your environmental data collection program without breaking the budget. Designed by field technicians with over 20 years experience, it's rugged, tough, and user-friendly.

With sensor options to meet the demand of today's environmental monitoring challenges, the SOLOSiren® is the go-to device for short term, fast turn-around data acquisition.

With the combination of an ultra-low power microprocessor and a user replaceable power pack, the SOLOSiren® will provide up to six months of data acquisition on a single charge.

With simplified user definable sampling, alarm, and data transmission rates, know the condition of your site in near real-time.



ALL PRODUCT, PRODUCT SPECIFICATIONS AND DATA ARE SUBJECT TO CHANGE WITHOUT NOTICE TO IMPROVE RELIABILITY, FUNCTION, DESIGN OR OTHERWISE. ... It shall be the customer's responsibility to validate that a particular product with the properties described in the product specification is suitable for use in a particular application.



# Pump Current Sensor Product Specification Sheet



Self Powered

Fire Retardant

0-5V DC Output

Compact, Easy To Wire, And Easy To Mount

Open and Closed Configuration Available

## Technical Specifications:

Body Material: Fire Retardant ABS Box encased in Potting Epoxy

Dimensions: Potted Plastic Box: 3" x 1.1" x 0.4"  
CT Wire Window: 14.5mm (0.570")

Accuracy: Better than 1% of full scale.

Operating Voltage: Self Powered

Input: Wire current input through CT up to calibrated range:

0-10A AC  
0-25A AC  
0-50A AC  
0-100A AC

Output: 0-5V DC - proportional to RMS input current.  
Clamped at 6V DC.

Frequency: 50 or 60 Hz

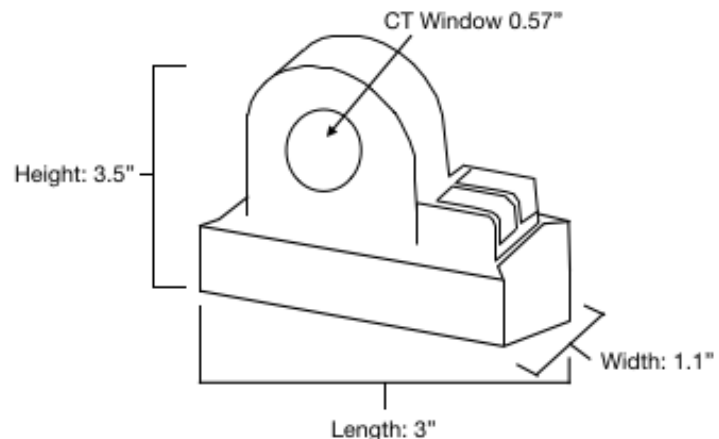
Dielectric Test: 4 KVRMS

## Non-Intrusive Current

The Blue Siren® Current transducer is made to withstand moisture, dust, and vibration making it ideal for energy management applications.

There is no need to configure this current transducer saving time in the field. Simply plug into your monitor and leave the site.

Monitor Ranges from 0 to 10, 25, 50 and 100A



ALL PRODUCT, PRODUCT SPECIFICATIONS AND DATA ARE SUBJECT TO CHANGE WITHOUT NOTICE TO IMPROVE RELIABILITY, FUNCTION, DESIGN OR OTHERWISE. ... It shall be the customer's responsibility to validate that a particular product with the properties described in the product specification is suitable for use in a particular application.



# DATA MANAGEMENT

## Wireless Cloud Delivery and Data Analysis

*View and Analyze Real Time Data*

*Automatic Delivery to Hosting Provider of your choice, DropBox®, Google Drive®, FTP, email, BlueLive®*

*Batch View Line and Scatter Plots*

*Manage Large Networks*

*Multiple End Users, No Additional Fees*

### FLEXIBLE DATA PLAN AND DELIVERY OPTIONS:

Automatically upload monitor data to BlueLive®, DropBox®, GoogleDrive®, email, or a FTP location of your choice. The internal worldwide 4G LTE wireless module supports multiple countries and cellular frequencies. In addition, WiFi connectivity options also available for infrastructure implementation. Provide your own SIM card and cellular network or have Blue Siren provide one for you. Blue Siren has low cost options on major networks such as AT&T® and Verizon Wireless®.

Graphical Analysis	Line Graph Batch Analysis	Scatter Plot Batch Analysis	Data Export	Wiifit Export	GIS Analytics	Monitor Map	Wireless Report	Alarm Report	Alarm Setup	Email Config	Data Upload	Settings	Site Info
<b>Multi-Layered Line Graphs</b>						<b>Batch Report and ScatterPlots</b>							
<b>GIS, Google Maps, and Spatial Analysis Tools</b>						<b>Image vs Data Correlation and TimeLapse</b>							

ALL PRODUCT, PRODUCT SPECIFICATIONS AND DATA ARE SUBJECT TO CHANGE WITHOUT NOTICE TO IMPROVE RELIABILITY, FUNCTION OR DESIGN OR OTHERWISE. ... It shall be the customer's responsibility to validate that a particular product with the properties described in the product specification is suitable for use in a particular application.