



# SOLOSiren®

## Dissolved Oxygen (DO) Monitor



### Technical Specifications:

Dimensions: 9.84" x 6.12" x 2.89"

Weight: 5 lbs.

Enclosure: ABS / PC / TPU

Power: Logger Input: 3.3V DC  
Sensor Input: 12V DC

Battery: Rechargeable Battery Pack

Input: Single Sensor - Analog, Serial, Digital or Pulse

Data Storage: Internal Flash Memory, 88000 Sensor Readings

Sampling Rate: User Defined: 1 Minute Minimum (Standard)  
1 Second Minimum (Optional)

Alarming: User Defined Data Point Threshold

Wireless: 4G LTE Worldwide Cellular Modem

SMS Alarming: Optional with Single Point Blind Alarm

Software Interface: FieldSIREN™ Proprietary Field Software  
(Included free with every purchase.)

Data Interface: BlueLive® Cloud Based Big Data Hosting, FTP,  
Drop Box®, Google Drive®

Temperature: -40°C to 60°C (-40°F to 140°F)

ALL PRODUCT, PRODUCT SPECIFICATIONS AND DATA ARE SUBJECT TO CHANGE WITHOUT NOTICE TO IMPROVE RELIABILITY, FUNCTION, DESIGN OR OTHERWISE. ... It shall be the customer's responsibility to validate that a particular product with the properties described in the product specification is suitable for use in a particular application.

Cost Effective DO Monitoring Solution

Single Sensor Monitoring

Wireless Data Transmission

Rugged Field Case

Lightweight, Highly Portable Compact Design

Self-Sustaining, User Replaceable Battery System

### SOLOSiren®

The SOLOSiren® will provide you with accurate insight into your environmental data collection program without breaking the budget. Designed by field technicians with over 20 years experience, it's rugged, tough, and user-friendly.

With sensor options to meet the demand of today's environmental monitoring challenges, the SOLOSiren® is the go-to device for short term, fast turn-around data acquisition.

With the combination of an ultra-low power microprocessor and a user replaceable power pack, the SOLOSiren® will provide up to six months of data acquisition on a single charge.

With simplified user definable sampling, alarm, and data transmission rates, know the condition of your site in near real-time.





# Dissolved Oxygen DO Sensor



## Technical Specifications:

Max Depth: 343 meters (1,125 ft)

Max Pressure: 3,447 kPA (500 PSI)

Accuracy: +/- 0.05 mg/L

Operating Voltage: 3.3V - 5V

Temp. Compensation: Yes

Range: 0.01 -100+ mg/L  
0.1 - 400+ %saturation

Cable: 1 Meter

Data Protocol: UART and I<sup>2</sup>C

Response Time: 1 Reading Per Second

Data Format: ASCII

Temperature Range °C: 1°C to 50°C

Internal Temp. Sensor: No

Maintenance: ~18 Months

Life Expectancy: 5 Years +

Fully Submersible

Max Pressure Of 500 PSI

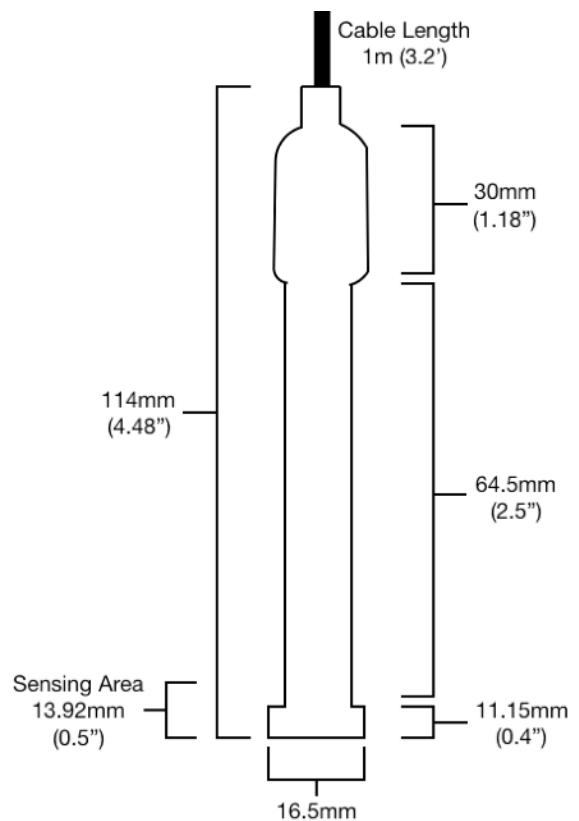
Temperature Range Of 1-50°C

Measure Concentrations of 0.01 -100+ mg/L

Monitor dissolved oxygen levels in water and wastewater using this sensor. Easily connect to the SOLOSiren® allowing you to collect and send wireless DO readings to the cloud for further analysis.

When the probe is submerged, oxygen molecules start to diffuse through the probe's polyethylene membrane at a constant rate. The molecules get reduced at the pure silver cathode and produce a small voltage which is then converted to a DO reading.

Readings can be gathered up to 343 meters with an accuracy of ±0.05 mg/L.



ALL PRODUCT, PRODUCT SPECIFICATIONS AND DATA ARE SUBJECT TO CHANGE WITHOUT NOTICE TO IMPROVE RELIABILITY, FUNCTION, DESIGN OR OTHERWISE. ... It shall be the customer's responsibility to validate that a particular product with the properties described in the product specification is suitable for use in a particular application.

# DATA MANAGEMENT

## Wireless Cloud Delivery and Data Analysis

*View and Analyze Real Time Data*

*Automatic Delivery to Hosting Provider of your choice, DropBox®, Google Drive®, FTP, email, BlueLive®*

*Batch View Line and Scatter Plots*

*Manage Large Networks*

*Multiple End Users, No Additional Fees*



### FLEXIBLE DATA PLAN AND DELIVERY OPTIONS:

Automatically upload monitor data to BlueLive®, DropBox®, GoogleDrive®, email, or a FTP location of your choice. The internal worldwide 4G LTE wireless module supports multiple countries and cellular frequencies. In addition, WiFi connectivity options also available for infrastructure implementation. Provide your own SIM card and cellular network or have Blue Siren provide one for you. Blue Siren has low cost options on major networks such as AT&T® and Verizon Wireless®.



ALL PRODUCT, PRODUCT SPECIFICATIONS AND DATA ARE SUBJECT TO CHANGE WITHOUT NOTICE TO IMPROVE RELIABILITY, FUNCTION OR DESIGN OR OTHERWISE. ... It shall be the customer's responsibility to validate that a particular product with the properties described in the product specification is suitable for use in a particular application.