

PORTABLE MULTI-PARAMETER WEATHER STATION



Monitor Multiple Weather Parameters; Rainfall, Wind, UV Humidity, Barometric Pressure, and more . .

Connect Multiple Sensors, up to 20 Channels

User Replaceable Internal 12V Battery Supply

Lightweight, Portable Compact Design

Modular Wireless Design allows 4G or WiFi Connectivity

SCADASiren™

The SCADASiren™ is a multi-application wall mount monitoring system with LCD and flow totalizer. Multiple SCADA output options are available including 4-20 mA, RS485, serial and analog output modules.

Optional USB allows for onsite data collection not requiring external connection to a field computer to collect data.

Automatically upload data for analysis to BlueLive[®] Cloud, DropBox[®], GoogleDrive[®] or FTP location of your choice. Future proof worldwide LTE wireless module supports multiple countries and cellular frequencies, WiFi option also supported.

Built-in multi-media platform allows direct connection of our vision camera taking simultaneous pictures that correlate directly with sensor readings. Receive alarm emails with not only critical data but also images supporting the condition.

Automatically upload data for analysis to BlueLive[®] Cloud, DropBox[®], GoogleDrive[®] or FTP location of your choice. Future proof worldwide LTE wireless module supports multiple countries and cellular frequencies, WiFi option also supported.

SPECIFICATION

Enclosure:	10 x 8 x 4in (HxWxD), wall mount, fiberglass reinforced polyester, gray, single-door, (2) twist-lock latches, SAR acrylic window.
Data Storage	Internal Storage - 2.5 yr@15 min Sample Rate USB - over 20 years
Total Images	Internal Memory 500 (640x480) Images, USB over one million, Storage changes with image resolution"
Output:	RS485, Sampler Pulse, LCD
Power:	Logger: 3.3 V, Internal: 12 V, External: Max 16 V
Operating Temp.	-40 to 60°C (-40 to 140°F)
Connectors:	Spring Load Compression Fit
Power:	Internal 12 V AC / DC Power Supply
Sample Rate:	User Defined, 1 to 60 minutes
Software:	Field-Siren Windows GUI, Cloud Programmable
Protocol:	Compressed Binary
Wireless:	World Wide Cellular: 4G LTE and WiFi
Data Transfer:	Blue-Live [®] - DropBox [®] - GoogleDrive [®] - FTP

ALL PRODUCT, PRODUCT SPECIFICATIONS AND DATA ARE SUBJECT TO CHANGE WITHOUT NOTICE TO IMPROVE RELIABILITY, FUNCTION, DESIGN OR OTHERWISE. ... It shall be the customer's responsibility to validate that a particular product with the properties described in the product specification is suitable for use in a particular application.

Monitor With Vision[®]





Wind Speed Sensor Product Specification Sheet



Accurate 1mph Speed Resolution

Can Measure Windspeed from 0mph to 175mph

Able To Withstand Extreme Weather

High Resolution Compass

1° Direction Resolution

Wind Speed

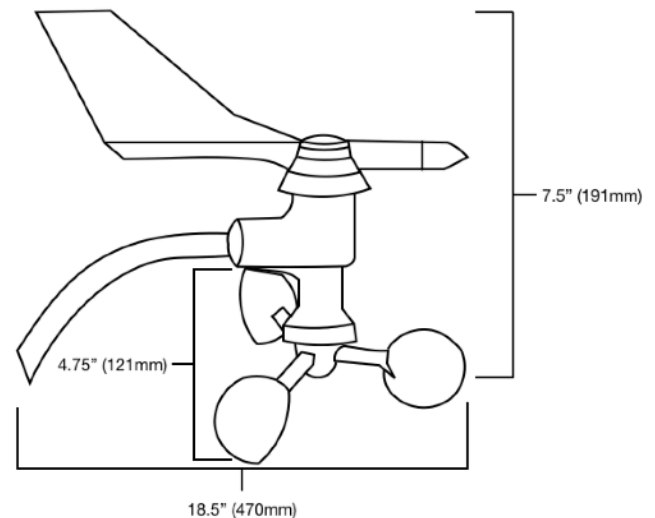
Accurately measure the speed and direction of wind using this wind sensor. Designed to withstand hurricane-force winds of maximum 175mph and also sensitive enough to detect a light breeze of 1mph.

The wind gauge can handle extreme cold and heat making it ideal for weather applications.

Pole Mount hardware included with sensor

Technical Specifications:

Weight:	2 lbs. 15 oz. (1.332 kg)
Dimensions:	18.5" long x 7.5" high x 4.75" wide (470mm x 191mm x 121mm)
Body Material:	Wind Vane and Control Head: UV-Resistant ABS Wind Cups: Polycarbonate Anemometer Arm: Black-Anodized Aluminum
Connector:	Modular Connector
Accuracy:	Wind Speed: +/- 5% Wind Direction: +/- 7%
Resolution:	Wind Speed: 1mph (1 knot, 0.1 m/s, 1 km/hr) Wind Direction: 1° (0° to 355°), 22.5° between compass points
Range:	Wind Speed: 0-175 mph (150 knots, 78 m/s, 280 km/hr) Wind Direction: 0°-355° or 16 Compass Points
Cable:	12.2 meters (40 Ft)
Operating Temp:	-40°C to 65°C (-40°F to 149°F)



ALL PRODUCT, PRODUCT SPECIFICATIONS AND DATA ARE SUBJECT TO CHANGE WITHOUT NOTICE TO IMPROVE RELIABILITY, FUNCTION, DESIGN OR OTHERWISE. ... It shall be the customer's responsibility to validate that a particular product with the properties described in the product specification is suitable for use in a particular application.



Economical Rain Gauge Sensor Product Specification Sheet



Environmental Housing

UV Shiled

Fast Response Time

Instantaneous de-saturation

Chemically Resistant

Technical Specifications:

Storage Temp: -40°C to 85°C (-40°F to 185°F)

Storage Humidity: 0 to 100% RH

Humidity Measuring Range: 1-100% RH

Avg. Sensitivity: +26mV/%RH (from 33% to 75% RH)

Accuracy: +/-3%RH (10 to 95% RH)

Long Term Stability: +/-0.5%RH/y

Voltage Supply: 4.00V DC - 5.00V DC

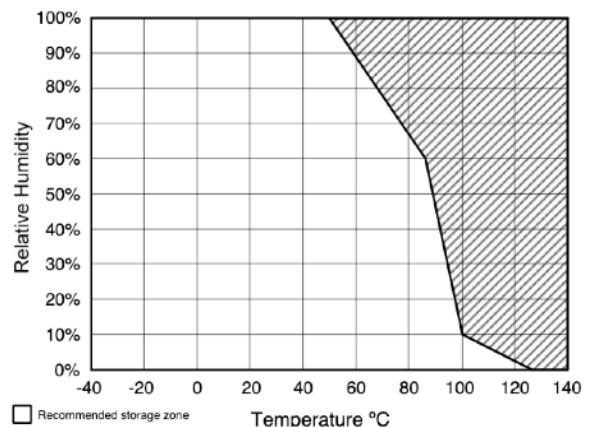
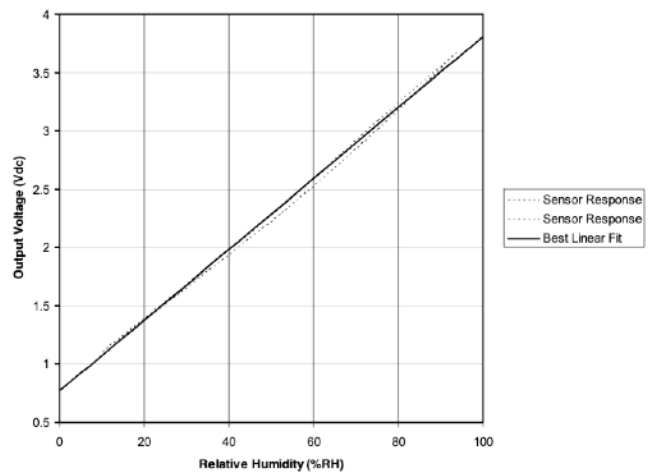
Operating Temp: -40°C to 85°C (-40°F to 185°F)

Temp. Measuring Range: -40°C to 85°C (-40°F to 185°F)

Warranty:

Measure and Monitor Humidity

The Blue Siren® Humidity Sensor detects humidity in any environment in which it is placed. The sensor is versatile for industrial, commercial and meteorological application. The Blue Siren® Humidity Sensor offers data quickly with increased accuracy.



ALL PRODUCT, PRODUCT SPECIFICATIONS AND DATA ARE SUBJECT TO CHANGE WITHOUT NOTICE TO IMPROVE RELIABILITY, FUNCTION, DESIGN OR OTHERWISE. ... It shall be the customer's responsibility to validate that a particular product with the properties described in the product specification is suitable for use in a particular application.



Economical Rain Gauge Sensor Product Specification Sheet



Meets National Weather Service Specifications

Transmits Data Up To 300ft

Capable Of Connecting Up To 3 Rain Gauge Sensors

Self Emptying

Insect/Debris Screen Provided

Technical Specifications:

Body Material: High Impact Polypropylene, UV Inhibited

Transducer: Tipping Bucket

Transducer Material: Specially Formulated Plastic For Low Surface Tension

Switch: Dry Reed Switch

Output: Less Than 0.1 Second Switch Closure

Capacity: 6 - 24V DC

Certifications: Meets National Weather Service Statistical Accuracy

Capacity: Self Emptying

Resolution: 0.01 in
0.25 mm
0.2 mm
0.1 mm

Accuracy: 1% at 0.5 in/hr

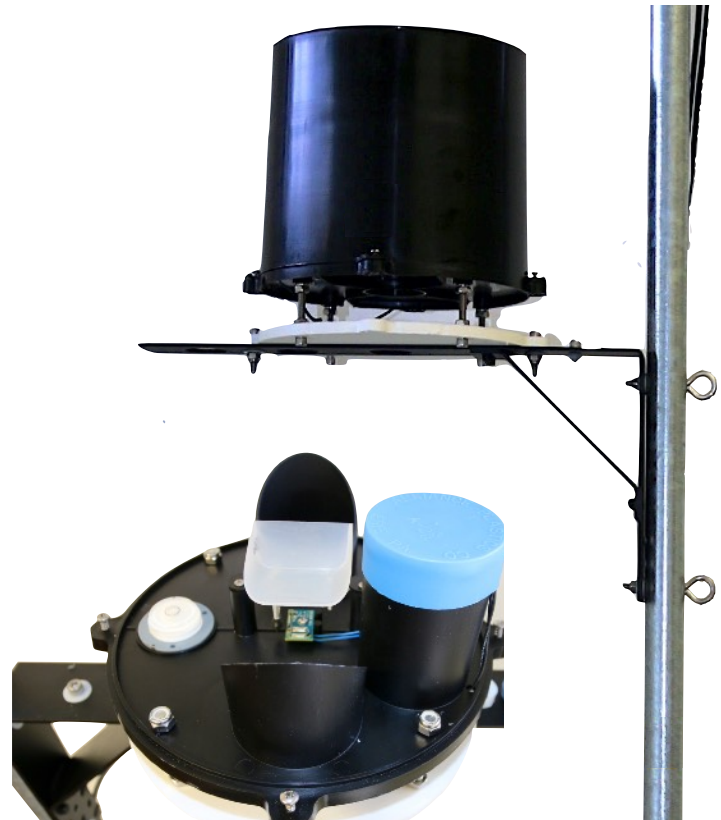
Cable: 50ft Standard

Self Emptying Rain-Gauge

Large 8" Diameter collector bucket meets NWS specifications for statistical accuracy. Every gauge is factory calibrated and tested for 1/100" increment measurements.

This specific gauge set today's rainfall monitoring standard with the original tipping bucket patent obtained in 1974.

Lab Grade Rain-gauges also available



ALL PRODUCT, PRODUCT SPECIFICATIONS AND DATA ARE SUBJECT TO CHANGE WITHOUT NOTICE TO IMPROVE RELIABILITY, FUNCTION, DESIGN OR OTHERWISE. ... It shall be the customer's responsibility to validate that a particular product with the properties described in the product specification is suitable for use in a particular application.



INDUSTRIAL 5MP VISION SENSOR

5MP Camera Sensor with High Output LED Ring

Multiple Resolution and Compression Settings

Maximum 5MP resolution

Built-in Compression

Encapsulated Electronics

Monitor With Vision®

The Blue Siren® 5MP high output LED Camera Sensor is great for thousands of applications: sewer pipes, grease clogging, inflow and infiltration problems, monitor storm grates and implement camera based infrastructure security.

Automatically store images and send them to any server or website. Subscribe to the BlueLive® Database and see your images as they upload. Sensor readings automatically correlate with image time stamps, allowing more in-depth analysis of system conditions.

The Camera Sensor is constructed using impact resistant urethane and encapsulated using optically clear epoxy. Air is fully vacuumed out of each sensor leaving no room for condensation or moisture.

Technical Specifications:

Pixel Resolution : 2592x1944 (Default), 2048x1536, 1920x1080, 1600x1200, 1280x960, 1024x768, 800x600, VGA, QVGA, 160x120

Sensor: 1/4" CMOS

Baud Rate: 115200bps (default), 19200bps, 38400bps, 57600bps, optional

Angle of View (FOV): 60 degree (default), 120/90/45/30/15/8 degree Optional

Focal Length: 3.6mm (default), 2.8mm/6mm/8mm/ 12mm/ 16mm/25mm Optional

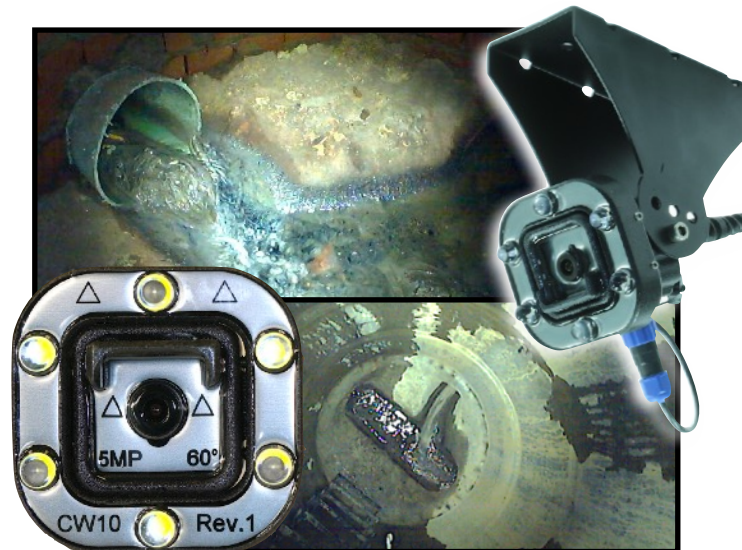
White Balance: Automatic

Operating Temperature: -4°F-140°F

Sample Rate: Minimum 1 minute

Auto Gain Control: Automatic

Exposure: Automatic



ALL PRODUCT, PRODUCT SPECIFICATIONS AND DATA ARE SUBJECT TO CHANGE WITHOUT NOTICE TO IMPROVE RELIABILITY, FUNCTION, DESIGN OR OTHERWISE. ... It shall be the customer's responsibility to validate that a particular product with the properties described in the product specification is suitable for use in a particular application.

DATA MANAGEMENT

Wireless Cloud Delivery and Data Analysis

View and Analyze Real Time Data

Automatic Delivery to Hosting Provider of your choice, DropBox®, Google Drive®, FTP, email, BlueLive®

Batch View Line and Scatter Plots

Manage Large Networks

Multiple End Users, No Additional Fees



FLEXIBLE DATA PLAN AND DELIVERY OPTIONS:

Automatically upload monitor data to BlueLive®, DropBox®, GoogleDrive®, email, or a FTP location of your choice. The internal worldwide 4G LTE wireless module supports multiple countries and cellular frequencies. In addition, WiFi connectivity options also available for infrastructure implementation. Provide your own SIM card and cellular network or have Blue Siren provide one for you. Blue Siren has low cost options on major networks such as AT&T® and Verizon Wireless®.



ALL PRODUCT, PRODUCT SPECIFICATIONS AND DATA ARE SUBJECT TO CHANGE WITHOUT NOTICE TO IMPROVE RELIABILITY, FUNCTION OR DESIGN OR OTHERWISE. ... It shall be the customer's responsibility to validate that a particular product with the properties described in the product specification is suitable for use in a particular application.