



SCADASiren™

PUMP STATION FLOW AND ENERGY MONITOR



Monitor Pump Discharge Flow and Energy Consumption

Ultrasonic Doppler Flow Sensor Included

AC , DC or Solar Power Kits

Rugged Design with Clear View Window and LCD

Optional 4G or WiFi Wireless Connectivity

SCADASiren™

The SCADASiren™ is a multi-application wall mount monitoring system with LCD and flow totalizer. Multiple SCADA output options are available including 4-20 mA, RS485, serial and analog output modules.

Optional USB allows for onsite data collection not requiring external connection to a field computer to collect data.

Automatically upload data for analysis to BlueLive® Cloud, DropBox®, GoogleDrive® or FTP location of your choice. Future proof worldwide LTE wireless module supports multiple countries and cellular frequencies, WiFi option also supported.

Built-in multi-media platform allows direct connection of our vision camera taking simultaneous pictures that correlate directly with sensor readings. Receive alarm emails with not only critical data but also images supporting the condition.

Automatically upload data for analysis to BlueLive® Cloud, DropBox®, GoogleDrive® or FTP location of your choice. Future proof worldwide LTE wireless module supports multiple countries and cellular frequencies, WiFi option also supported.

SPECIFICATION

Enclosure: 10 x 8 x 4in (HxWxD), wall mount, fiberglass reinforced polyester, gray, single-door, (2) twist-lock latches, SAR acrylic window.

Data Storage Internal Storage - 2.5 yr@15 min Sample Rate
USB - over 20 years

Total Images Internal Memory 500 (640x480) Images, USB over one million, Storage changes with image resolution"

Output: RS485, Sampler Pulse, LCD

Power: Logger: 3.3 V, Internal: 12 V, External: Max 16 V

Operating Temp. -40 to 60°C (-40 to 140°F)

Connectors: Spring Load Compression Fit

Power: Internal 12 V AC / DC Power Supply

Sample Rate: User Defined, 1 to 60 minutes

Software: Field-Siren Windows GUI, Cloud Programmable

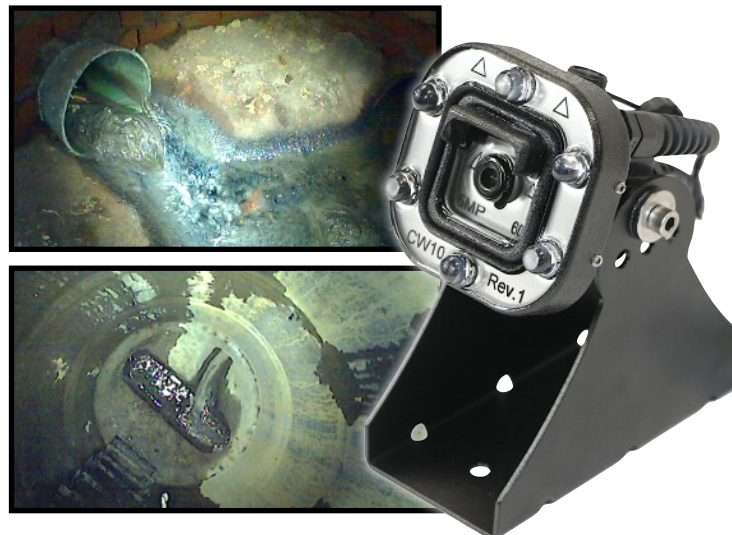
Protocol: Compressed Binary

Wireless: World Wide Cellular: 4G LTE and WiFi

Data Transfer: Blue-Live® - DropBox® - GoogleDrive® - FTP

ALL PRODUCT, PRODUCT SPECIFICATIONS AND DATA ARE SUBJECT TO CHANGE WITHOUT NOTICE TO IMPROVE RELIABILITY, FUNCTION, DESIGN OR OTHERWISE. ... It shall be the customer's responsibility to validate that a particular product with the properties described in the product specification is suitable for use in a particular application.

Monitor With Vision®





Full Pipe Flow Product Specification Sheet



LCD Display with 2 line 16 characters

4 key tactile feedback membrane keypad

Easy to install

Operates on steel, stainless steel, copper, and plastic

Full Pipe Flow

The Full-Pipe Flow Sensor sends repetitive ultrasonic waves between its upstream and downstream transducers. The difference between the time it takes for the wave to travel back and forth between the two transducers is directly proportional to the velocity of the fluid traveling through.

When placed on the pipe at a 45° angle the Full-Pipe Flow Sensor allows you to accurately measure industrial, sewage, drinking, and other fluids' velocity.

Technical Specifications:

Body Material:	Plastic Polycarbonate
Dimensions:	250mm x 48mm x 90mm (electronics + guide rail)
Timing Resolution:	+/-50ps
Flow Velocity Range:	0.1 to 10 m/s
Accuracy:	+/-3% of flow reading for velocity rate >0.3m/s
Repeatability:	+/-0.15% of measured value
Power Input:	12-24V AC or DC
Power Consumption:	7VA max.
Pulse Output:	Opto-isolated MOSFET volt free contact
Frequency Mode:	200 Hz max. (Range 1-200)
Max. Load Voltage/Current:	48V AC / 500mA
Current Output:	4 - 20mA
Current Resolution:	0.1% of full scale
Operating Temp (Electronics):	0°C to 50°C (32°F to 122°F)

ALL PRODUCT, PRODUCT SPECIFICATIONS AND DATA ARE SUBJECT TO CHANGE WITHOUT NOTICE TO IMPROVE RELIABILITY, FUNCTION, DESIGN OR OTHERWISE. ... It shall be the customer's responsibility to validate that a particular product with the properties described in the product specification is suitable for use in a particular application.





Pump Current Sensor Product Specification Sheet



Self Powered

Fire Retardant

0-5V DC Output

Compact, Easy To Wire, And Easy To Mount

Open and Closed Configuration Available

Technical Specifications:

Body Material: Fire Retardant ABS Box encased in Potting Epoxy

Dimensions: Potted Plastic Box: 3" x 1.1" x 0.4"
CT Wire Window: 14.5mm (0.570")

Accuracy: Better than 1% of full scale.

Operating Voltage: Self Powered

Input: Wire current input through CT up to calibrated range:

0-10A AC
0-25A AC
0-50A AC
0-100A AC

Output: 0-5V DC - proportional to RMS input current.
Clamped at 6V DC.

Frequency: 50 or 60 Hz

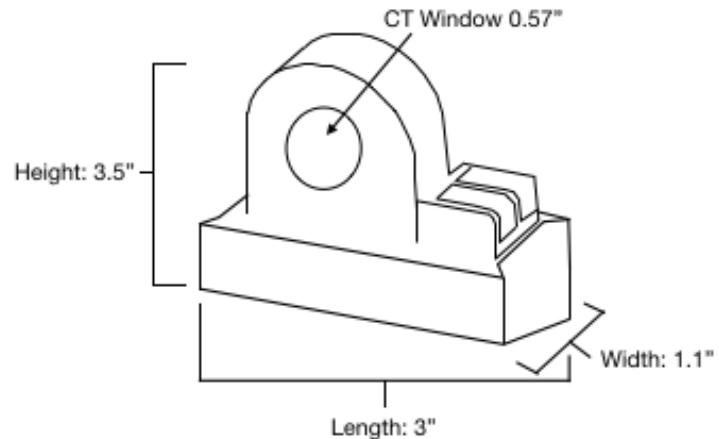
Dielectric Test: 4 KVRMS

Non-Intrusive Current

The Blue Siren® Current transducer is made to withstand moisture, dust, and vibration making it ideal for energy management applications.

There is no need to configure this current transducer saving time in the field. Simply plug into your monitor and leave the site.

Monitor Ranges from 0 to 10, 25, 50 and 100A



ALL PRODUCT, PRODUCT SPECIFICATIONS AND DATA ARE SUBJECT TO CHANGE WITHOUT NOTICE TO IMPROVE RELIABILITY, FUNCTION, DESIGN OR OTHERWISE. ... It shall be the customer's responsibility to validate that a particular product with the properties described in the product specification is suitable for use in a particular application.



INDUSTRIAL 5MP VISION SENSOR

5MP Camera Sensor with High Output LED Ring

Multiple Resolution and Compression Settings

Maximum 5MP resolution

Built-in Compression

Encapsulated Electronics

Monitor With Vision®

The Blue Siren® 5MP high output LED Camera Sensor is great for thousands of applications: sewer pipes, grease clogging, inflow and infiltration problems, monitor storm grates and implement camera based infrastructure security.

Automatically store images and send them to any server or website. Subscribe to the BlueLive® Database and see your images as they upload. Sensor readings automatically correlate with image time stamps, allowing more in-depth analysis of system conditions.

The Camera Sensor is constructed using impact resistant urethane and encapsulated using optically clear epoxy. Air is fully vacuumed out of each sensor leaving no room for condensation or moisture.

Technical Specifications:

Pixel Resolution : 2592x1944 (Default), 2048x1536, 1920x1080, 1600x1200, 1280x960, 1024x768, 800x600, VGA, QVGA, 160x120

Sensor: 1/4" CMOS

Baud Rate: 115200bps (default), 19200bps, 38400bps, 57600bps, optional

Angle of View (FOV): 60 degree (default), 120/90/45/30/15/8 degree Optional

Focal Length: 3.6mm (default), 2.8mm/6mm/8mm/ 12mm/ 16mm/25mm Optional

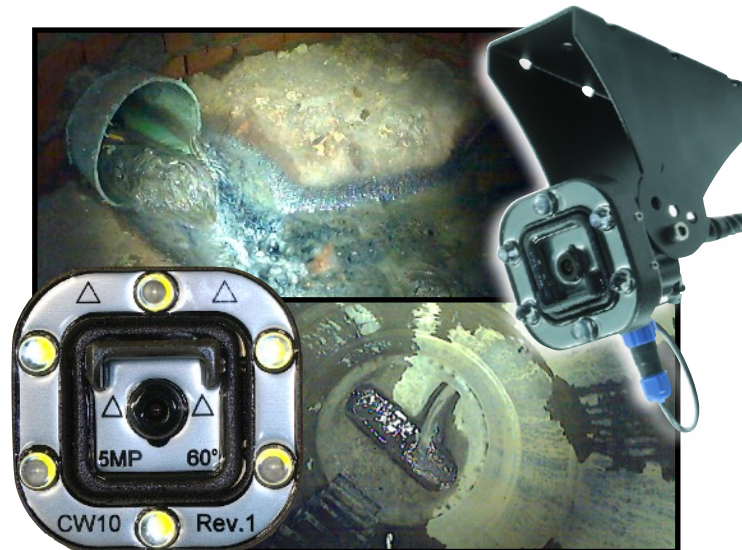
White Balance: Automatic

Operating Temperature: -4°F-140°F

Sample Rate: Minimum 1 minute

Auto Gain Control: Automatic

Exposure: Automatic



ALL PRODUCT, PRODUCT SPECIFICATIONS AND DATA ARE SUBJECT TO CHANGE WITHOUT NOTICE TO IMPROVE RELIABILITY, FUNCTION, DESIGN OR OTHERWISE. ... It shall be the customer's responsibility to validate that a particular product with the properties described in the product specification is suitable for use in a particular application.

DATA MANAGEMENT

Wireless Cloud Delivery and Data Analysis

View and Analyze Real Time Data

Automatic Delivery to Hosting Provider of your choice, DropBox®, Google Drive®, FTP, email, BlueLive®

Batch View Line and Scatter Plots

Manage Large Networks

Multiple End Users, No Additional Fees



FLEXIBLE DATA PLAN AND DELIVERY OPTIONS:

Automatically upload monitor data to BlueLive®, DropBox®, GoogleDrive®, email, or a FTP location of your choice. The internal worldwide 4G LTE wireless module supports multiple countries and cellular frequencies. In addition, WiFi connectivity options also available for infrastructure implementation. Provide your own SIM card and cellular network or have Blue Siren provide one for you. Blue Siren has low cost options on major networks such as AT&T® and Verizon Wireless®.



ALL PRODUCT, PRODUCT SPECIFICATIONS AND DATA ARE SUBJECT TO CHANGE WITHOUT NOTICE TO IMPROVE RELIABILITY, FUNCTION OR DESIGN OR OTHERWISE. ... It shall be the customer's responsibility to validate that a particular product with the properties described in the product specification is suitable for use in a particular application.