



FLOWSiren® PRO

RADAR LEVEL FLOW KIT WIRELESS FLOWMETER



Wireless Commercial Grade Portable Flowmeter with Integrated Multimedia Vision Technology

Accurate Radar Level Wireless Monitoring Solution

Connect Multiple Sensors, up to 20 Channels

Waterproof, Impact Resistant HDPE, UR Enclosure

Lightweight, Portable Compact Design

Modular Wireless Design allows 4G or WiFi Connectivity

FLOWSiren® - Get PRO

The FLOWsiren® is a multi-sensor autonomous wireless monitoring platform designed to work in the harshest conditions, delivering data to your desk every time. The built-in multi-media platform allows direct connection of our vision camera taking simultaneous pictures that correlate directly with sensor readings. Receive alarm emails with images showing the event details and severity.

Automatically upload data for analysis to BlueLive® Cloud, DropBox®, GoogleDrive® or FTP location of your choice. Future proof worldwide LTE wireless module supports multiple countries and cellular frequencies, WiFi option also supported.

Dimensions: 7 X 7 X 9 in.
Base unit without Auxiliary Sensor Module or Battery

Weight: 10 lbs.

Enclosure: HDPE, UR, EP materials

Rating: Fully encapsulated enclosure can be submerged for up to 2 hours under 1m of water

Power: Logger Input: 3.3V DC
Sensor Input: 5, 10 and 12V DC Battery Packs

Battery: Alkaline or Rechargeable Battery Packs Available

Input: Up to 20 Sensor Channels

Data Storage: Internal Flash Memory, 88000 Sensor Readings and 8 MG of OB flash images, Optional USB allows for Gigabytes of storage of images and data.

Sampling Rate: User Defined: 1 Minute Minimum (Standard)
1 Second Minimum (Optional)

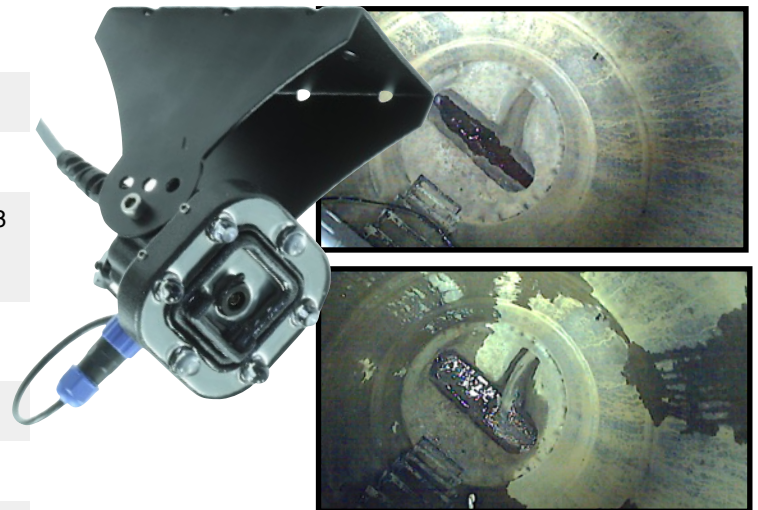
Alarming: User Defined Data Point Threshold

Wireless: 4G LTE Worldwide Cellular Modem or WiFi

Software Interface: FieldSIREN™ Proprietary Field Software (Included free with every purchase.)

Data Interface: BlueLive® Cloud Based Big Data Hosting, FTP, Drop Box®, Google Drive®

Output Options: RS485, LCD, Flow and Alarm Pulse



Monitor with Vision®

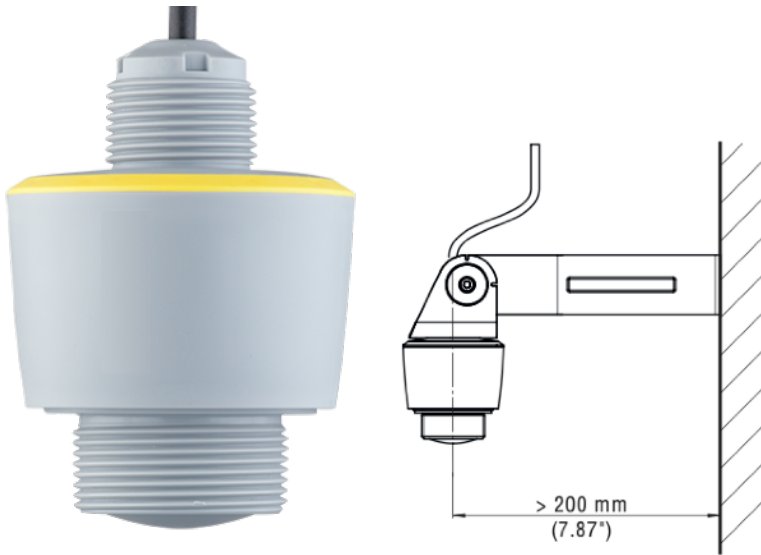
Each FLOWsiren® monitor has a standardized camera port allowing you to monitor with vision® at any time. Great for overflow verification, industrial trade waste color, and Infiltration detection. Camera resolution can range from 5MP all the way down to 0.1MP, complete with user programmable compression.



ALL PRODUCT, PRODUCT SPECIFICATIONS AND DATA ARE SUBJECT TO CHANGE WITHOUT NOTICE TO IMPROVE RELIABILITY, FUNCTION, DESIGN OR OTHERWISE. ... It shall be the customer's responsibility to validate that a particular product with the properties described in the product specification is suitable for use in a particular application.

LR50 RADAR LEVEL

Product Specification Sheet



80 GHz technology

50ft Long range Accuracy with Resolution 1 mm

Zero (0) Dead Band

Rugged PVDF Material

Fast Response Time Saves Battery Life

LR50 RADAR LEVEL

Designed for use in water and wastewater applications, the LR50 radar sensor is our number one choice for non-contact level measurement. 80GHz radar technology is more reliable than conventional ultrasonic and leads to a more maintenance free operation.

Easily installed on a bracket, the LR50 can be mounted in manholes, pump stations, wet wells, bridges and other open channel level applications.

Long Range sensing technology will measure up to 50ft with a 0.07" accuracy.

Dimensions: Diam. 3" X 4.28"

Range: 0 to 15m ~ 50ft

Accuracy: 2 mm ~ 0.07 in

ENV Rating: IP66/IP68 (3 bar) acc. to IEC 60529, Type 6P acc. to UL 50

Beam Angle: 8°

Transducer: Radar

Material: PVDF

Response Time: ~ 3 seconds

W-band: 80 GHz technology

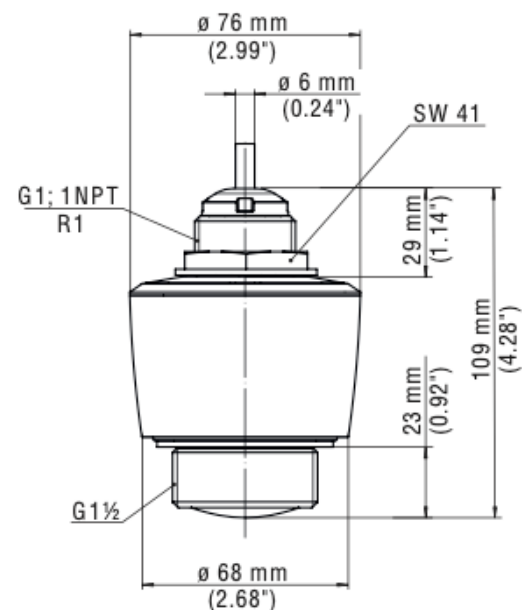
Resolution: 1mm (0.039in)

Blocking Distance: 0 mm (0 in)

SetUp: Bluetooth

Temperature: -40 to 80 C

Certifications: ATEX/IEC/c-FM-us/c-CSA-us; gas, intrinsic safety, Zone 0, 0/1, 1, 2 (Class I Division 1, 2) + Dust, intrinsic safety, Zone 20, 20/21, 21, 22 (Class II, III Division 1, 2)



ALL PRODUCT, PRODUCT SPECIFICATIONS AND DATA ARE SUBJECT TO CHANGE WITHOUT NOTICE TO IMPROVE RELIABILITY, FUNCTION, DESIGN OR OTHERWISE. ... It shall be the customer's responsibility to validate that a particular product with the properties described in the product specification is suitable for use in a particular application.



INDUSTRIAL 5MP VISION SENSOR

5MP Camera Sensor with High Output LED Ring

Multiple Resolution and Compression Settings

Maximum 5MP resolution

Built-in Compression

Encapsulated Electronics

Monitor With Vision®

The Blue Siren® 5MP high output LED Camera Sensor is great for thousands of applications: sewer pipes, grease clogging, inflow and infiltration problems, monitor storm grates and implement camera based infrastructure security.

Automatically store images and send them to any server or website. Subscribe to the BlueLive® Database and see your images as they upload. Sensor readings automatically correlate with image time stamps, allowing more in-depth analysis of system conditions.

The Camera Sensor is constructed using impact resistant urethane and encapsulated using optically clear epoxy. Air is fully vacuumed out of each sensor leaving no room for condensation or moisture.

Technical Specifications:

Pixel Resolution : 2592x1944 (Default), 2048x1536, 1920x1080, 1600x1200, 1280x960, 1024x768, 800x600, VGA, QVGA, 160x120

Sensor: 1/4" CMOS

Baud Rate: 115200bps (default), 19200bps, 38400bps, 57600bps, optional

Angle of View (FOV): 60 degree (default), 120/90/45/30/15/8 degree Optional

Focal Length: 3.6mm (default), 2.8mm/6mm/8mm/ 12mm/ 16mm/25mm Optional

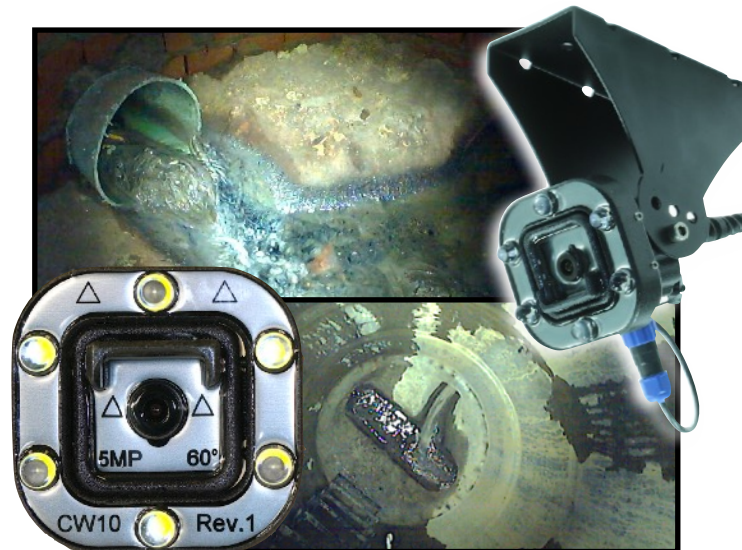
White Balance: Automatic

Operating Temperature: -4°F-140°F

Sample Rate: Minimum 1 minute

Auto Gain Control: Automatic

Exposure: Automatic



ALL PRODUCT, PRODUCT SPECIFICATIONS AND DATA ARE SUBJECT TO CHANGE WITHOUT NOTICE TO IMPROVE RELIABILITY, FUNCTION, DESIGN OR OTHERWISE. ... It shall be the customer's responsibility to validate that a particular product with the properties described in the product specification is suitable for use in a particular application.

DATA MANAGEMENT

Wireless Cloud Delivery and Data Analysis

View and Analyze Real Time Data

Automatic Delivery to Hosting Provider of your choice, DropBox®, Google Drive®, FTP, email, BlueLive®

Batch View Line and Scatter Plots

Manage Large Networks

Multiple End Users, No Additional Fees



FLEXIBLE DATA PLAN AND DELIVERY OPTIONS:

Automatically upload monitor data to BlueLive®, DropBox®, GoogleDrive®, email, or a FTP location of your choice. The internal worldwide 4G LTE wireless module supports multiple countries and cellular frequencies. In addition, WiFi connectivity options also available for infrastructure implementation. Provide your own SIM card and cellular network or have Blue Siren provide one for you. Blue Siren has low cost options on major networks such as AT&T® and Verizon Wireless®.

Graphical Analysis	Line Graph Batch Analysis	Scatter Plot Batch Analysis	Data Export	Wiifit Export	GIS Analytics	Monitor Map	Wireless Report	Alarm Report	Alarm Setup	Email Config	Data Upload	Settings	Site Info
<h4>Multi-Layered Line Graphs</h4>						<h4>Batch Report and ScatterPlots</h4>							
<h4>GIS, Google Maps, and Spatial Analysis Tools</h4>						<h4>Image vs Data Correlation and TimeLapse</h4>							

ALL PRODUCT, PRODUCT SPECIFICATIONS AND DATA ARE SUBJECT TO CHANGE WITHOUT NOTICE TO IMPROVE RELIABILITY, FUNCTION OR DESIGN OR OTHERWISE. ... It shall be the customer's responsibility to validate that a particular product with the properties described in the product specification is suitable for use in a particular application.