

# BLUESIREN®

Monitor with Vision®

# FLOWSiren® PRO

## NON-CONTACT RADAR FLOW WIRELESS FLOWMETER

Wireless Commercial Grade Portable Flowmeter with Integrated Multimedia Vision Technology

Accurate Radar Level Wireless Monitoring Solution

Connect Multiple Sensors, up to 20 Channels

Waterproof, Impact Resistant HDPE, UR Enclosure

Full Face Radar Velocity Antenna

Modular Wireless Design allows 4G or WiFi Connectivity

### FLOWSiren® - Get PRO

The FLOWsiren® is a multi-sensor autonomous wireless monitoring platform designed to work in the harshest conditions, delivering data to your desk every time. The built-in multi-media platform allows direct connection of our vision camera taking simultaneous pictures that correlate directly with sensor readings. Receive alarm emails with images showing the event details and severity.

Automatically upload data for analysis to BlueLive® Cloud, DropBox®, GoogleDrive® or FTP location of your choice. Future proof worldwide LTE wireless module supports multiple countries and cellular frequencies, WiFi option also supported.

Dimensions: 7 X 7 X 9 in.  
Base unit without Auxiliary Sensor Module or Battery

Weight: 10 lbs.

Enclosure: HDPE, UR, EP materials

Rating: Fully encapsulated enclosure can be submerged for up to 2 hours under 1m of water

Power: Logger Input: 3.3V DC  
Sensor Input: 5, 10 and 12V DC Battery Packs

Battery: Alkaline or Rechargeable Battery Packs Available

Input: Up to 20 Sensor Channels

Data Storage: Internal Flash Memory, 88000 Sensor Readings and 8 MG of OB flash images, Optional USB allows for Gigabytes of storage of images and data.

Sampling Rate: User Defined: 1 Minute Minimum (Standard)  
1 Second Minimum (Optional)

Alarming: User Defined Data Point Threshold

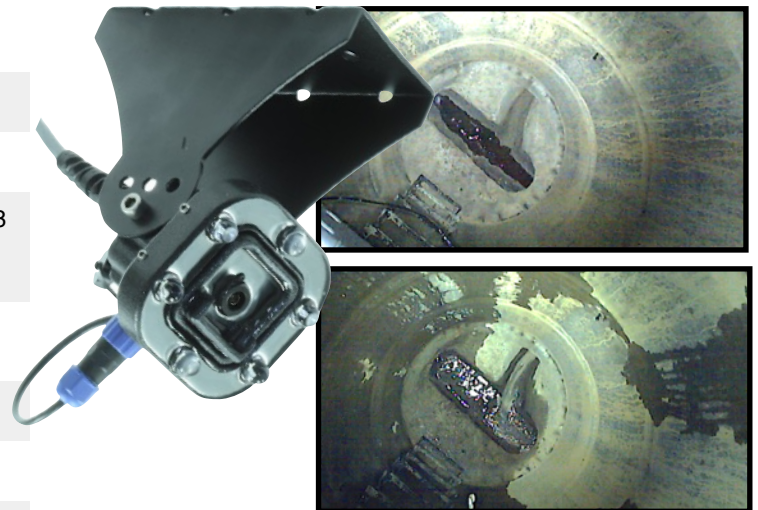
Wireless: 4G LTE Worldwide Cellular Modem or WiFi

Software Interface: FieldSIREN™ Proprietary Field Software (Included free with every purchase.)

Data Interface: BlueLive® Cloud Based Big Data Hosting, FTP, Drop Box®, Google Drive®

Output Options: RS485, LCD, Flow and Alarm Pulse

ALL PRODUCT, PRODUCT SPECIFICATIONS AND DATA ARE SUBJECT TO CHANGE WITHOUT NOTICE TO IMPROVE RELIABILITY, FUNCTION, DESIGN OR OTHERWISE. ... It shall be the customer's responsibility to validate that a particular product with the properties described in the product specification is suitable for use in a particular application.



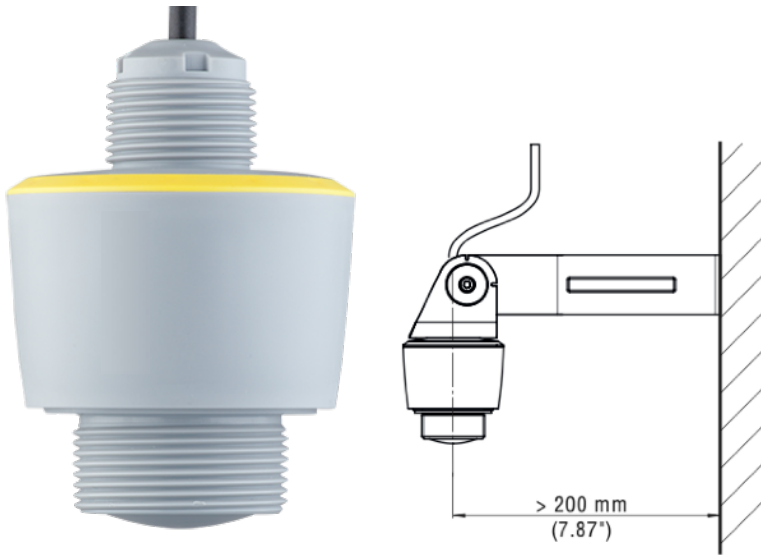
### Monitor with Vision®

Each FLOWsiren® monitor has a standardized camera port allowing you to monitor with vision® at any time. Great for overflow verification, industrial trade waste color, and Infiltration detection. Camera resolution can range from 5MP all the way down to 0.1MP, complete with user programmable compression.



# LR50 RADAR LEVEL

## Product Specification Sheet



80 GHz technology

50ft Long range Accuracy with Resolution 1 mm

Zero (0) Dead Band

Rugged PVDF Material

Fast Response Time Saves Battery Life

### LR50 RADAR LEVEL

Designed for use in water and wastewater applications, the LR50 radar sensor is our number one choice for non-contact level measurement. 80GHz radar technology is more reliable than conventional ultrasonic and leads to a more maintenance free operation.

Easily installed on a bracket, the LR50 can be mounted in manholes, pump stations, wet wells, bridges and other open channel level applications.

Long Range sensing technology will measure up to 50ft with a 0.07" accuracy.

Dimensions: Diam. 3" X 4.28"

Range: 0 to 15m ~ 50ft

Accuracy: 2 mm ~ 0.07 in

ENV Rating: IP66/IP68 (3 bar) acc. to IEC 60529, Type 6P acc. to UL 50

Beam Angle: 8°

Transducer: Radar

Material: PVDF

Response Time: ~ 3 seconds

W-band: 80 GHz technology

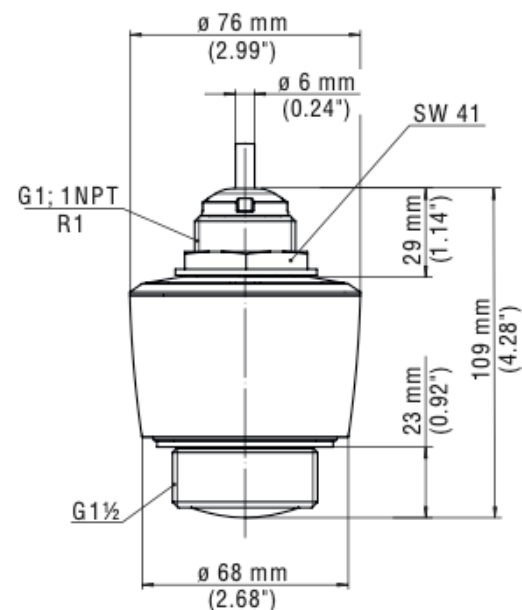
Resolution: 1mm (0.039in)

Blocking Distance: 0 mm (0 in)

SetUp: Bluetooth

Temperature: -40 to 80 C

Certifications: ATEX/IEC/c-FM-us/c-CSA-us; gas, intrinsic safety, Zone 0, 0/1, 1, 2 (Class I Division 1, 2) + Dust, intrinsic safety, Zone 20, 20/21, 21, 22 (Class II, III Division 1, 2)



ALL PRODUCT, PRODUCT SPECIFICATIONS AND DATA ARE SUBJECT TO CHANGE WITHOUT NOTICE TO IMPROVE RELIABILITY, FUNCTION, DESIGN OR OTHERWISE. ... It shall be the customer's responsibility to validate that a particular product with the properties described in the product specification is suitable for use in a particular application.

# Industrial Non-Contact Surface Velocity Radar Sensor Product Specification Sheet



Weight:	1.75lbs
Dimensions:	H= 6.125" W= 6.5" D= 1.5"
Frame Material:	ABS Polycarbonate Blend
Ambient Operating Temp. Range:	-30°C to 70°C (-22°F to 158°F)
Available Frequencies:	24.075 GHz - 24.175 GHz
Speed Measurements:	0.1 to 65 - feet-per-second (fps) 0.1 to 20 - meters-per-second (m/s)
Speed Range:	0.1-65 fps (0.1-20 m/s) 0.1-45 mph (0.1-70 km/h)
Accuracy	"100% accurate with a resolution of $\pm 0.10$ unit of measure. ( $\pm 0.10$ mph), ( $\pm 0.10$ km/h), ( $\pm 0.10$ feet-per-second) ( $\pm 0.10$ meters-per-second) "
Maximum Humidity:	100%
Power Output (EIRP):	+20 dBm
Angle:	Includes cosine correction, allowing the unit to compensate for vertical and horizontal angles

Directional - Toward, Away, or Both

Compact Size

Narrow Beam Width

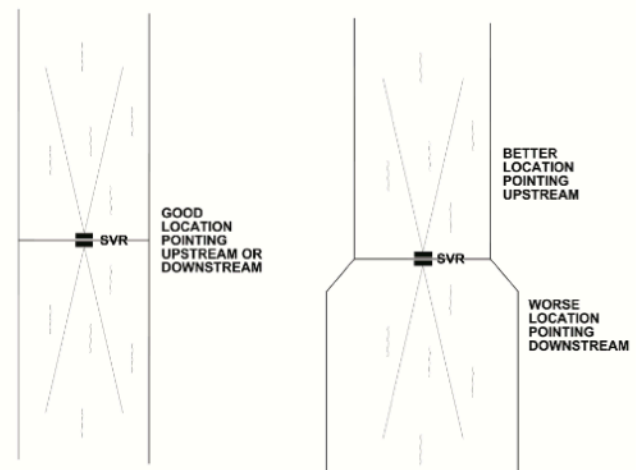
High Speed 24 GHz Sensor

Large Velocity Range 0 to 20 m/s approx. 60ft/s

## Non-Contact Surface Velocity Sensor

SVR Surface Velocity sensor is designed to allow scientists to determine the surface velocity of water in open channels without having to install a sensor in the flow stream. Providing precise speed measurement from a stationary position outside the body of water this is an ideal sensor for hard to reach areas.

The sensor is extremely valuable for measuring water surface velocity during high-velocity flows and flood conditions where using contact measurement instruments poses a safety risk.



ALL PRODUCT, PRODUCT SPECIFICATIONS AND DATA ARE SUBJECT TO CHANGE WITHOUT NOTICE TO IMPROVE RELIABILITY, FUNCTION, DESIGN OR OTHERWISE. ... It shall be the customer's responsibility to validate that a particular product with the properties described in the product specification is suitable for use in a particular application.



# INDUSTRIAL 5MP VISION SENSOR

5MP Camera Sensor with High Output LED Ring

Multiple Resolution and Compression Settings

Maximum 5MP resolution

Built-in Compression

Encapsulated Electronics

## Monitor With Vision®

The Blue Siren® 5MP high output LED Camera Sensor is great for thousands of applications: sewer pipes, grease clogging, inflow and infiltration problems, monitor storm grates and implement camera based infrastructure security.

Automatically store images and send them to any server or website. Subscribe to the BlueLive® Database and see your images as they upload. Sensor readings automatically correlate with image time stamps, allowing more in-depth analysis of system conditions.

The Camera Sensor is constructed using impact resistant urethane and encapsulated using optically clear epoxy. Air is fully vacuumed out of each sensor leaving no room for condensation or moisture.

## Technical Specifications:

Pixel Resolution : 2592x1944 (Default), 2048x1536, 1920x1080, 1600x1200, 1280x960, 1024x768, 800x600, VGA, QVGA, 160x120

Sensor: 1/4" CMOS

Baud Rate: 115200bps (default), 19200bps, 38400bps, 57600bps, optional

Angle of View (FOV): 60 degree (default), 120/90/45/30/15/8 degree Optional

Focal Length: 3.6mm (default), 2.8mm/6mm/8mm/ 12mm/ 16mm/25mm Optional

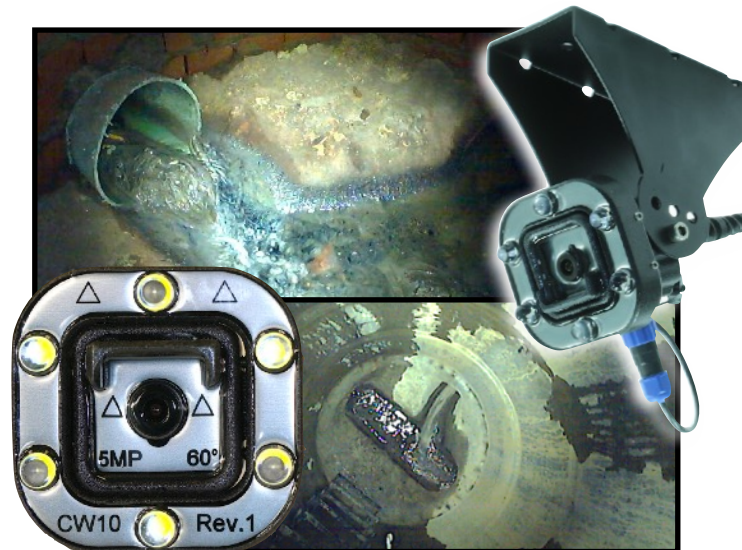
White Balance: Automatic

Operating Temperature: -4°F-140°F

Sample Rate: Minimum 1 minute

Auto Gain Control: Automatic

Exposure: Automatic



ALL PRODUCT, PRODUCT SPECIFICATIONS AND DATA ARE SUBJECT TO CHANGE WITHOUT NOTICE TO IMPROVE RELIABILITY, FUNCTION, DESIGN OR OTHERWISE. ... It shall be the customer's responsibility to validate that a particular product with the properties described in the product specification is suitable for use in a particular application.

# DATA MANAGEMENT

## Wireless Cloud Delivery and Data Analysis

*View and Analyze Real Time Data*

*Automatic Delivery to Hosting Provider of your choice, DropBox®, Google Drive®, FTP, email, BlueLive®*

*Batch View Line and Scatter Plots*

*Manage Large Networks*

*Multiple End Users, No Additional Fees*



### FLEXIBLE DATA PLAN AND DELIVERY OPTIONS:

Automatically upload monitor data to BlueLive®, DropBox®, GoogleDrive®, email, or a FTP location of your choice. The internal worldwide 4G LTE wireless module supports multiple countries and cellular frequencies. In addition, WiFi connectivity options also available for infrastructure implementation. Provide your own SIM card and cellular network or have Blue Siren provide one for you. Blue Siren has low cost options on major networks such as AT&T® and Verizon Wireless®.

Graphical Analysis	Line Graph Batch Analysis	Scatter Plot Batch Analysis	Data Export	Wiifat Export	GIS Analytics	Monitor Map	Wireless Report	Alarm Report	Alarm Setup	Email Config	Data Upload	Settings	Site Info
<b>Multi-Layered Line Graphs</b>						<b>Batch Report and ScatterPlots</b>							
<b>GIS, Google Maps, and Spatial Analysis Tools</b>						<b>Image vs Data Correlation and TimeLapse</b>							

ALL PRODUCT, PRODUCT SPECIFICATIONS AND DATA ARE SUBJECT TO CHANGE WITHOUT NOTICE TO IMPROVE RELIABILITY, FUNCTION OR DESIGN OR OTHERWISE. ... It shall be the customer's responsibility to validate that a particular product with the properties described in the product specification is suitable for use in a particular application.