



FLOWSiren® PRO

AUTO-CAL-AV FLOW KIT WIRELESS FLOWMETER



Wireless Commercial Grade Portable Flowmeter with Integrated Multimedia Vision Technology

Auto-Calibration Algorithm

Connect Multiple Sensors, up to 20 Channels

Waterproof, Impact Resistant HDPE, UR Enclosure

Lightweight, Portable Compact Design

Modular Wireless Design allows 4G or WiFi Connectivity

FLOWsiren® - Get PRO

The FLOWsiren® is a multi-sensor autonomous wireless monitoring platform designed to work in the harshest conditions, delivering data to your desk every time. The built-in multi-media platform allows direct connection of our vision camera taking simultaneous pictures that correlate directly with sensor readings. Receive alarm emails with images showing the event details and severity.

Automatically upload data for analysis to BlueLive® Cloud, DropBox®, GoogleDrive® or FTP location of your choice. Future proof worldwide LTE wireless module supports multiple countries and cellular frequencies, WiFi option also supported.

Dimensions: 7 X 7 X 9 in.
Base unit without Auxiliary Sensor Module or Battery

Weight: 10 lbs.

Enclosure: HDPE, UR, EP materials

Rating: Fully encapsulated enclosure can be submerged for up to 2 hours under 1m of water

Power: Logger Input: 3.3V DC
Sensor Input: 5, 10 and 12V DC Battery Packs

Battery: Alkaline or Rechargeable Battery Packs Available

Input: Up to 20 Sensor Channels

Data Storage: Internal Flash Memory, 88000 Sensor Readings and 8 MG of OB flash images, Optional USB allows for Gigabytes of storage of images and data.

Sampling Rate: User Defined: 1 Minute Minimum (Standard)
1 Second Minimum (Optional)

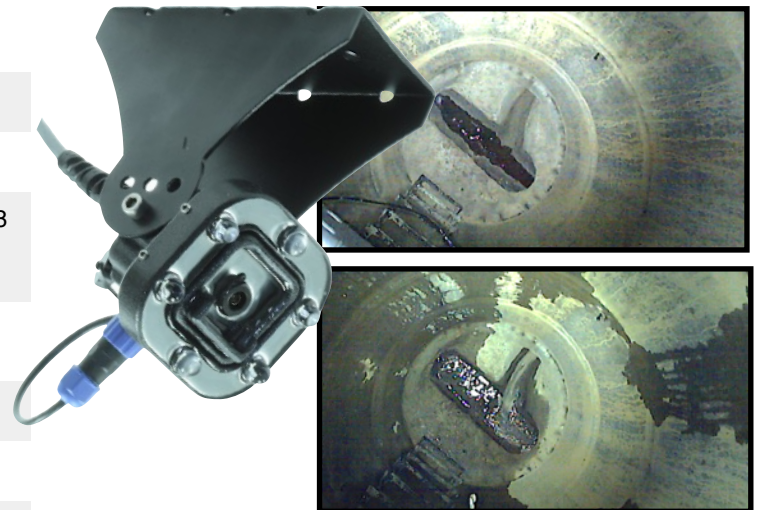
Alarming: User Defined Data Point Threshold

Wireless: 4G LTE Worldwide Cellular Modem or WiFi

Software Interface: FieldSIREN™ Proprietary Field Software (Included free with every purchase.)

Data Interface: BlueLive® Cloud Based Big Data Hosting, FTP, Drop Box®, Google Drive®

Output Options: RS485, LCD, Flow and Alarm Pulse



Monitor with Vision®

Each FLOWsiren® monitor has a standardized camera port allowing you to monitor with vision® at any time. Great for overflow verification, industrial trade waste color, and Infiltration detection. Camera resolution can range from 5MP all the way down to 0.1MP, complete with user programmable compression.



ALL PRODUCT, PRODUCT SPECIFICATIONS AND DATA ARE SUBJECT TO CHANGE WITHOUT NOTICE TO IMPROVE RELIABILITY, FUNCTION, DESIGN OR OTHERWISE. ... It shall be the customer's responsibility to validate that a particular product with the properties described in the product specification is suitable for use in a particular application.

AV Flow Sensor

DUAL-WAVE

Ultrasonic Doppler Velocity

Fully Submersible

Dual-Wave Doppler Technology

Averaging Algorithms Applied

Doppler frequency is proportional to the speed of water in m/s

Dual-Wave Velocity

The Blue Siren Dual-Wave Velocity (AV) Sensor uses the Doppler effect to measure velocity using acoustic technology.

This AV sensor contains both pressure-depth and velocity sensors that are highly sensitive and accurate and provide you with data you can count on.

All electronics are encapsulated within the sensor housing.

Velocity is output via serial digital data stream and depth is output via an analog 0-5V signal.

Dual Wave Technology utilizes dual transmitters, filling the flow stream with more sound waves, reaching a greater acoustic profile.

Pressure: 30ft (10m) 15 PSI or 10ft (3m) 5 PSI

Accuracy: +/- 2% Laminar Flow

Input Voltage: 6-16V DC

Warmup Time: 2 seconds minimum

Resolution: 1 mm/s or 1 Hz/sec

Range: 0 to +10m/s (-6m/s optional)

Cable: 7.62m (25ft) Standard

Response Time: 4 digital samples/second

Serial Output: UART - TTL, RS485, Hz

Baud Rate: 4800

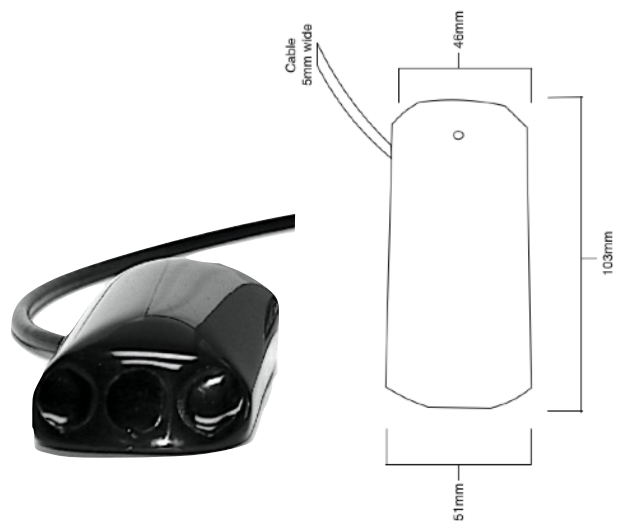
Depth Output: 0 - 5V

Depth Accuracy: 5PSI (+-) 1mm or 15PSI (+-) 2mm

Burst Height: > 100ft (15PSI)

Redundancy: Multiple Sensors can be used simultaneously using Dual Wave technology

Linearity: +/- 0.15%



ALL PRODUCT, PRODUCT SPECIFICATIONS AND DATA ARE SUBJECT TO CHANGE WITHOUT NOTICE TO IMPROVE RELIABILITY, FUNCTION, DESIGN OR OTHERWISE. ... It shall be the customer's responsibility to validate that a particular product with the properties described in the product specification is suitable for use in a particular application.



Technical Specifications:

Body Material: Rugged PVC Construction

Accuracy: +/- 0.1% of Target Range

Beam Angle: 50° Conical

Operating Voltage: 12V DC

Temp. Compensation: Yes

Range: 1 inch (25mm) to 5 feet (1.5m)

Target Detection: Dead-Band: 1 in (25mm)
Maximum Range: 5 ft (1.5m)

Response Time: 60 mS

Sampling Rate: 0.1Hz to 20Hz in 0.1Hz increments
Factory Default: 10Hz

Temperature Range °C: -40°C to 70°C

Relative Humidity: 0 to 95%, non-condensing

Enclosure Rating: IP68

ALL PRODUCT, PRODUCT SPECIFICATIONS AND DATA ARE SUBJECT TO CHANGE WITHOUT NOTICE TO IMPROVE RELIABILITY, FUNCTION, DESIGN OR OTHERWISE. ... It shall be the customer's responsibility to validate that a particular product with the properties described in the product specification is suitable for use in a particular application.

Industrial Short Range Ultrasonic Level Sensor Product Specification Sheet

Measure Low Flow Depths in Pipes

Pre-Calibrated for Water Level Detection

Near Zero Dead Band (1" to 5") Range

Submersible Design

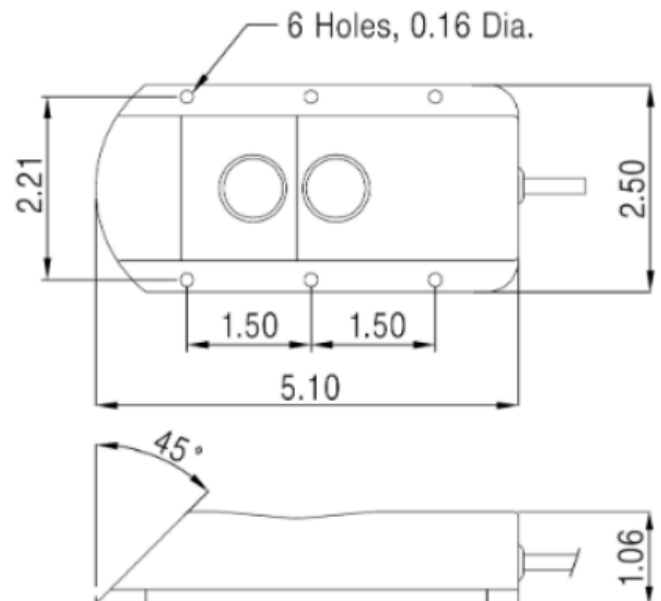
Smart Signal vs Level Detection and Correction when used with Blue Siren Loggers.

Measure Low Flow and other Level In Pipes and Constricted Spaces

High-Resolution, Submersible, In-Pipe Ultrasonic Level complete with 25ft cable. Great for measuring low flow depth that require a true resolution and accuracy of 1mm.

Low profile ultrasonic transmitter modules are optimized to provide continuous non-contact distance measurement of fluids in constrained working zones for application ranges from 1 inch (25 mm) to 5 feet (1.5 m).

All sensors provide precision measurement for wastewater and water flow with non-uniform surfaces by incorporating state-of-the-art dual-transducer ultrasonic technology and processing algorithms.





INDUSTRIAL 5MP VISION SENSOR

5MP Camera Sensor with High Output LED Ring

Multiple Resolution and Compression Settings

Maximum 5MP resolution

Built-in Compression

Encapsulated Electronics

Monitor With Vision®

The Blue Siren® 5MP high output LED Camera Sensor is great for thousands of applications: sewer pipes, grease clogging, inflow and infiltration problems, monitor storm grates and implement camera based infrastructure security.

Automatically store images and send them to any server or website. Subscribe to the BlueLive® Database and see your images as they upload. Sensor readings automatically correlate with image time stamps, allowing more in-depth analysis of system conditions.

The Camera Sensor is constructed using impact resistant urethane and encapsulated using optically clear epoxy. Air is fully vacuumed out of each sensor leaving no room for condensation or moisture.

Technical Specifications:

Pixel Resolution : 2592x1944 (Default), 2048x1536, 1920x1080, 1600x1200, 1280x960, 1024x768, 800x600, VGA, QVGA, 160x120

Sensor: 1/4" CMOS

Baud Rate: 115200bps (default), 19200bps, 38400bps, 57600bps, optional

Angle of View (FOV): 60 degree (default), 120/90/45/30/15/8 degree Optional

Focal Length: 3.6mm (default), 2.8mm/6mm/8mm/ 12mm/ 16mm/25mm Optional

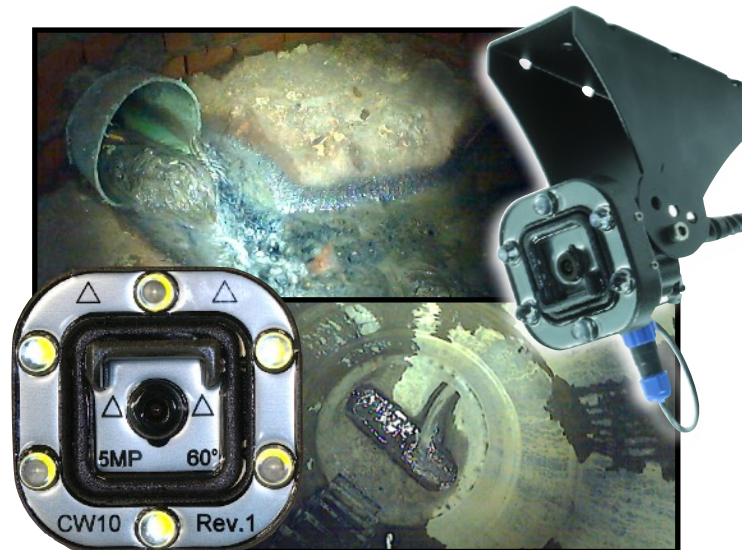
White Balance: Automatic

Operating Temperature: -4°F-140°F

Sample Rate: Minimum 1 minute

Auto Gain Control: Automatic

Exposure: Automatic



ALL PRODUCT, PRODUCT SPECIFICATIONS AND DATA ARE SUBJECT TO CHANGE WITHOUT NOTICE TO IMPROVE RELIABILITY, FUNCTION, DESIGN OR OTHERWISE. ... It shall be the customer's responsibility to validate that a particular product with the properties described in the product specification is suitable for use in a particular application.

DATA MANAGEMENT

Wireless Cloud Delivery and Data Analysis

View and Analyze Real Time Data

Automatic Delivery to Hosting Provider of your choice, DropBox®, Google Drive®, FTP, email, BlueLive®

Batch View Line and Scatter Plots

Manage Large Networks

Multiple End Users, No Additional Fees



FLEXIBLE DATA PLAN AND DELIVERY OPTIONS:

Automatically upload monitor data to BlueLive®, DropBox®, GoogleDrive®, email, or a FTP location of your choice. The internal worldwide 4G LTE wireless module supports multiple countries and cellular frequencies. In addition, WiFi connectivity options also available for infrastructure implementation. Provide your own SIM card and cellular network or have Blue Siren provide one for you. Blue Siren has low cost options on major networks such as AT&T® and Verizon Wireless®.



ALL PRODUCT, PRODUCT SPECIFICATIONS AND DATA ARE SUBJECT TO CHANGE WITHOUT NOTICE TO IMPROVE RELIABILITY, FUNCTION OR DESIGN OR OTHERWISE. ... It shall be the customer's responsibility to validate that a particular product with the properties described in the product specification is suitable for use in a particular application.