



Dimensions: (Approximately) L: 12in W: 10in D: 5in

Enclosure: Impact Proof Plastic

Data Storage Internal Storage - 2.5 yr@15 min Sample Rate  
USB - over 20 years

Total Images Internal Memory 500 (640x480) Images, USB  
over one million, Storage changes with image  
resolution"

Output: RS485, Sampler Pulse, LCD

Power: Logger: 3.3 V, Internal: 12 V, External: Max 16 V

Operating Temp. -40 to 60°C (-40 to 140°F)

Connectors: Vision Port / 12 Channel Output Port  
External Wireless / Antenna Port  
12 Channel Sensor Input Port  
Internal USB and Wireless Port

Battery Packs: Internal Dual 12 V D-Cell Alkaline Power Supply

Sample Rate: User Defined, 1 to 60 minutes

Software: Field-Siren Windows GUI, Cloud Programmable

Protocol: Compressed Binary

Wireless: World Wide Cellular: 4G LTE and WiFi

Data Transfer: Blue-Live® - DropBox® - GoogleDrive® - FTP

ALL PRODUCT, PRODUCT SPECIFICATIONS AND DATA ARE SUBJECT TO CHANGE WITHOUT NOTICE TO IMPROVE RELIABILITY, FUNCTION, DESIGN OR OTHERWISE. ... It shall be the customer's responsibility to validate that a particular product with the properties described in the product specification is suitable for use in a particular application.

# ECOSiren®

## IN-PIPE ULTRASONIC LEVEL KIT WIRELESS FLOWMETER

Wireless Commercial Grade Portable Flowmeter with  
Integrated Multimedia Vision Technology

Accurate Ultrasonic Level Wireless Monitoring Solution

Connect Multiple Sensors, up to 20 Channels

User Replaceable Internal 12V Battery Supply

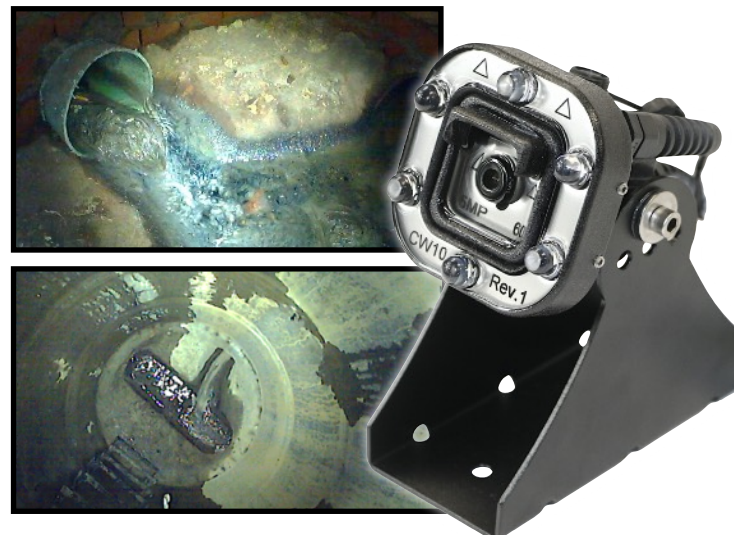
Lightweight, Portable Compact Design

Modular Wireless Design allows 4G or WiFi Connectivity

### ECOSiren® - GO ECO

The ECOSiren® is a multi-sensor autonomous wireless monitoring platform designed to work in outdoor field environments, delivering data to your desk every time. The built-in multi-media platform allows direct connection of our optional vision camera taking simultaneous pictures that correlate directly with sensor readings. Receive alarm emails with images showing the event details and severity.

Automatically upload data for analysis to BlueLive® Cloud, DropBox®, GoogleDrive® or FTP location of your choice. Future proof worldwide LTE wireless module supports multiple countries and cellular frequencies, WiFi option also supported.



### Monitor with Vision®

Each ECOSiren® monitor has a standardized camera port allowing you to monitor with vision® at any time. Great for overflow verification, industrial trade waste color, and Infiltration detection. Camera resolution can range from 5MP all the way down to 0.1MP, complete with user programmable compression.



Standardized Camera Port on Every ECOSiren® Monitor



### Technical Specifications:

Body Material: Rugged PVC Construction

Accuracy: +/- 0.1% of Target Range

Beam Angle: 50° Conical

Operating Voltage: 12V DC

Temp. Compensation: Yes

Range: 1 inch (25mm) to 5 feet (1.5m)

Target Detection: Dead-Band: 1 in (25mm)  
Maximum Range: 5 ft (1.5m)

Response Time: 60 mS

Sampling Rate: 0.1Hz to 20Hz in 0.1Hz increments  
Factory Default: 10Hz

Temperature Range °C: -40°C to 70°C

Relative Humidity: 0 to 95%, non-condensing

Enclosure Rating: IP68

ALL PRODUCT, PRODUCT SPECIFICATIONS AND DATA ARE SUBJECT TO CHANGE WITHOUT NOTICE TO IMPROVE RELIABILITY, FUNCTION, DESIGN OR OTHERWISE. ... It shall be the customer's responsibility to validate that a particular product with the properties described in the product specification is suitable for use in a particular application.

# Industrial Short Range Ultrasonic Level Sensor Product Specification Sheet

Measure Low Flow Depths in Pipes

Pre-Calibrated for Water Level Detection

Near Zero Dead Band (1" to 5") Range

Submersible Design

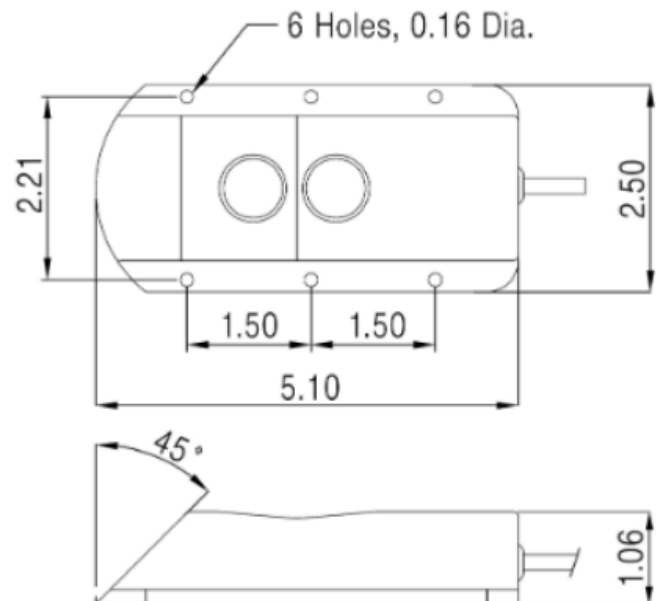
Smart Signal vs Level Detection and Correction when used with Blue Siren Loggers.

## Measure Low Flow and other Level In Pipes and Constricted Spaces

High-Resolution, Submersible, In-Pipe Ultrasonic Level complete with 25ft cable. Great for measuring low flow depth that require a true resolution and accuracy of 1mm.

Low profile ultrasonic transmitter modules are optimized to provide continuous non-contact distance measurement of fluids in constrained working zones for application ranges from 1 inch (25 mm) to 5 feet (1.5 m).

All sensors provide precision measurement for wastewater and water flow with non-uniform surfaces by incorporating state-of-the-art dual-transducer ultrasonic technology and processing algorithms.





# INDUSTRIAL 5MP CAMERA SENSOR Optional VISION Sensor



Infrared LED Camera With Light Detection

Impact Resistant

Maximum 5MP resolution

Built-in Compression

Encapsulated Electronics

## Monitor With Vision®

The Blue Siren® 5MP high output LED Camera Sensor is great for thousands of applications: sewer pipes, grease clogging, inflow and infiltration problems, monitor storm grates and implement camera based infrastructure security.

Automatically store images and send them to any server or website. Subscribe to the BlueLive® Database and see your images as they upload. Sensor readings automatically correlate with image time stamps, allowing more in-depth analysis of system conditions.

The Camera Sensor is constructed using impact resistant urethane and encapsulated using optically clear epoxy. Air is fully vacuumed out of each sensor leaving no room for condensation or moisture.

## Technical Specifications:

Pixel Resolution : 2592x1944 (Default), 2048x1536, 1920x1080, 1600x1200, 1280x960, 1024x768, 800x600, VGA, QVGA, 160x120

Sensor: 1/4" CMOS

Baud Rate: 115200bps (default), 19200bps, 38400bps, 57600bps, optional

Angle of View (FOV): 60 degree (default), 120/90/45/30/15/8 degree Optional

Focal Length: 3.6mm (default), 2.8mm/6mm/8mm/ 12mm/ 16mm/25mm Optional

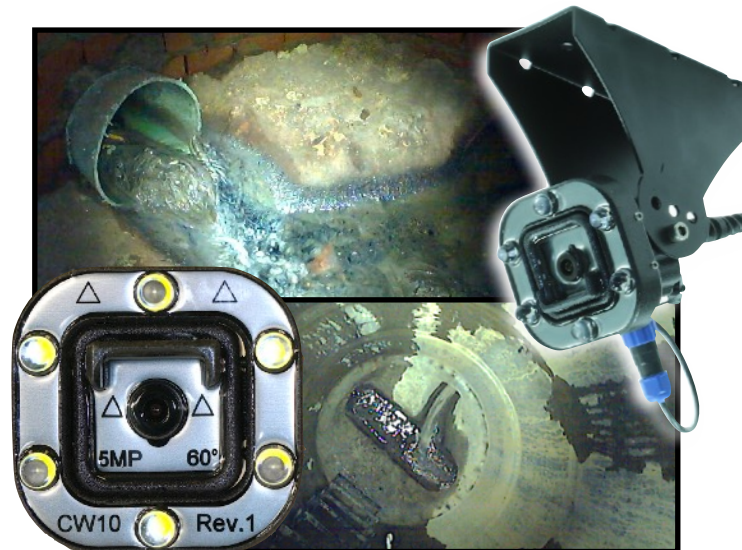
White Balance: Automatic

Operating Temperature: -4°F-140°F

Sample Rate: Minimum 1 minute

Auto Gain Control: Automatic

Exposure: Automatic



ALL PRODUCT, PRODUCT SPECIFICATIONS AND DATA ARE SUBJECT TO CHANGE WITHOUT NOTICE TO IMPROVE RELIABILITY, FUNCTION, DESIGN OR OTHERWISE. ... It shall be the customer's responsibility to validate that a particular product with the properties described in the product specification is suitable for use in a particular application.



# DATA MANAGEMENT

## Wireless Cloud Delivery and Data Analysis

*View and Analyze Real Time Data*

*Automatic Delivery to Hosting Provider of your choice, DropBox®, Google Drive®, FTP, email, BlueLive®*

*Batch View Line and Scatter Plots*

*Manage Large Networks*

*Multiple End Users, No Additional Fees*



### FLEXIBLE DATA PLAN AND DELIVERY OPTIONS:

Automatically upload monitor data to BlueLive®, DropBox®, GoogleDrive®, email, or a FTP location of your choice. The internal worldwide 4G LTE wireless module supports multiple countries and cellular frequencies. In addition, WiFi connectivity options also available for infrastructure implementation. Provide your own SIM card and cellular network or have Blue Siren provide one for you. Blue Siren has low cost options on major networks such as AT&T® and Verizon Wireless®.



ALL PRODUCT, PRODUCT SPECIFICATIONS AND DATA ARE SUBJECT TO CHANGE WITHOUT NOTICE TO IMPROVE RELIABILITY, FUNCTION OR DESIGN OR OTHERWISE. ... It shall be the customer's responsibility to validate that a particular product with the properties described in the product specification is suitable for use in a particular application.