



# Dissolved Oxygen DO Sensor



## Technical Specifications:

Max Depth: 343 meters (1,125 ft)

Max Pressure: 3,447 kPA (500 PSI)

Accuracy: +/- 0.05 mg/L

Operating Voltage: 3.3V - 5V

Temp. Compensation: Yes

Range: 0.01 -100+ mg/L  
0.1 - 400+ %saturation

Cable: 1 Meter

Data Protocol: UART and I<sup>2</sup>C

Response Time: 1 Reading Per Second

Data Format: ASCII

Temperature Range °C: 1°C to 50°C

Internal Temp. Sensor: No

Maintenance: ~18 Months

Life Expectancy: 5 Years +

Fully Submersible

Max Pressure Of 500 PSI

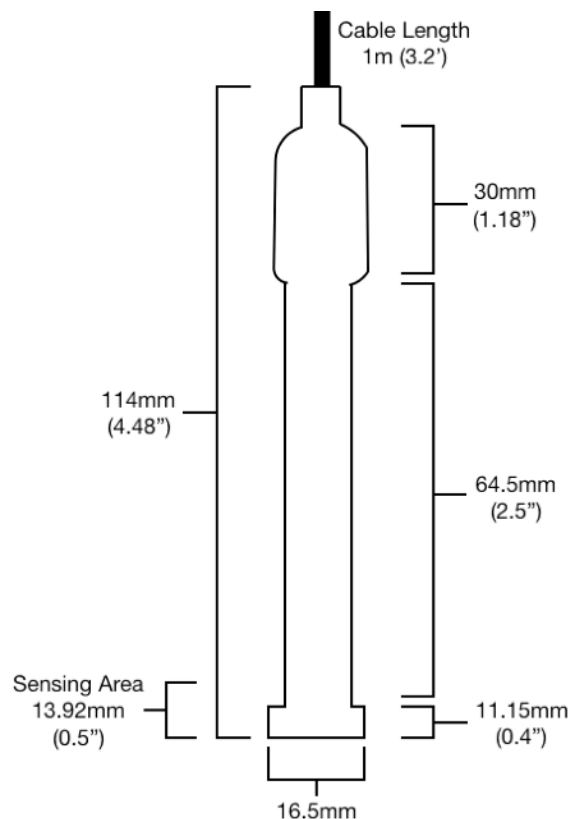
Temperature Range Of 1-50°C

Measure Concentrations of 0.01 -100+ mg/L

Monitor dissolved oxygen levels in water and wastewater using this sensor. Easily connect to the SOLOSiren® allowing you to collect and send wireless DO readings to the cloud for further analysis.

When the probe is submerged, oxygen molecules start to diffuse through the probe's polyethylene membrane at a constant rate. The molecules get reduced at the pure silver cathode and produce a small voltage which is then converted to a DO reading.

Readings can be gathered up to 343 meters with an accuracy of ±0.05 mg/L.



ALL PRODUCT, PRODUCT SPECIFICATIONS AND DATA ARE SUBJECT TO CHANGE WITHOUT NOTICE TO IMPROVE RELIABILITY, FUNCTION, DESIGN OR OTHERWISE. ... It shall be the customer's responsibility to validate that a particular product with the properties described in the product specification is suitable for use in a particular application.