

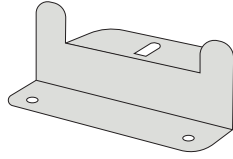
# Z-BRACKET MOUNT INSTALLATION



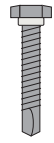
GRIDFREE

## CONTENTS

4x Aluminum Brackets



8x Self tapping metal screws



4x M6 x 16 bolt



4x Spring Washer



4x Nut M6



4x Washer



## REQUIRED TOOLS



6 mm Allen key



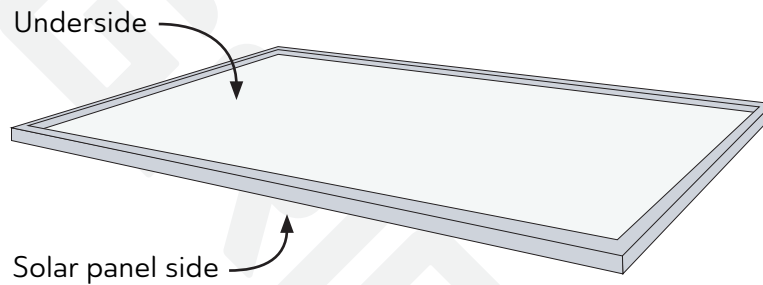
Spanner



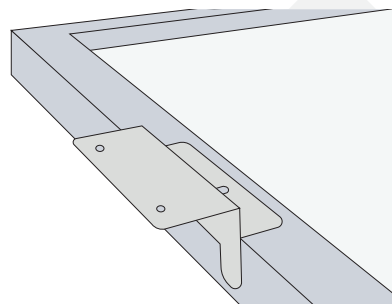
Socket Set



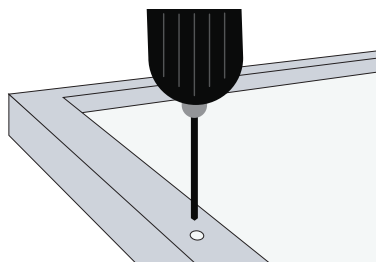
Cordless drill



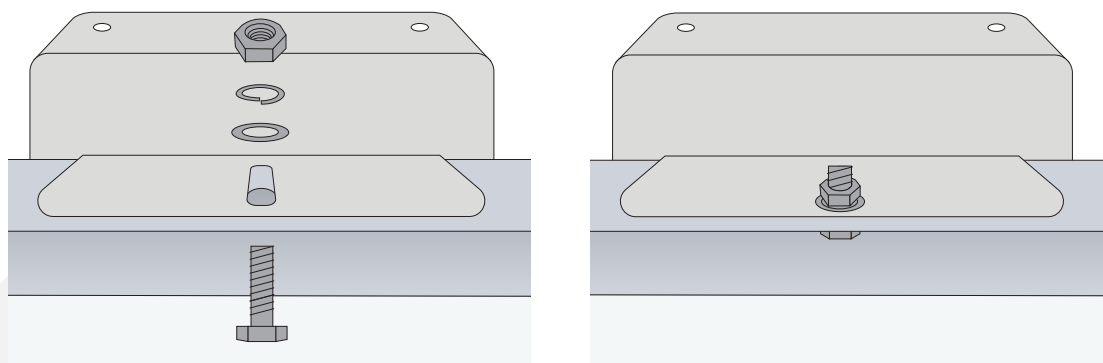
- 1 When installing the Z-Brackets, have the solar panel upside down so the underside is facing you. Lay it on cardboard or another soft surface to avoid scratching the glass.



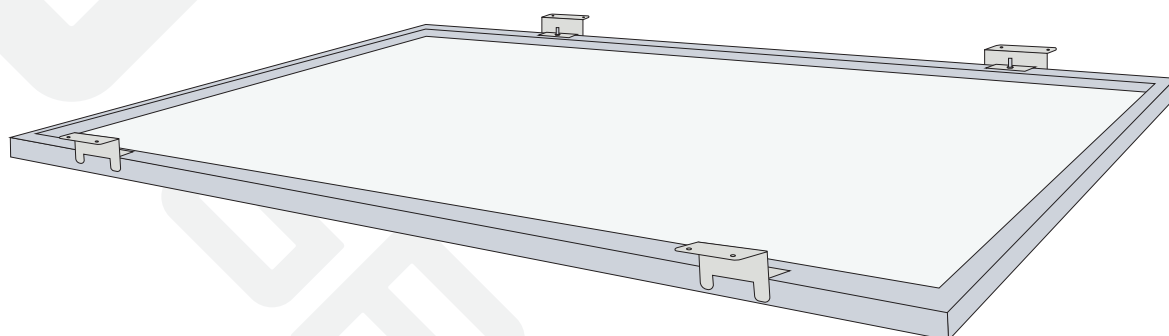
- 2 Place each of the mounts 30-40 cm in from the end, on the long side. Place the smallest face of the Z-Bracket on the panel with the legs of the bracket pointing towards the glass side.



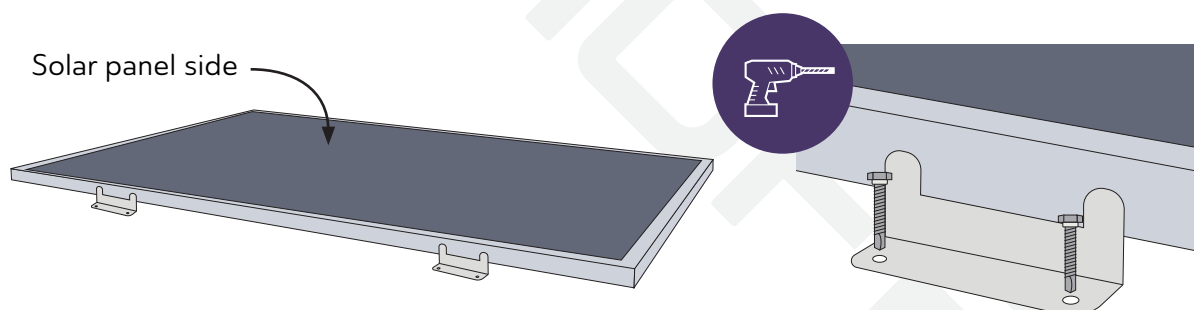
- 3 Mark inside the hole of the Z-Bracket, then remove the bracket and drill a 6mm hole on the underlip of the panel. Be careful to only drill through the panel frame.



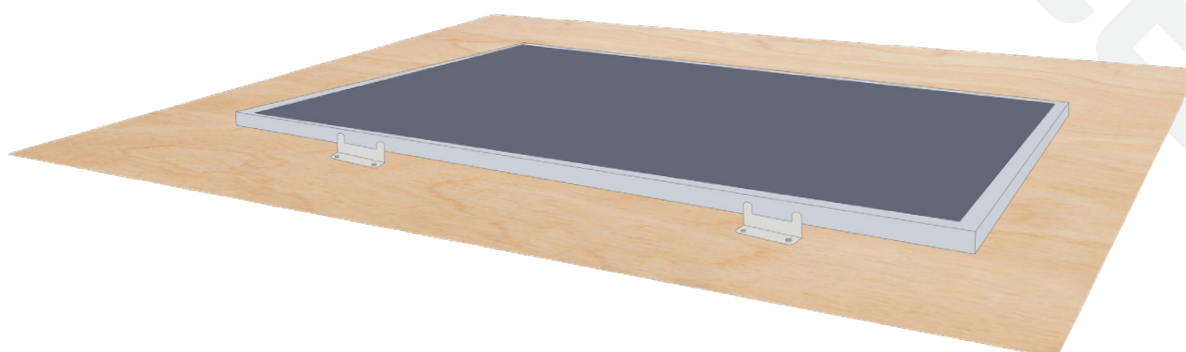
- 4 Attach the Z-bracket to the solar panel. Put the bolt through from the underside then put the large washer over it, followed by the spring washer, then tighten the nut down firmly.



- 5 Repeat the process to attach the rest of the Z-brackets to the panel.



- 6 Flip the panel the right way up and install on to your surface. With your drill use the self tapping screw to mount the brackets to the intended surface. An alternative method to mount your Z-brackets is with a UV- resistant adhesive such as Solar-Flex or Flex+Bond. Make sure the cables are attached and accessible before securing the panels.



- 7 Complete the rest of the installation by following the steps from the instruction manual in your kit.