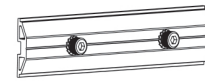
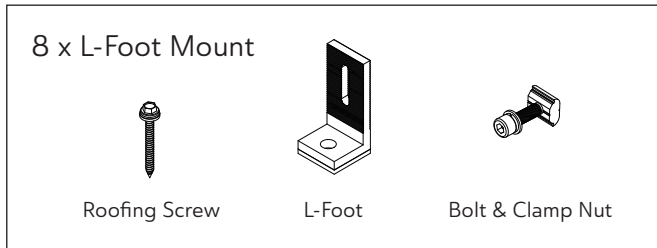


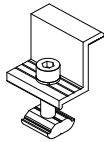
SOLAR ROOF MOUNT INSTALLATION



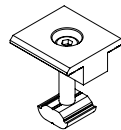
CONTENTS



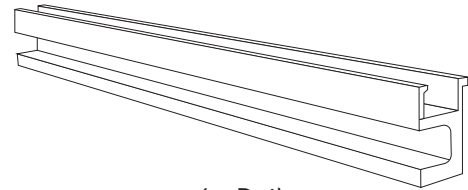
2 x Rail Splice



4 x End Clamp



6 x Middle Clamp



4x Rail

REQUIRED TOOLS



6 mm Allen key



Spanner



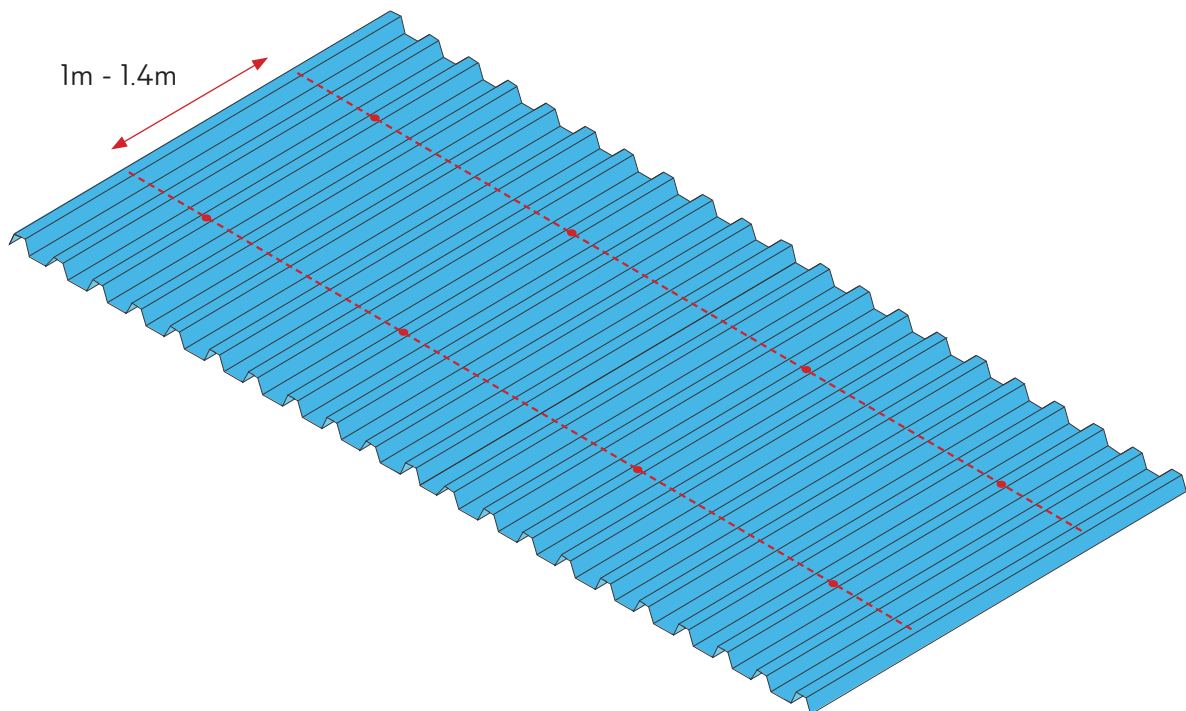
Socket Set



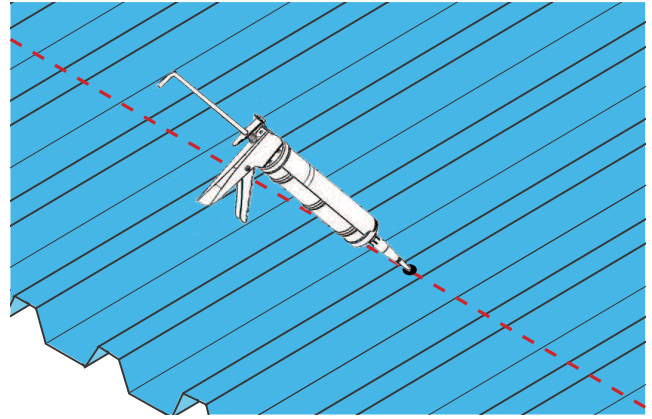
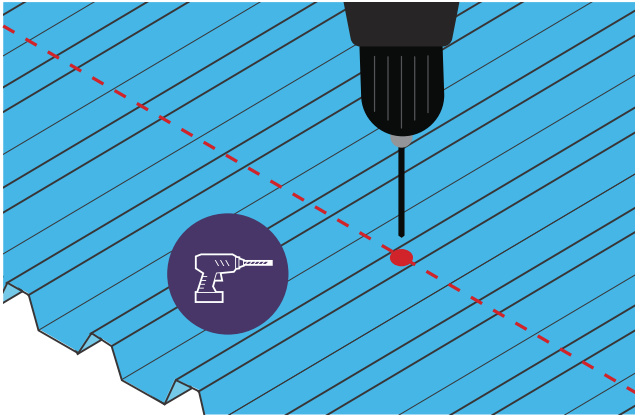
Cordless Drill



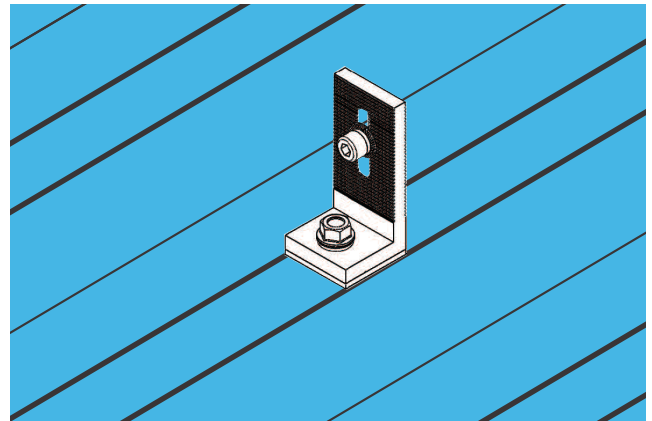
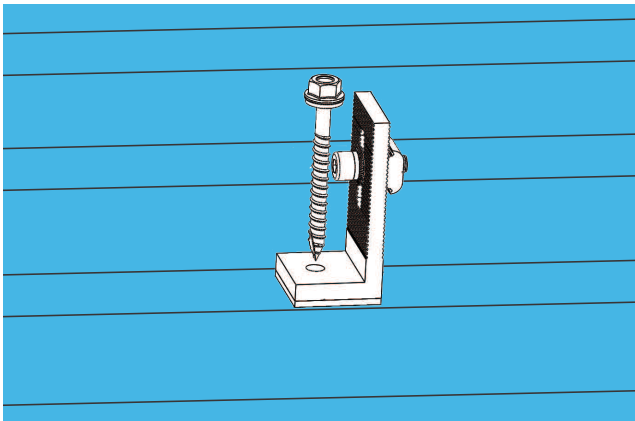
Caulking Gun & Sealant



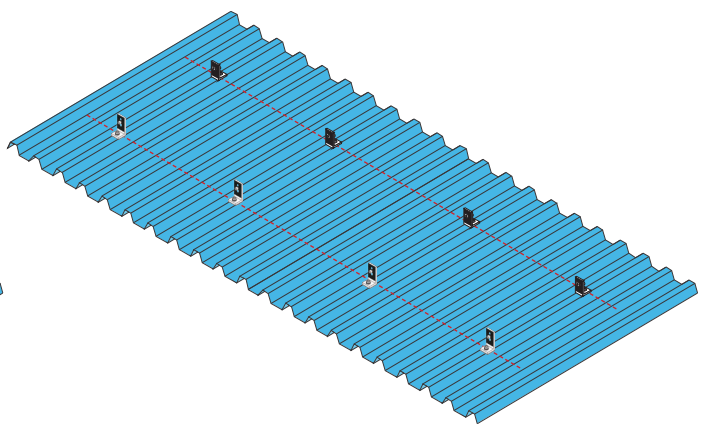
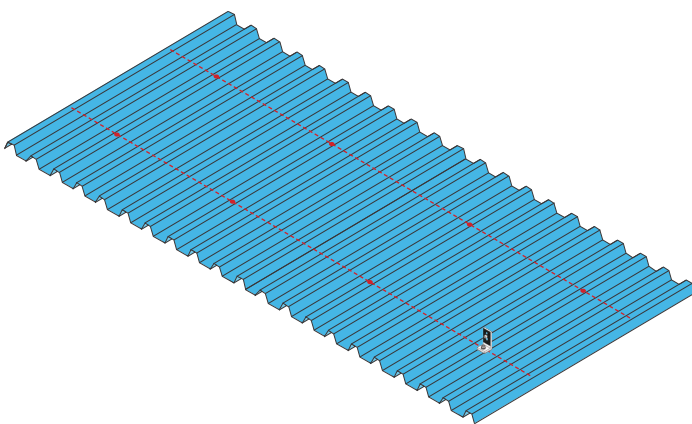
- 1 Determine the line the roof mounts will be positioned by lining them up with existing roof screws, and mark it with a chalk line. L-feet should be attached on a unused crest or by replacing an existing screw.



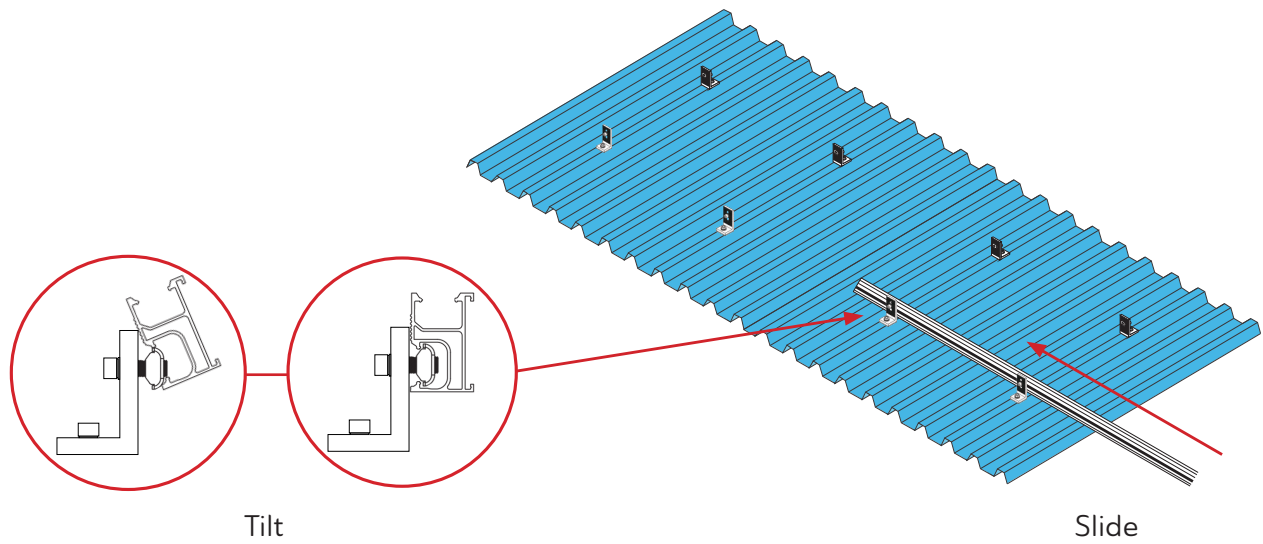
- 2 Drill a single 6mm pilot hole. Backfill the pilot hole with sealant.
-



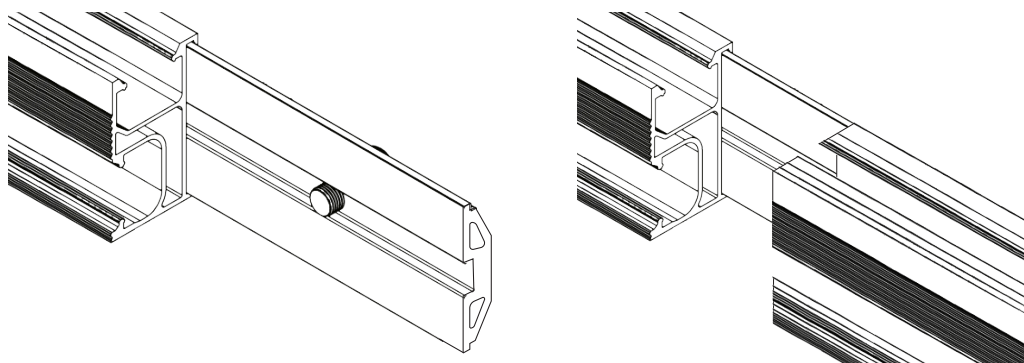
- 3 Fix L-foot in place with a roofing screw.
-



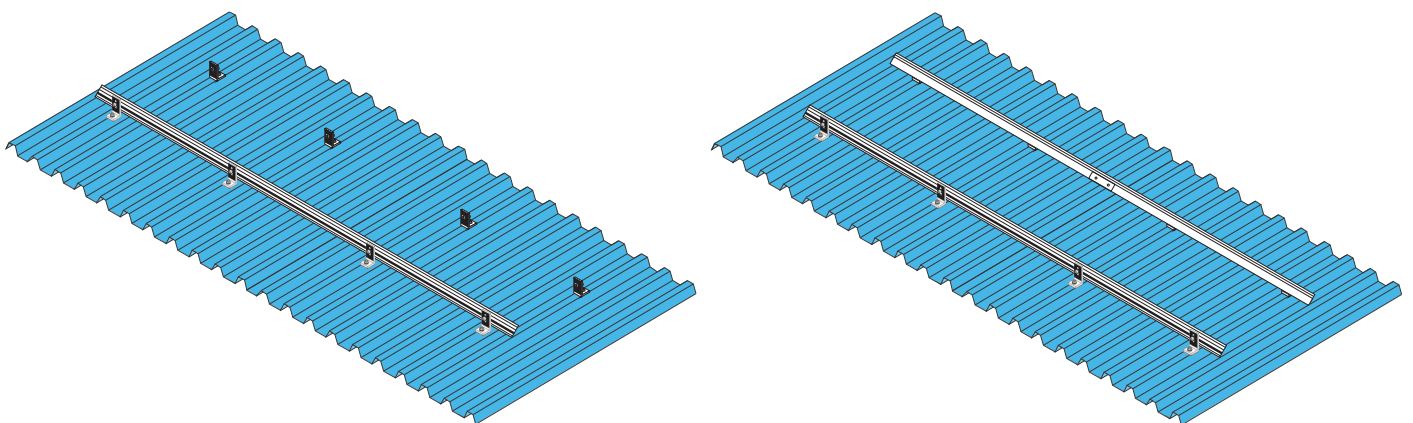
- 4 Evenly spread the L-feet along the line you have marked, placing the first and last foot 10cm from the edge of the rail.
-



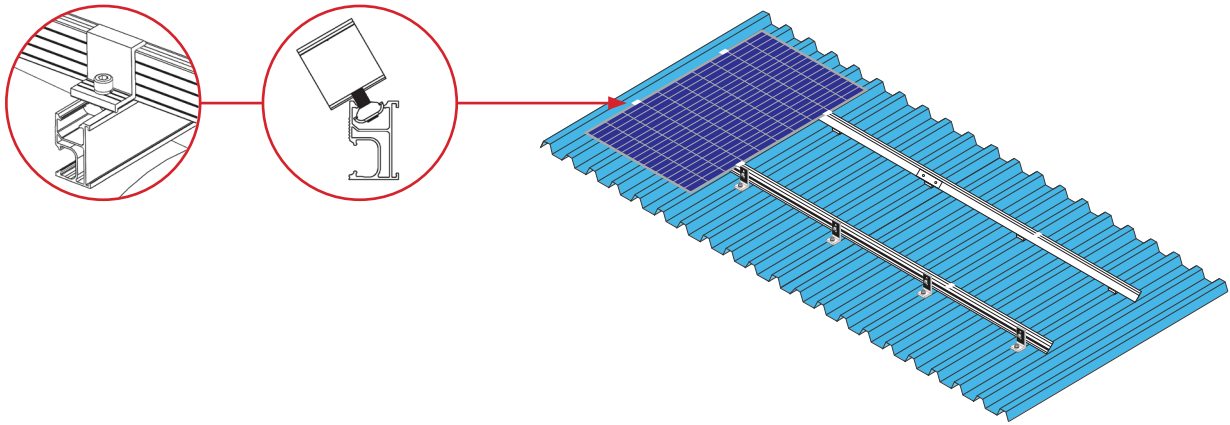
- 5** Tilt the rail to connect it to the clamp of the L-feet with rail fitting or slide the rail through the clamp of the first foot then down the row through all the feet.
-



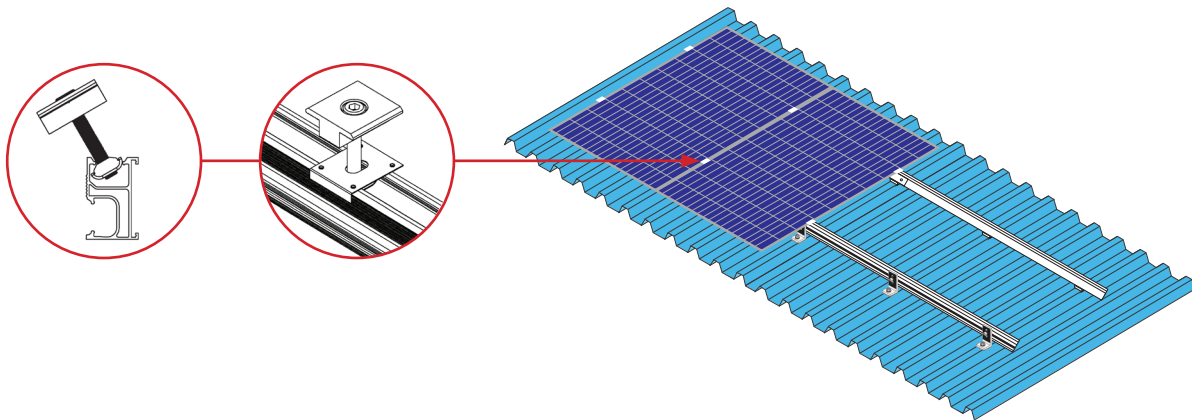
- 6** To connect the rails, slide one end of the rail splice in to the front face of the rail. Connect the joining rail with the splice and tighten the bolts.
-



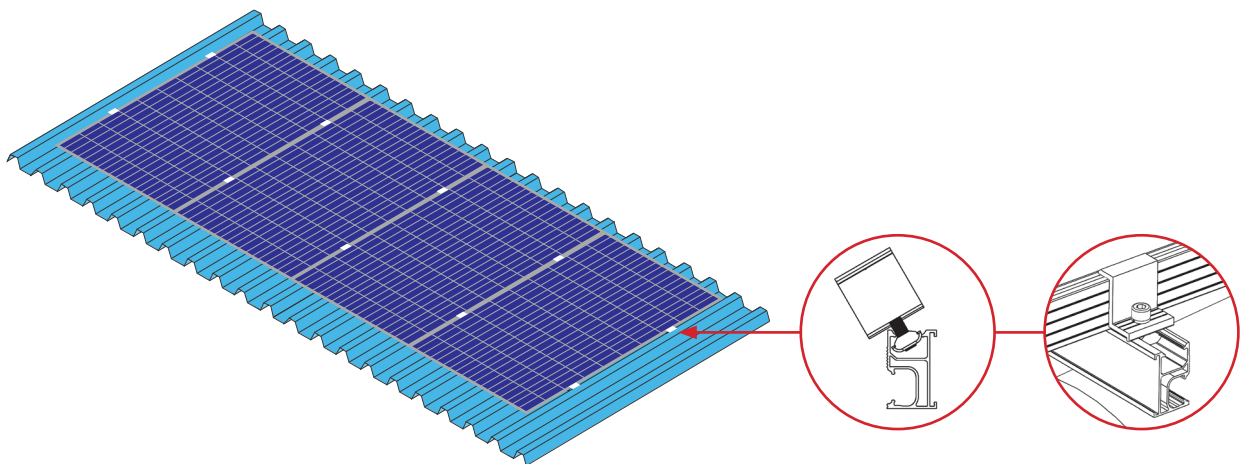
- 7** Repeat step 5 and 6 for the second row.
-



- 8** Tilt or slide in the end clamp nuts into the top opening of the rails. Put the first solar panel on the two parallel rails, then fasten the end clamp bolts to secure one side of the panel.
-

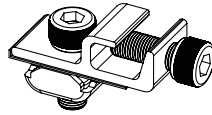


- 9** Insert the mid clamp nuts by tilting it in to the top opening of the rails, then put the second panel on to the rails. Fasten the mid clamps, placing in between each panel.
-




- 10** Now place the last panel on the rails followed by the end clamps and tighten. Ensure that all panels are secure on the rail.
-

OTHER CONTENTS



Grounding Lug

 Grounding your panels is optional. For safe grounding consult with an expert.
