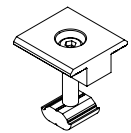
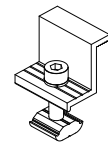
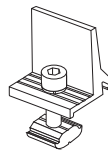
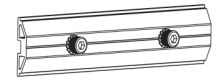
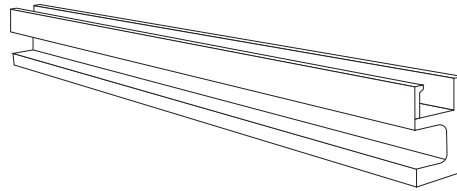
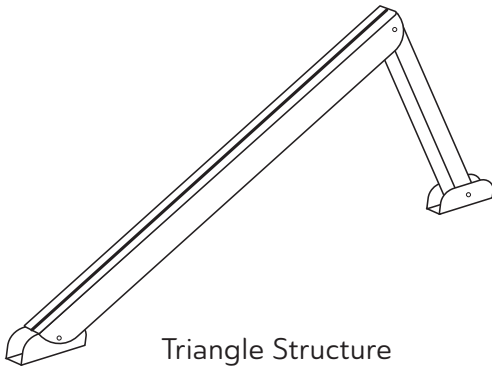
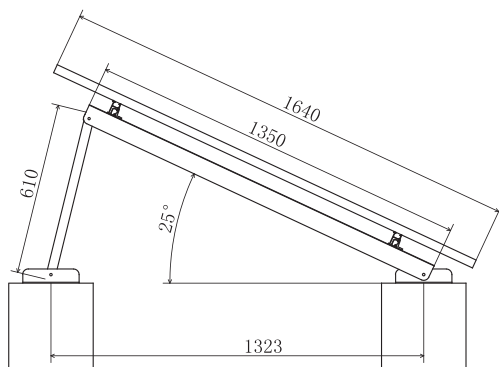
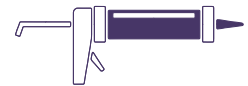


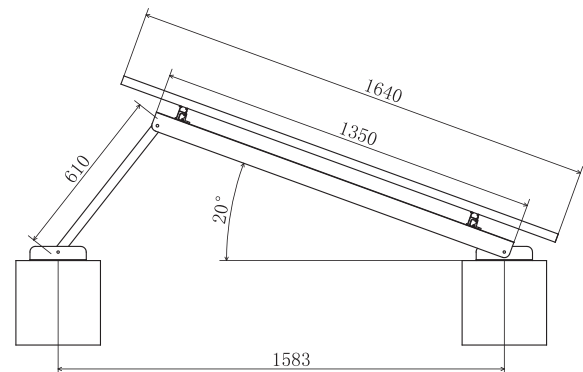
CONTENTS



REQUIRED TOOLS

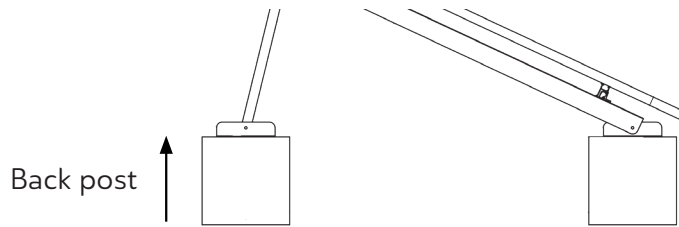


Minimum 1323 cm

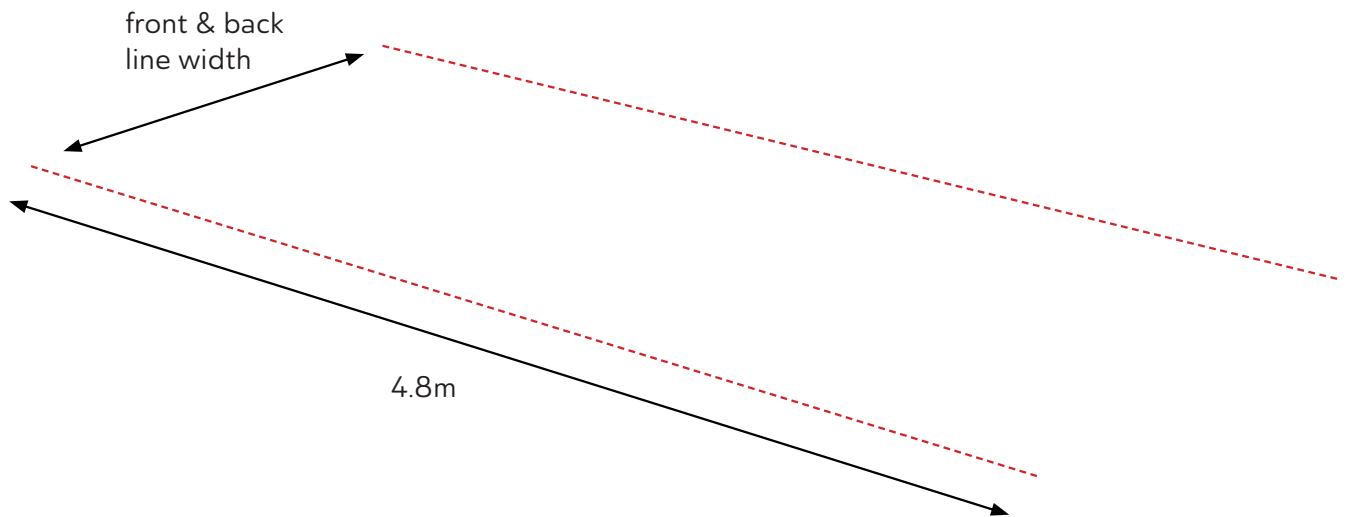


Maximum 1582 cm

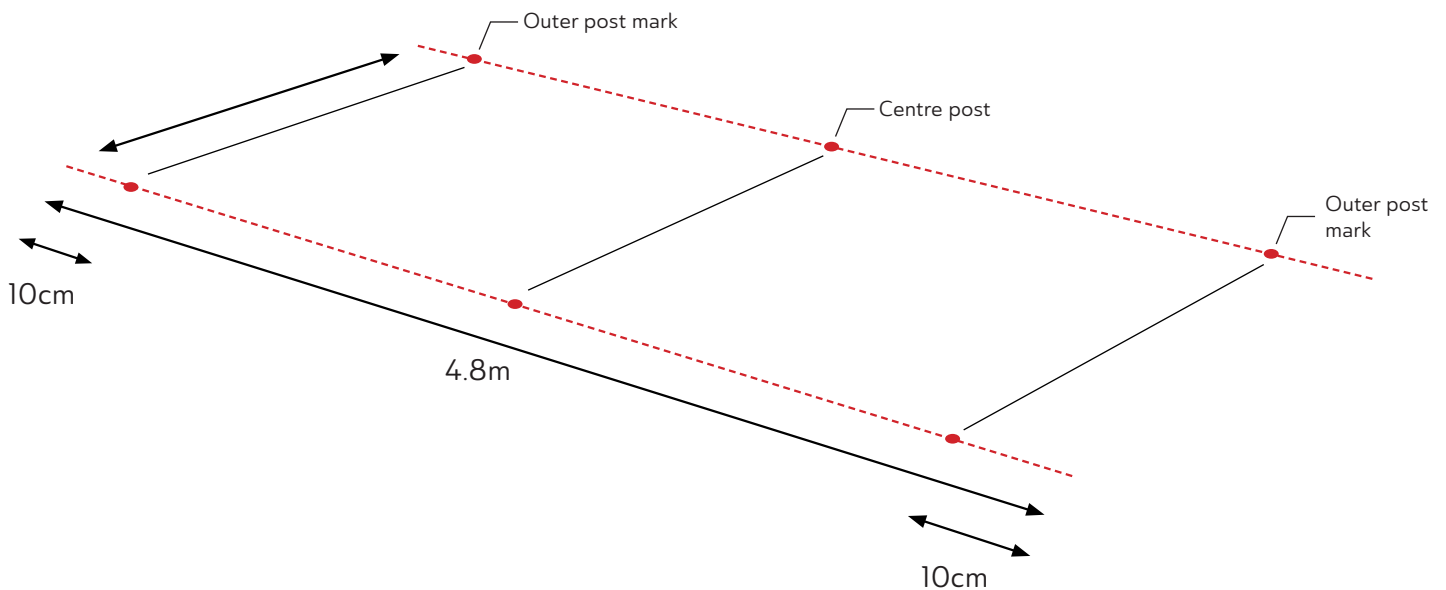
- 1 The first step in your installation is to consider the angle of your ground mount, this will help determine the width between the front post and back post. The distance between the front and back post can be anywhere between 1323cm and 1582cm.



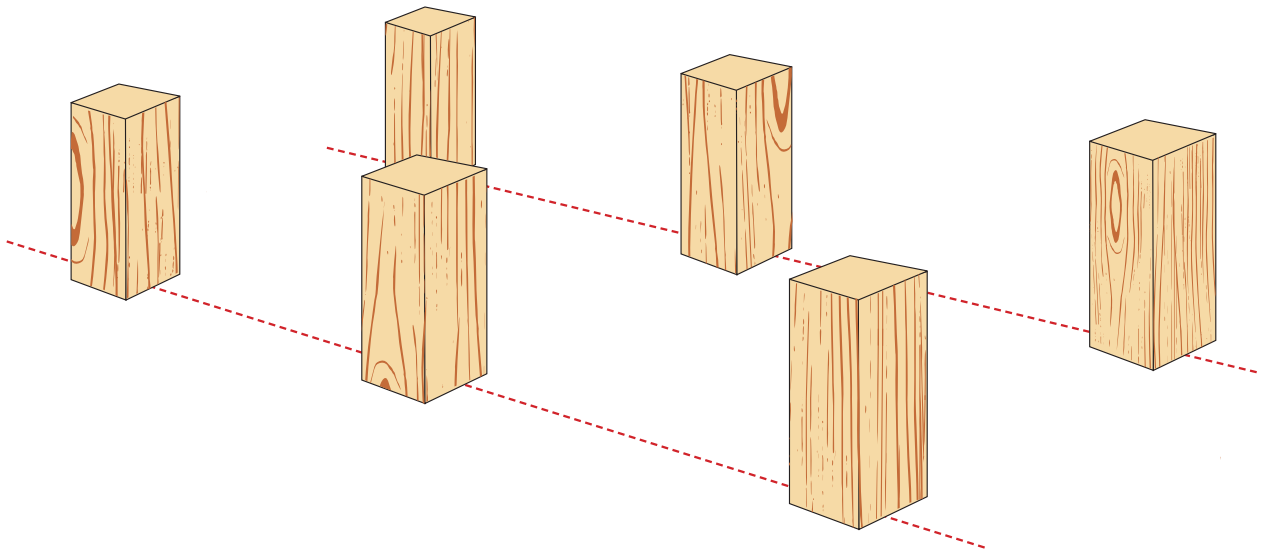
You can also increase the angle of the panels by raising the back post that the rear legs are attached to higher than the front post.



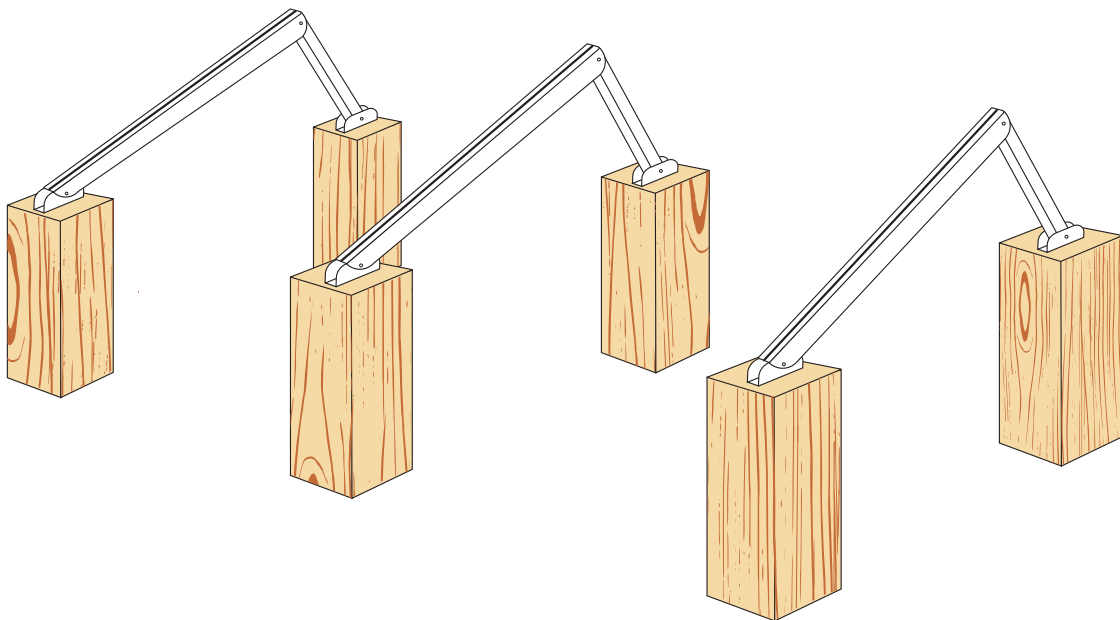
- 2 Define the ground area of where your mount will be placed. Start by outlining the length of your rail, this will be 4.8m along the ground. The width between the front rail line and the back rail depends on angle of panels (see previous page).



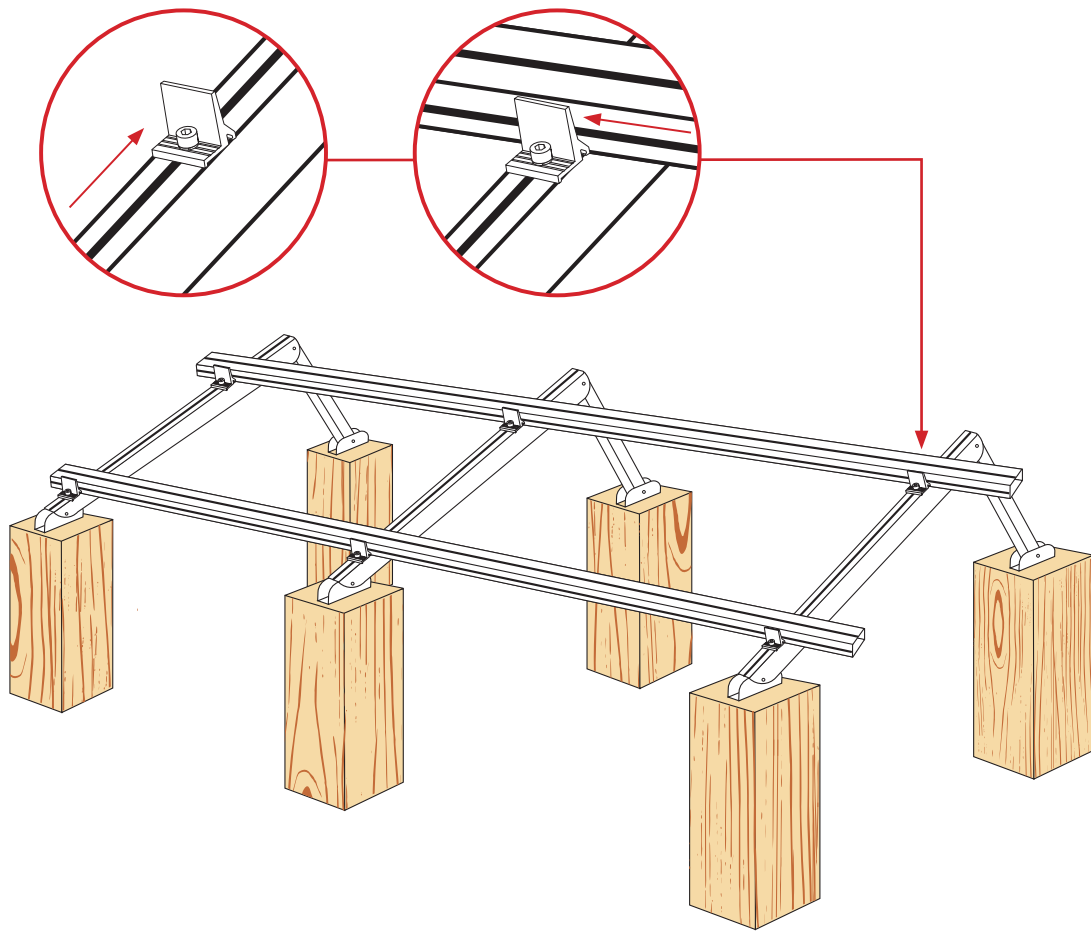
- 3 Mark where the outer foundation post will be placed. We recommend this be 10cm in from the edge of the rail. Then evenly space the centre post between the outer foundations.



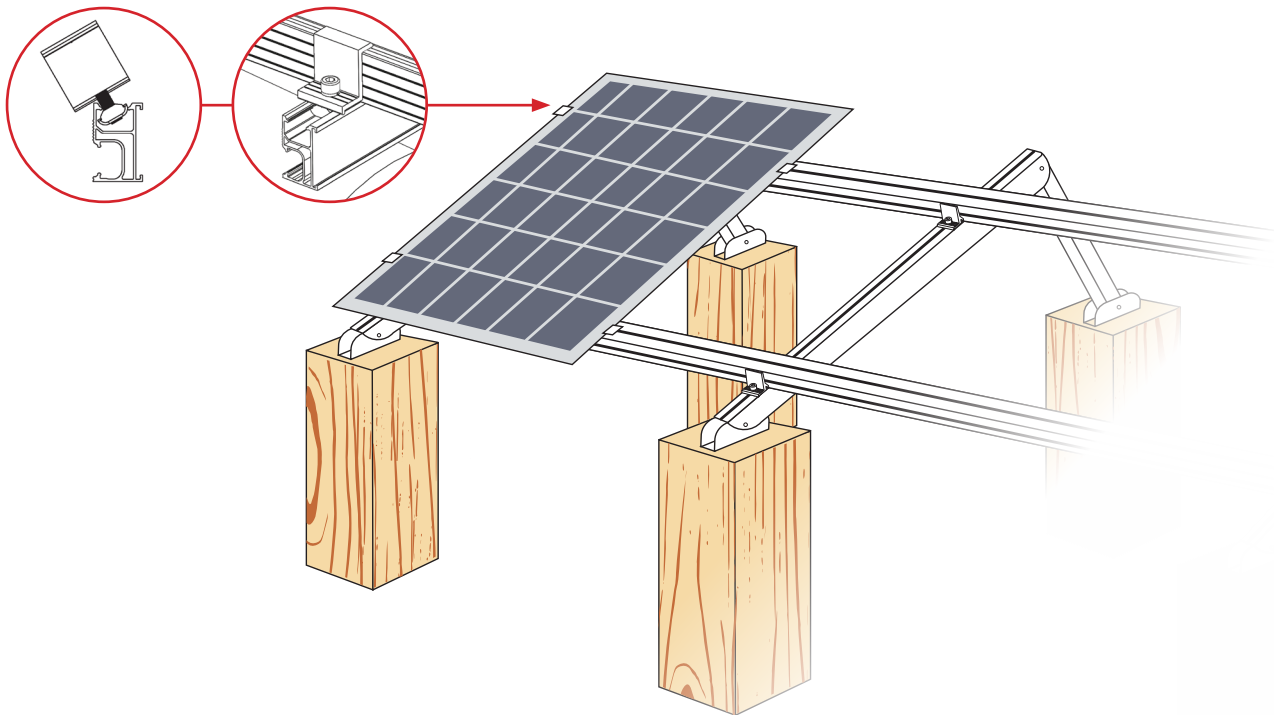
- 4 Once your area has been defined, install your posts in the locations you've marked. After your foundation posts are secure in the ground, you can start the mount installation.
-



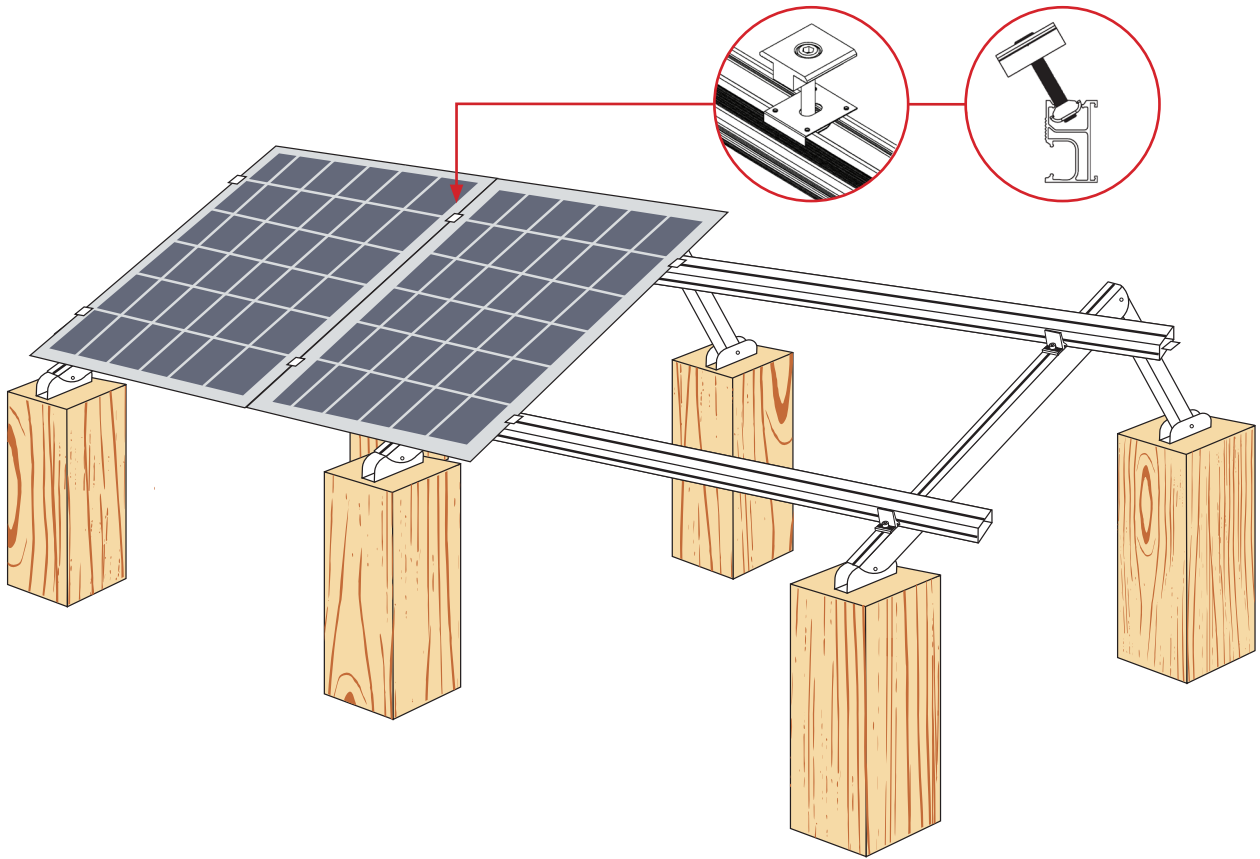
- 5 Install the triangle structures on top of the post.
-



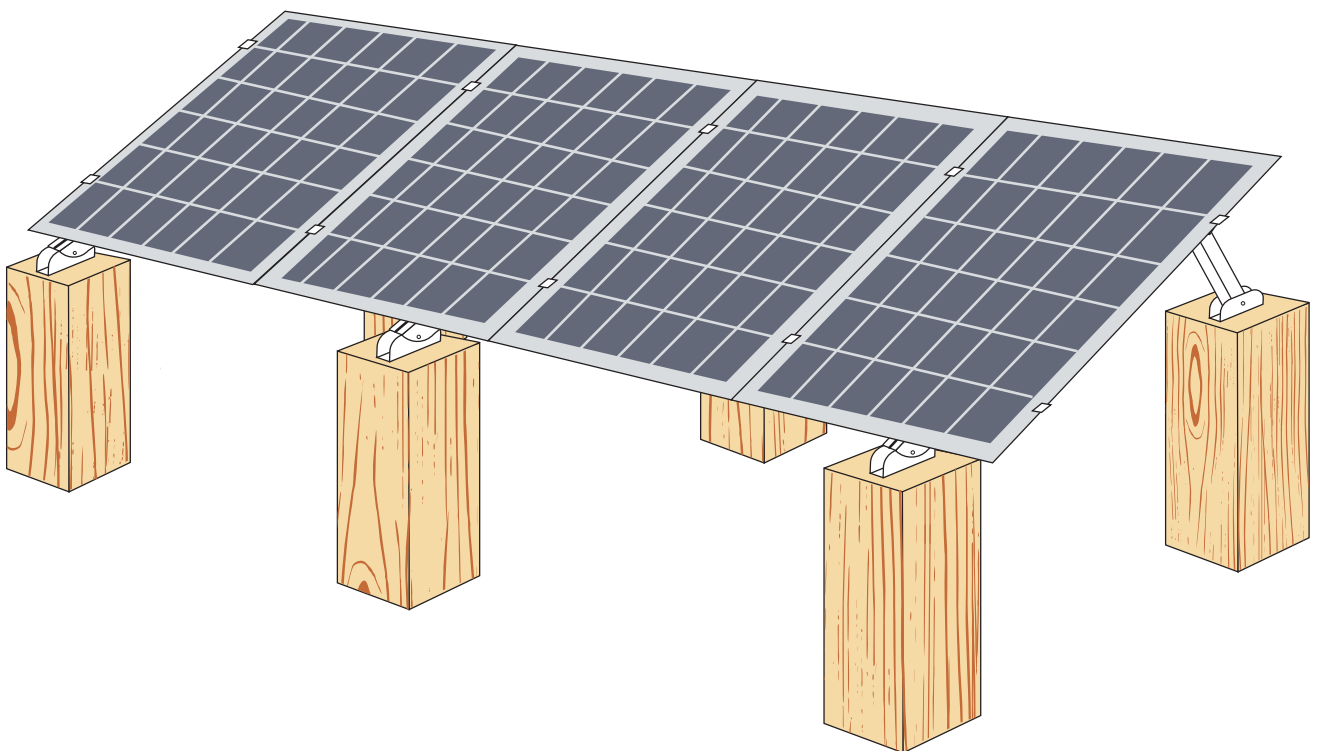
- 6 Slide the triangular clamp through the top face of the triangle structure, then slide the rail across the 3 triangle structures, catching the lip of the rail with the triangular clamp. Fasten the triangular clamp.
-



- 7 Place the first solar panel on the rails. Slide the end clamp on to the rail, fit the solar panel into place then slide in the mid clamp. Fasten the end clamp.
-

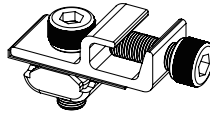


- 8** Place the following solar panel with the mid clamp between the panels, then fasten down the mid clamp to secure the solar panels.
-



- 9** Set up the remaining solar panels on the rail, ensuring that you use a mid clamp between each of the solar panels followed by an end clamp on the last panel at the end of the row. Lastly check that all panels are tightly fastened on the rails.
-

OTHER CONTENTS



Grounding Lug

 Grounding your panels is optional. For safe grounding consult with an expert.
