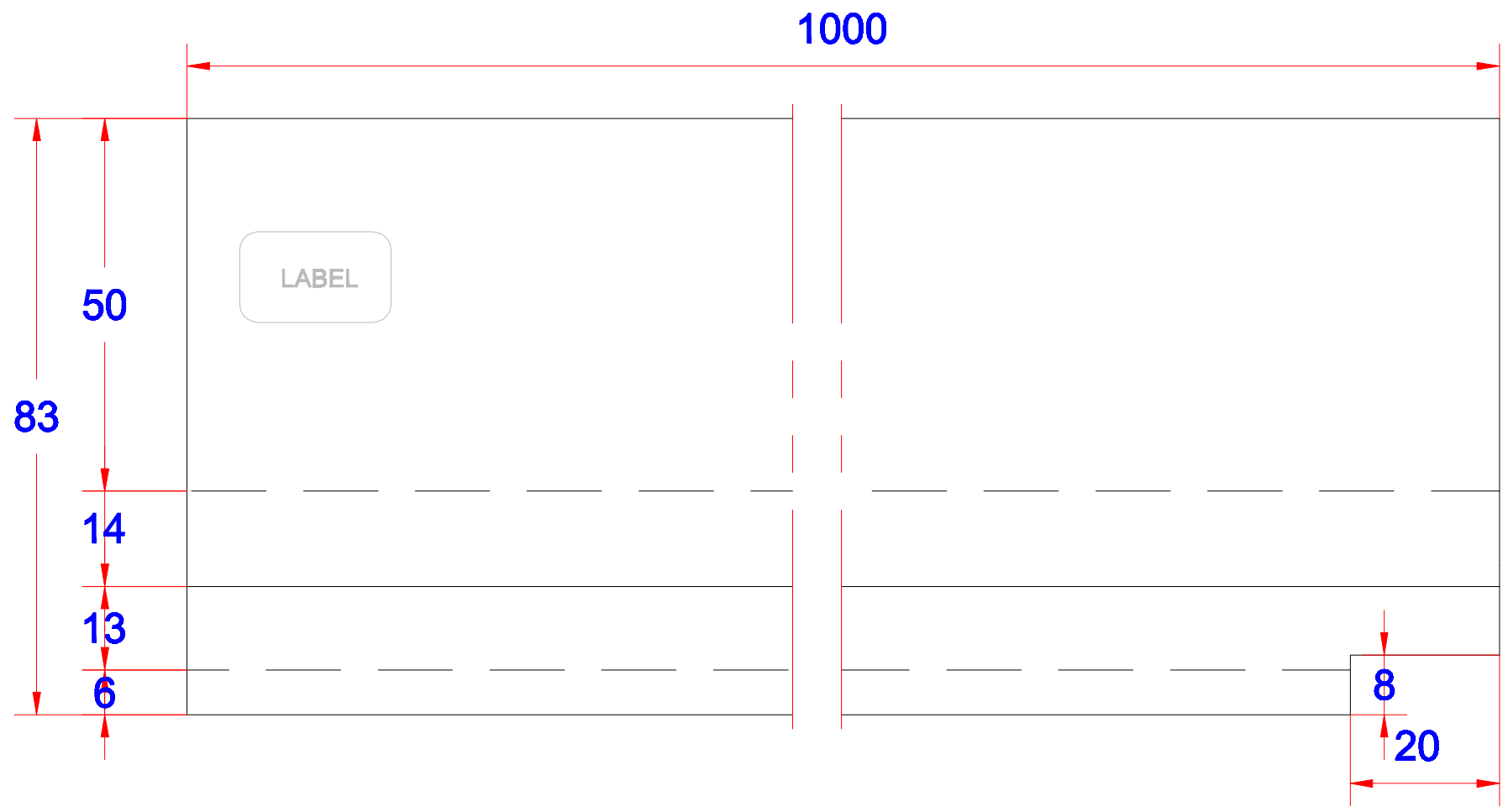
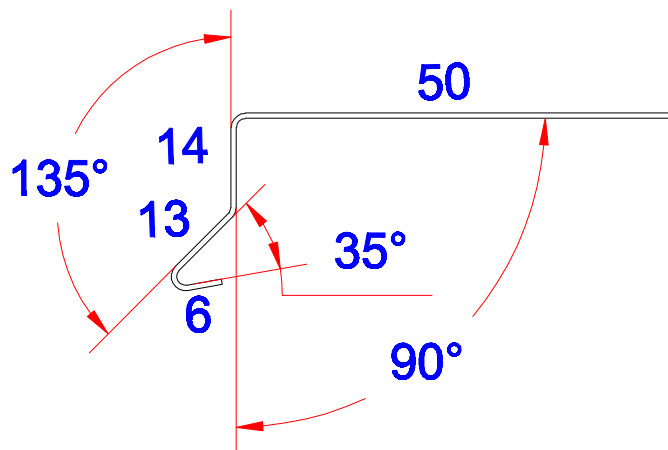


GT-BUILD

Product: Zink Murkroneafdaekning 10A

| | |
|--------------------|----------|
| Data: | |
| Scale: | 1:1 |
| Material | Zink |
| Material thickness | 0.65mm. |
| Material length | 1000 mm. |
| Pcs/pallet | 1200 |
| Pcs/box | 50 |

NOTE:



| | |
|------|--------------|
| Date | 13.06.2018 |
| NO. | TPZ02013-GTB |