

GT-BUILD

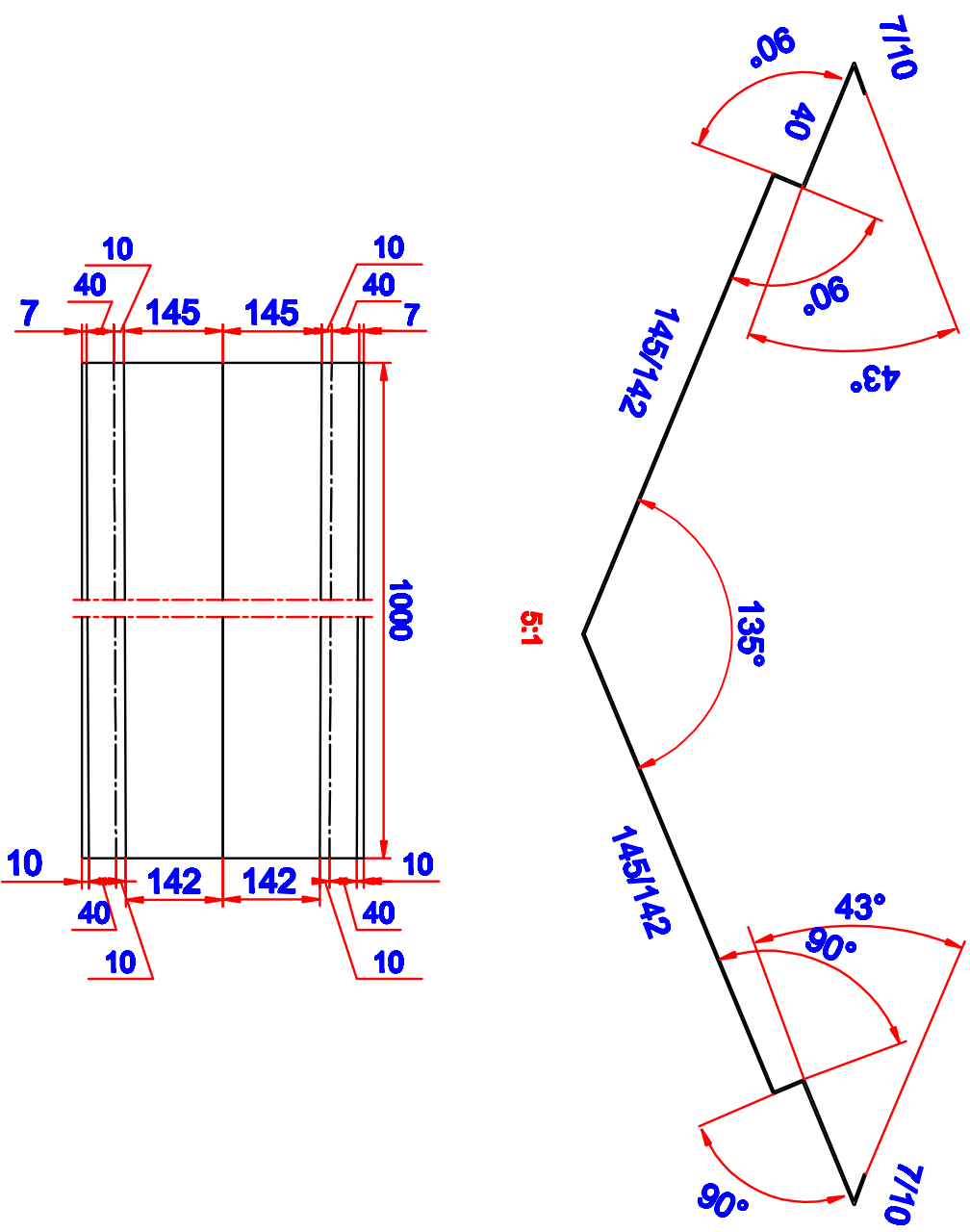
Product:

Skotrende 6" DOBBELT 40x145x1000mm

Data:	
Scale:	5:1
Material:	2S/EN AW-1050
Material thickness:	0.6 mm.
Material length:	1000 mm.
Pcs/pallet:	150
Pcs/box:	25

NOTE:

Deliver 1 pcs dobbelt blind fats (TP01012) with each profile.



Date:	26.01.2018
NO.:	TP01001-GTB