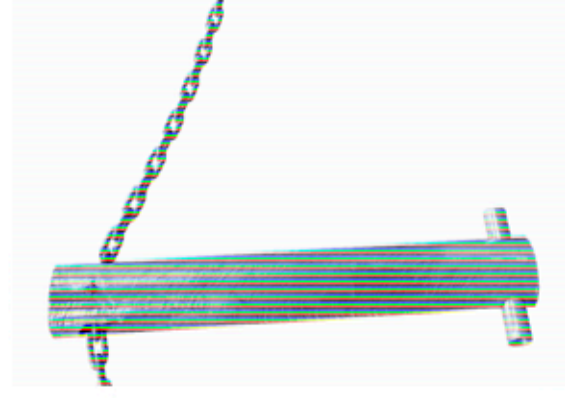
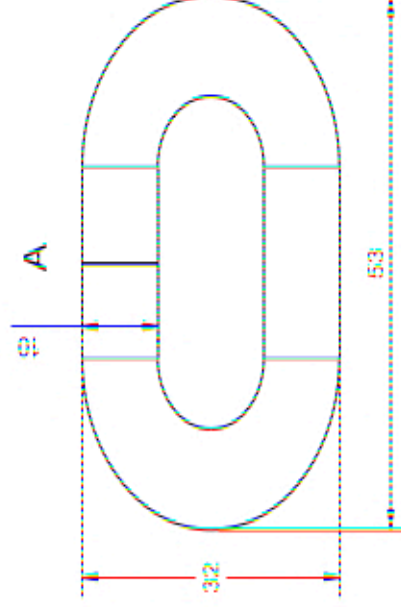
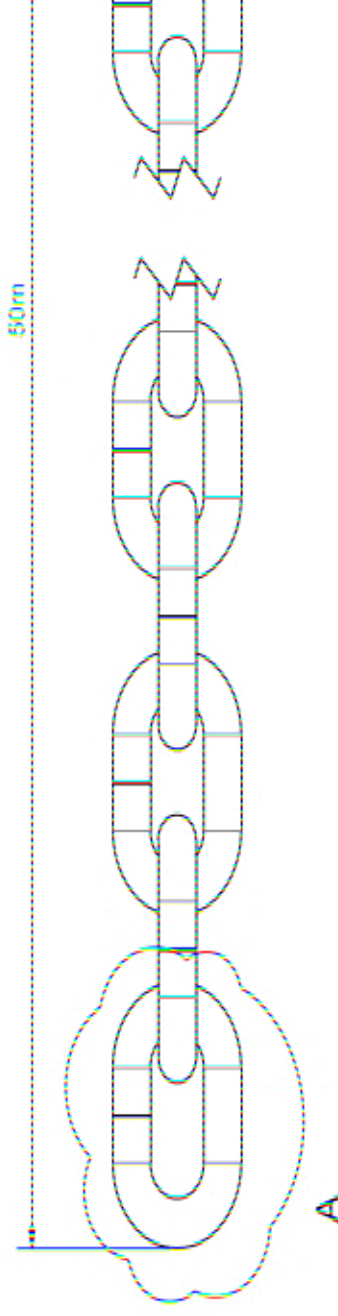


<b>Data:</b>	
<b>Scale:</b>	1:2
<b>Material</b>	Steel Q235
<b>Material thickness</b>	Ø10.0 mm.
<b>Material length</b>	50m.
<b>Total Weight 50M</b>	97.0kg
<b>Pcs/box</b>	Chain length 50 meter

**NOTE:**

Surface : Hot Dip Galvanised



<b>Date</b>	16.03.2023
<b>NO</b>	PU00210-GTB