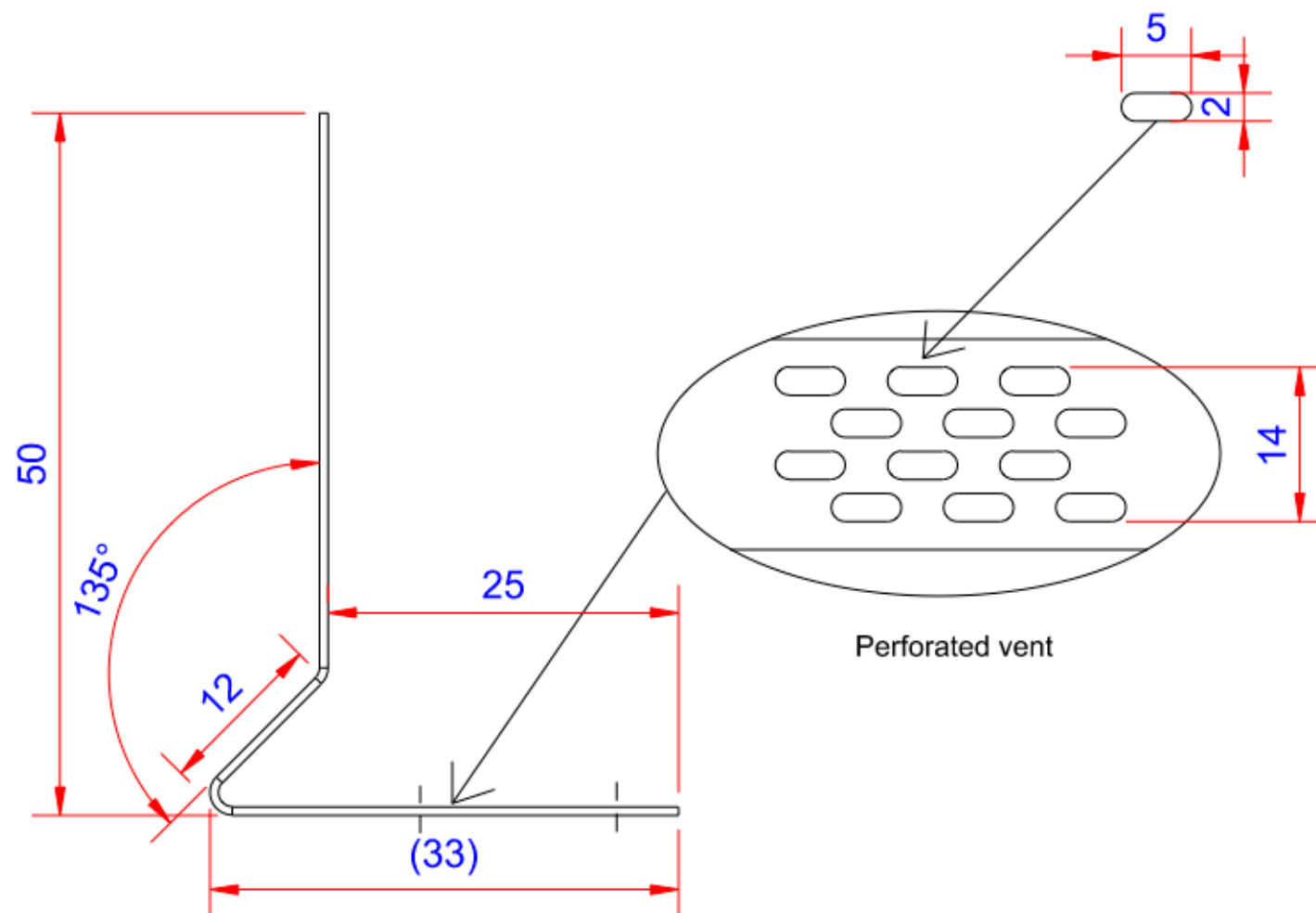


Product:

Start og ventilationsprofil Z-type

|                    |                |
|--------------------|----------------|
| Data:              |                |
| Scale:             | 2:1            |
| Material           | EN AW-1060-H24 |
| Material thickness | 0.6mm.         |
| Material length    | 3000 mm.       |
| Pcs/pallet         |                |
| Pcs/box            |                |

Farve:  
ALU  
(only made in alu blank)



|      |            |
|------|------------|
| Date | 28.03.2022 |
| NO   | FP0502-GTB |