
LA RUE



LA RUE 28"



USER MANUAL

INDEX

1. FOREWORD	3
1.1 General	3
1.2 Assistance	3
1.3 Graphic form of security warnings	3
2. SAFETY WARNINGS	4
2.1 General safety rules	4
2.2 Responsibilities	4
2.3 Warnings for users	5
2.4 Maintenance warnings	5
2.5 Other provisions	6
2.6 Unpacking and tuning	6
2.6.1 Saddle adjustment	6
2.6.2 Handlebar adjustment	7
2.6.3 Pedal mounting	8
3. DESCRIPTION OF THE BICYCLE	9
3.1 General description	9
3.2 Data sheet	10
3.3 Brake levers	11
3.4 Speed change	11
3.5 Assistance system management	12
3.5.1 Commands	12
3.5.2 Service levels	12
3.6 Activate support	12
3.7 Walking assistance mode	13
3.8 Battery	13
3.8.1 Battery charge status	13
3.8.2 Battery removal/installation	13
3.8.3 Battery charging	15
3.8.4 Problem solving	15
3.9 Front and rear light	16
4. CONDITIONS OF USE AND INTENDED ENVIRONMENT	17
4.1 Intended use	17
4.2 Environment of use	17
4.3 Improper uses and contraindications	18

5. LIFTING AND TRANSPORT	19
5.1 Lifting	19
5.2 Transport	19
6. COMMISSIONING	20
6.1 Battery charge	20
6.2 Preliminary functional settings	21
6.2.1 Control devices	21
6.2.2 Wheels	21
6.2.3 Braking	21
6.2.4 Frame, handlebar and saddle position	22
6.2.5 Brake adjustment	23
6.2.6 Headlight operation	24
7. USE OF BICYCLE	25
7.1 Use of bicycle	26
7.2 Braking	26
7.3 Bicycle parking	26
8. MAINTENANCE	27
8.1 General	27
8.2 Daily maintenance and checks	27
8.2.1 Tags and pictograms check	27
8.2.2 Wheel control	27
8.2.3 Brake operation control	27
8.3 Weekly maintenance and checks	28
8.3.1 Washing and cleaning	28
8.3.2 Lubrication and chain tension control	28
8.3.3 Frame and bolt control	28
8.4 Monthly maintenance and checks	29
8.4.1 Control of electrical circuits and components	29
8.4.2 Rear derailleur control and adjustment	29
9. TECHNICAL ASSISTANCE AND SPARE PARTS	30
10. WAREHOUSE	30
11. DISPOSAL OF COMPONENTS AND MATERIALS	31
12. WARRANTY RULES	32
CONFORMITY	33



1. FOREWORD

1.1 Generalities

This manual is an integral and essential part of the pedal-assisted bicycle model LA RUE.

Before commissioning, it is essential that users read, understand and scrupulously follow the following provisions.

The manufacturer is not liable for damage caused to persons and / or things or to the pedal-assisted bicycle, if it is used incorrectly with respect to the indicated prescriptions.

With a view to continuous technological development, the manufacturer reserves the right to modify the components, including the frame, without notice and without this manual being automatically updated.

1.2 Assistance

For any inconvenience or request for clarification contact the authorized dealer, who has competent and specialized personnel as well as specific equipment and original spare parts.

1.3 Graphic form of safety warnings

To identify the security messages in this manual, the following graphic signal symbols will be used. They have the function of attracting the attention of the reader / user for the correct and safe use of the assisted bicycle.



ATTENTION

It highlights behavioral rules to be kept in order to avoid damage to the pedal-assisted bicycle and / or the onset of dangerous situations.



DANGER

Highlights the presence of hazards that cause residual risks to which the user must pay attention in order to avoid accidents or material damage.

2. SAFETY WARNINGS



ATTENTION

USE OF THE PEDAL-ASSISTED BICYCLE

Each user must first have read the instruction manual, in particular the chapter on safety claims.



ATTENTION

RISK ASSOCIATED WITH THE USE OF THE PEDAL-ASSISTED BICYCLE

- Notwithstanding the application of safety devices, for the safe use of the pedal-assisted bicycle, all the requirements relating to the prevention of accidents reported in this manual.
- Always stay focused while driving and **DO NOT** underestimate the residual risks associated with the use of the assisted bicycle.

2.1 General safety rules

Even if you are already practical in the use of pedal-assisted bicycles , you must follow the instructions given here, in addition to the general precautions to be observed during the driving a motor vehicle . In particular:

- Acquire full knowledge of the pedal-assisted bicycle;
- Read the manual carefully to know the operation, the safety devices and all the precautions necessary for the safe use of the vehicle. All this to allow safe use;
- Carefully keep the pedal-assisted bicycle in perfect condition.

For any inconvenience or request for clarification, contact without hesitation the authorized dealer, who has competent and specialized personnel, specific equipment and original spare parts.

2.2 Responsibilities

Failure to comply with the operating instructions and safety requirements contained in this manual exempts the manufacturer from any liability.

If the maintenance of the pedal-assisted bicycle is carried out in a manner that does not comply with the instructions provided, with non-original spare parts or in any case in such a way as to compromise its integrity or modify its characteristics, the manufacturer will be relieved of any responsibility inherent in the safety of persons and the defective operation of the pedal-assisted bicycle.





ATTENTION

UNAUTHORIZED CHANGES

If you hear unusual noises, or feel something strange, stop the pedal-assisted bicycle immediately. Carry out a check afterwards and, if necessary, contact the authorized dealer.

For any data not included or not deductible from this manual it is recommended to consult directly the authorized dealer.

2.3 Warnings for users

1. It can only be used by experienced adults and children;
2. Do not take alcohol or drugs before riding the pedal-assisted bicycle;
3. This model of pedal-assisted bicycle is designed and built to be used outdoors, on roads and private and public environments;
4. Do not ask the pedal-assisted bicycle for performance higher than that for which it was designed;
5. Never ride the pedal-assisted bicycle with disassembled parts;
6. Avoid uneven surfaces and obstacles;
7. Ride with both hands on the handlebars;
1. Replace worn and/or damaged parts and check that the guards are working properly before use.

2.4 Maintenance warnings

1. Any maintenance must take place with the battery disconnected;
2. During each maintenance phase, operators must be equipped with the necessary accident prevention equipment;
3. The tools used for maintenance must be suitable and of good quality;
4. Do not use gasoline or flammable solvents as detergents, but always resort to non-flammable and non-toxic solvents;
5. Limit as much as possible the use of compressed air for cleaning (max 2 bar) and protect yourself with glasses with side guards;
6. Never resort to the use of open flames as a means of illumination when carrying out verification or maintenance operations;
7. After any maintenance or adjustment, make sure that no tools or foreign bodies remain between the moving parts of the pedal-assisted bicycle.



ATTENTION

ORIGINAL SPARE PARTS

Use only original spare parts supplied by M.B.M. S.r.l. Unipersonal. Any liability of the Manufacturer for damage or loss of functionality caused as a result of the use of non-original accessories and parts is excluded.



2.5 Other provisions

The first thing to do when starting the use, is to check the presence and integrity of the protections and the operation of the safety. If you find any defects, do not use the pedal-assisted bicycle!



DANGER

GUARDS

It is strictly forbidden, therefore, to modify or remove the guards, controls, labels and indication plates.

2.6 Unpacking and tuning

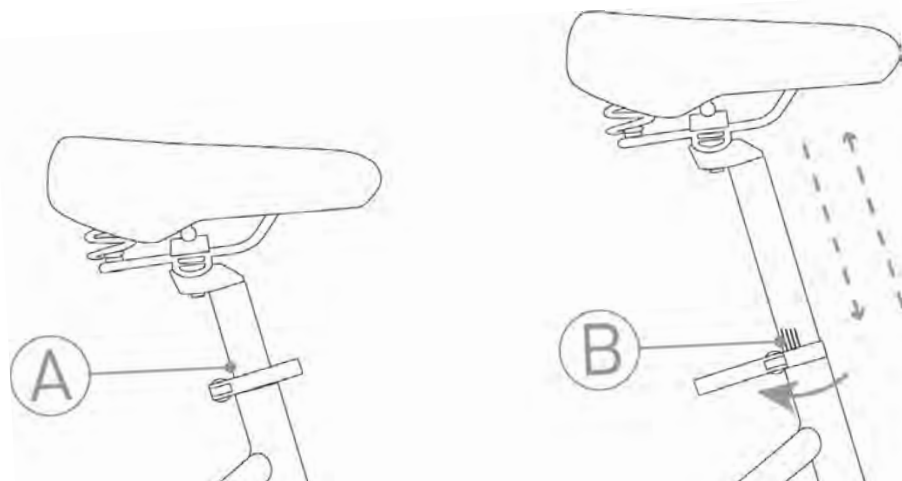
The pedal-assisted bicycle is delivered fully assembled and working.

2.6.1 Saddle adjustment

The adjustment of the height of the saddle is an essential prerogative for the correct use of the pedal-assisted bicycle. Incorrect adjustment can generate structural breaks to the frame.

Adjust the height of the saddle by operating the quick release mechanism (Ref. A - Figure 1).

Check that the mechanism is tightened before testing the seat and using the medium. Do not lift the saddle beyond the limit sign placed in the tube (Ref. B - Figure 1).



DANGER

IMPORTANT NOTICE:

For your safety, the reference mark of the seatpost tube (B) should never be outside the tube where the seatpost tube is inserted .



ATTENTION

ASSEMBLY

In the event that you do not have the appropriate instrumentation for adjustment or do not have the capabilities, contact the authorized dealer.

FIG. 1



2.6.2 Handlebar adjustment

For a comfortable posture on the bike, which does not cause neck or back pain, we recommend the handlebar column height adjustments and handlebar fold rotation.

To adjust the height of the handlebar column, remove the protective rubber cap (Ref.C - Figure 2) and loosen the expander screw below, without removing it completely, using the suitable Allen wrench. At this point proceed with the adjustment of the height of the column remembering never to exceed the minimum limit of insertion (Ref. D - Figure 2).

Adjusted the desired height, tighten the fixing screw.

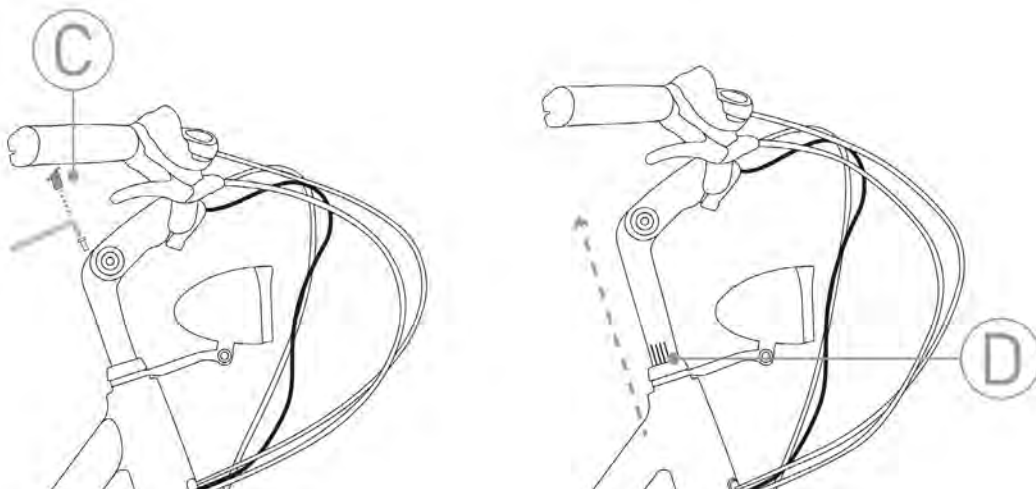


FIG. 2



IMPORTANT NOTICE:
Check that the minimum
insertion mark (D) is not
visible.

For perfect ergonomics, rotate the handlebar by loosening the two fixing screws (Ref. E Figure 3). Make sure you have tightened the screws correctly before using the pedal-assisted bicycle.

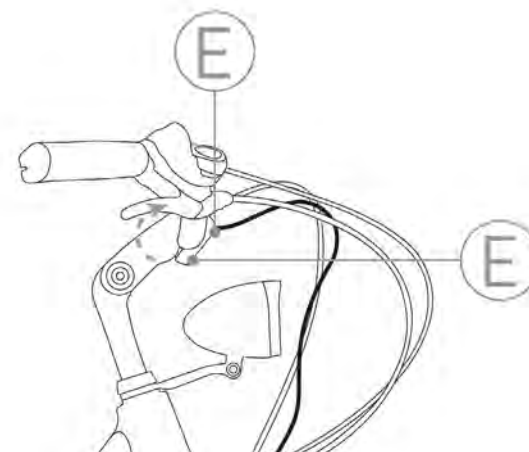


FIG. 3



ATTENTION

ASSEMBLY

In the event that you do not have the appropriate equipment for adjustment or do not have the skills contact the authorized dealer.

2.6.3 Pedal mounting

Right Pedal: it is identified by the letter R marked on its pin. For pedal mounting, screw by turning the pin clockwise. (Figure 4)

Left Pedal: it is identified by the letter L marked on its pin. For pedal mounting, screw by turning the pin counterclockwise. (Figure 4)



ATTENTION

ASSEMBLY

For a correct tightening of the pedals, it is necessary to use a key of 15



ATTENTION

ASSEMBLY

If you do not have the appropriate equipment for adjustment or do not have the skills, contact the authorized dealer.

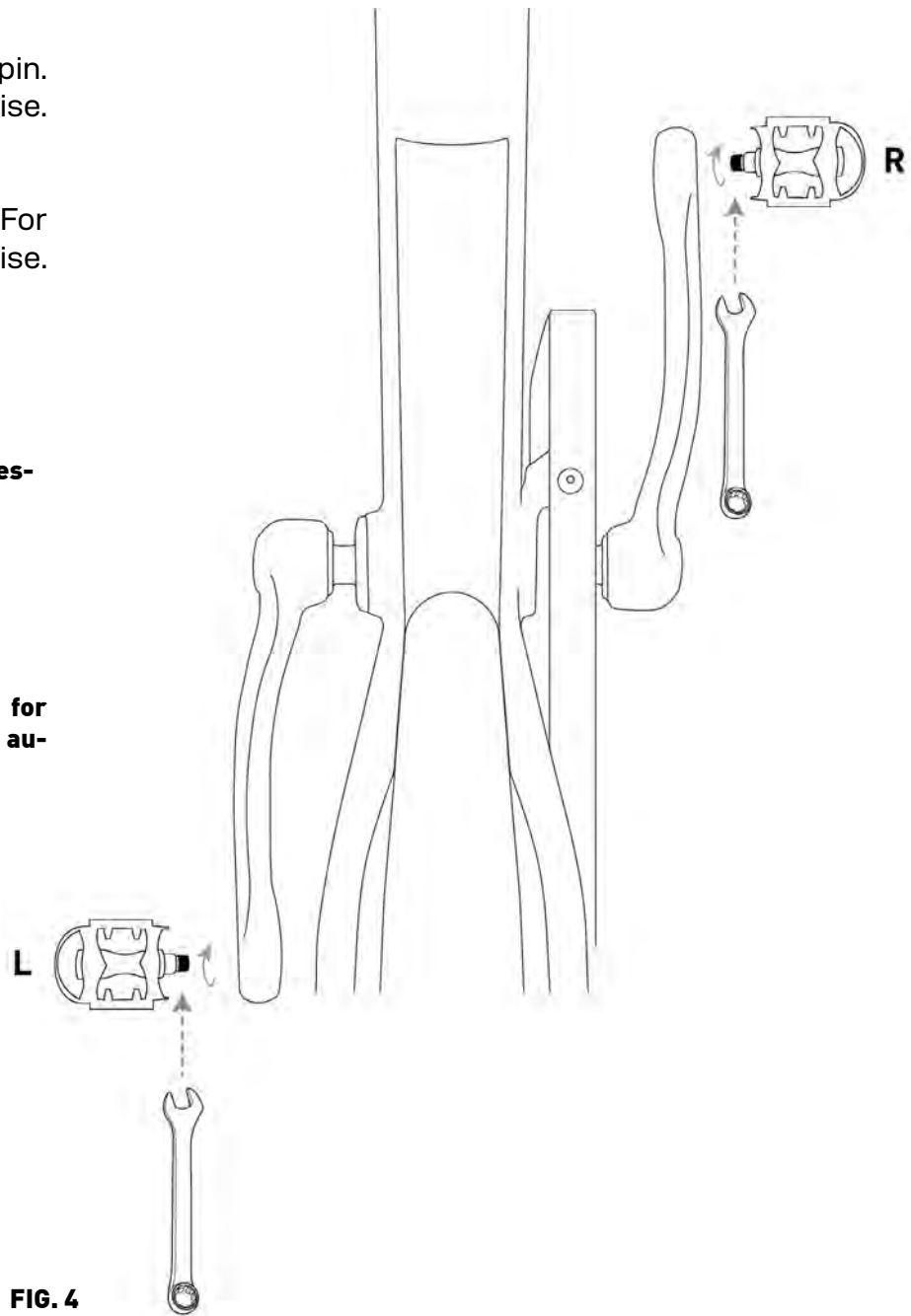


FIG. 4

3. BICYCLE DESCRIPTION

3.1 General description

The pedal-assisted bicycle is designed and built to be used outdoors, on roads and private or public environments. In particular, the components and the type of pedal-assisted bicycle allow you to tackle routes with asphalt surfaces or with similar characteristics without particular roughness.



DANGER

INCORRECT AND UNINTENDED USE

The bicycle has been designed and manufactured for the specified use; a different use and failure to comply with the technical parameters set by the manufacturer may constitute a dangerous condition for users.

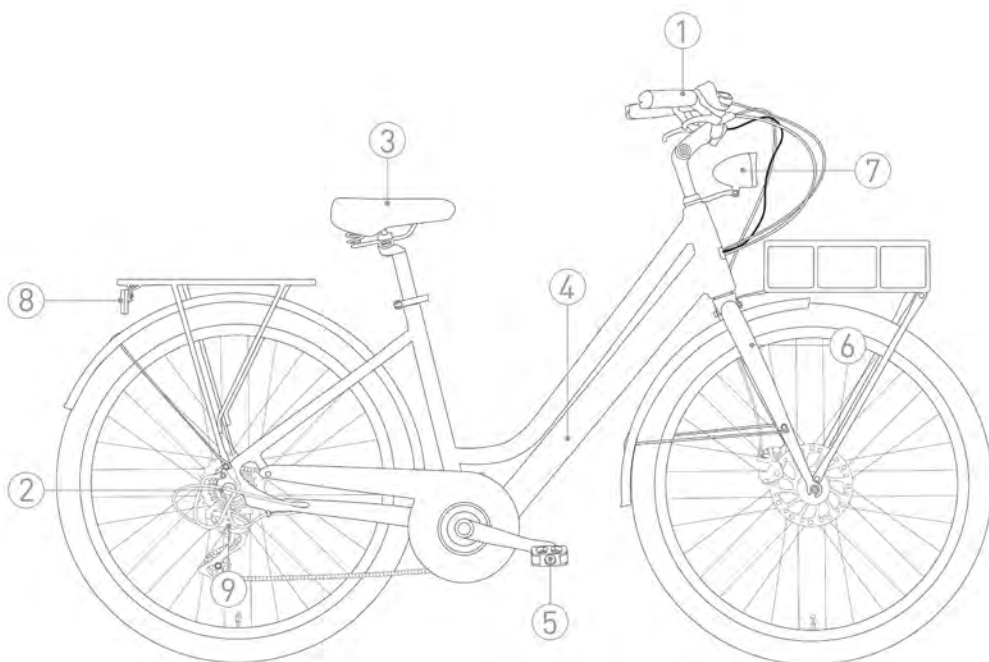
The pedal-assisted bicycle is equipped with a rechargeable battery and an electric motor, whose intervention takes place only in conjunction with the pedaling and gradually stops as the speed of the vehicle approaches 25 km / h, and then stops completely at that speed.

For the management of the assistance system there is a special display located on the left side of the handlebar. On the right side of the handlebar there is a control system for adjusting the gears.



3.2 Technical sheet

1. HANDLEBARS AND CONTROLS
2. MOTOR
3. SADDLE
4. BATTERY
5. PEDALS
6. FORK
7. FRONT LIGHT
8. REAR LIGHT
9. REAR DERAILLEUR



CODE	E928
FRAME	HYDROFORMED ALUMINIUM
FORK	RIGID STEEL
CRANKSET	38 TEETH
REAR DERAILLEUR	ACERA
SHIFTERS	7 VELOCITY
BRAKES	PROMAX DSK 300 MECHANICAL
DISKS	PROMAX DT ANT: Ø160MM POST:Ø160MM
WHEELS	700*45C
SADDLE	MBM COMFORT BY BASSANO WITH COIL SPRINGS
PEDALS	RIGHT AND LEFT IN NON-SLIP POLYMER MATERIAL
LIGHTS	BATTERY-POWERED FRONT AND REAR
MOTOR	REAR HUB ETROTEK DGW07 30 Nm
BATTERY	SPARD YT 30240, 36V, 7Ah 252 Wh
SPEED MAX ASSISTANCE	25 KM/h
DISPLAY	LED
POWER LEVELS	5
WEIGHT	21 KG



3.3 Brake levers

The brake levers (Ref. F - Figure 5) are placed on the handlebars of the pedal-assisted bicycle, near the knobs (Ref. G - Figure 5). These systems allow the braking system to be operated by controlling the disc brake calipers located near the wheel hubs. The braking action is proportional to the force applied on the levers.

The right brake lever applies the rear brake while the left brake lever actuates the front brake.

3.4 Speed change

The pedal-assisted bike has a 7-speed gearbox, with the sprockets positioned on the rear wheel hub and selectable by means of the opposing levers located at the base of the right knob. The indicator (Ref. H - Figure 5) at the top of the handlebar allows you to view the selected ratio.

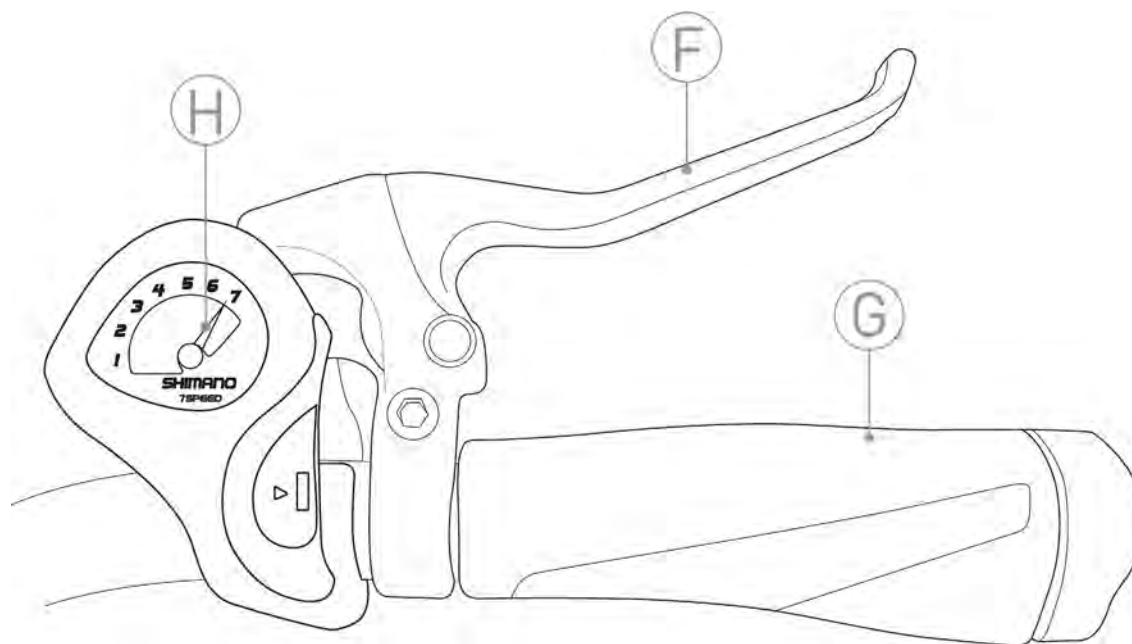


FIG. 5

3.5 Assistance system

3.5.1 Commands

To manage the assistance system there is a controller on the left side of the handlebar. This device allows you to vary the level of assistance of the system and to view information about the status of the battery.

3.5.2 Service levels

To know the exact intensity of assistance, based on the selected value, see below.

LEVEL 0 - NOTHING ASSISTANCE

LEVEL 2 - ASSISTANCE 15%

RECOMMENDED ROUTE: PLAIN - LONG DISTANCES

LEVEL 2 - ASSISTANCE 25%

RECOMMENDED ROUTE: PLAIN/HILLY - MEDIUM-LONG DISTANCES

LEVEL 3 - ASSISTANCE 50%

RECOMMENDED ROUTE: HILLY /MEDIUM CLIMB - MEDIUM DISTANCES

LEVEL 4 - ASSISTANCE 75%

PATH ADVISED: CLIMB - RUNS MEDIUM COURT

LEVEL 5 - ASSISTANCE 100%

RECOMMENDED ROUTE: CHALLENGING CLIMB - SHORT DISTANCE

3.6 Activate support

The assistance system is controlled by the controller on the handlebar. In particular, the assistance is activated or deactivated using the on/off button (Ref. M - Figure 6). Once the system is activated, the management display itself is switched on (Ref. I - Figure 6), through which it is possible to see the activity status of the middle.

The power of the engine depends on the number of pedal strokes per minute, according to a multiplicative factor according to the selected level of assistance (Ref. 1 - Figure 6). The assistance drops linearly until it reaches 25 km/h. Once this speed is exceeded, the assistance is automatically deactivated.

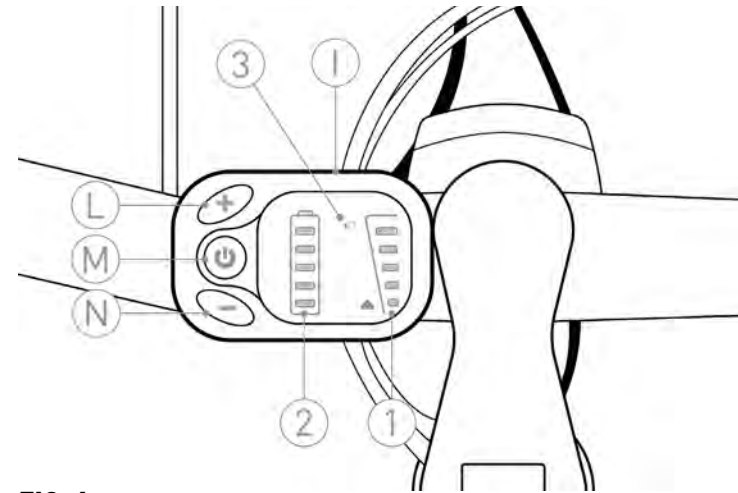


FIG. 6

L - THE BUTTON ALLOWS YOU TO INCREASE THE LEVEL OF ASSISTANCE. A LONG PRESS ALLOWS YOU TO TURN ON THE FRONT AND REAR LIGHTS IF POWERED BY THE E-BIKE BATTERY.

M - PRESS AND HOLD TO TURN ON/OFF THE ASSISTANCE SYSTEM.

N - THE BUTTON ALLOWS YOU TO DECREASE THE LEVEL OF ASSISTANCE. A LONG PRESS ALLOWS YOU TO ACTIVATE THE WALK MODE.

I - THE DISPLAY ALLOWS YOU TO VIEW THE FOLLOWING INFORMATION:

- 1- Level of assistance provided by the engine.
- 2- Battery status.
- 3- Turning lights on/off.

3.7 Walking assistance mode

The pedal-assisted bicycle is equipped with the Walk function for walking assistance.

This function allows you to move the bike more easily during manual movement in case it is short of small climbs. To activate the aforementioned mode, turn on the assistance system using the appropriate button (Ref. M - Figure 6). At this point, press and hold the "-" button (Ref. N - Figure 6).

Once the "-" button is released, the assistance is automatically deactivated

3.8 Battery

The assistance system of the pedal-assisted bicycle, to work, needs the presence of the power supply battery. Specifically, the battery is removable, so you can take it out for maintenance actions or when you want to store the vehicle.

3.8.1 Battery charge status

By pressing the activation button of the assistance you have directly the display of the battery charge status on the control display. With the discharge of the battery you will have the shutdown of the 5 LED lights indicating the state of charge on the display and, subsequently, the shutdown of the assistance system when you will have the complete discharge of the battery of system power supply.

3.8.2 Battery removal/installation

To remove the battery, do the following:

1. Disassemble the chain cover and cranks to access the three battery fixing screws on the right side of the frame (RIF.1 - Figure 7);
2. Remove the three screws from the frame and gently remove the battery from its housing (REF.2 - Figure 7);
3. Completely remove the battery from the frame (Ref. 3 - Figure 7).

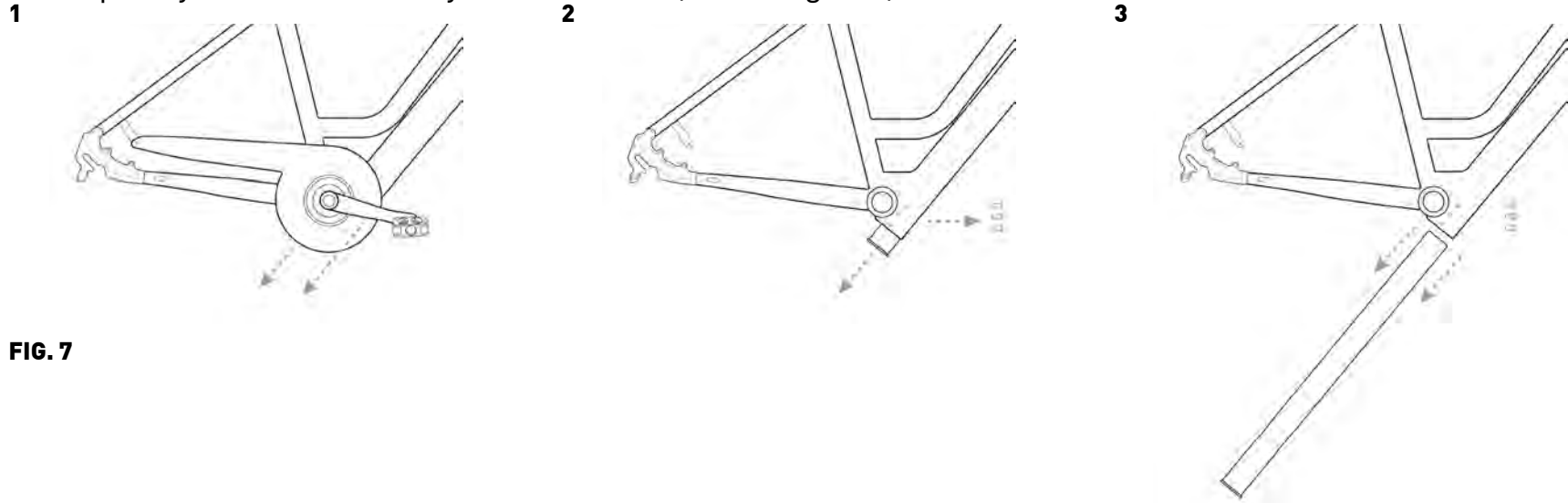


FIG. 7

For the insertion of battery proceed What Follows:

1. Align the battery to the oblique pipe of the frame (REF.1 - Figure 8);
2. Insert the battery inside the frame until the three holes on the right side of the frame align with those of the battery and tighten the three fixing screws (REF.2 - Figure 8);
3. Assemble the chain cover crankcase and the previously disassembled cranks. (REF.3 - Figure 8);

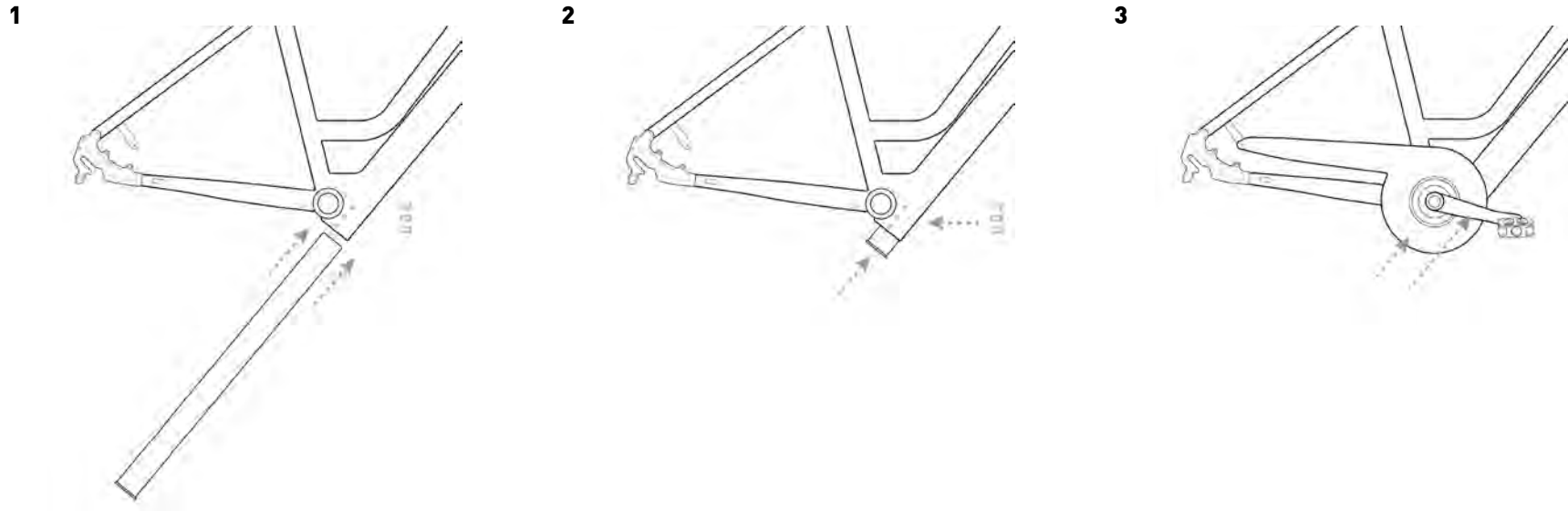


FIG. 8

3.8.3 Battery charging

The charging of the battery of the pedal-assisted bicycle can be done with the battery assembled on the vehicle or removed from it. In particular, proceed as follows:

- 1- Turn off the assistance system of the pedal-assisted bicycle using the appropriate button on the display (Ref. M – Figure 6);
- 2- Lift the rubber stopper on the battery socket, located on the left side of the frame (Figure 9);
- 3- Connect the supplied battery charger with the appropriate plug;
- 4- Connect the battery charger to a power outlet (230 V / 50 Hz) and charge the battery for the necessary time;

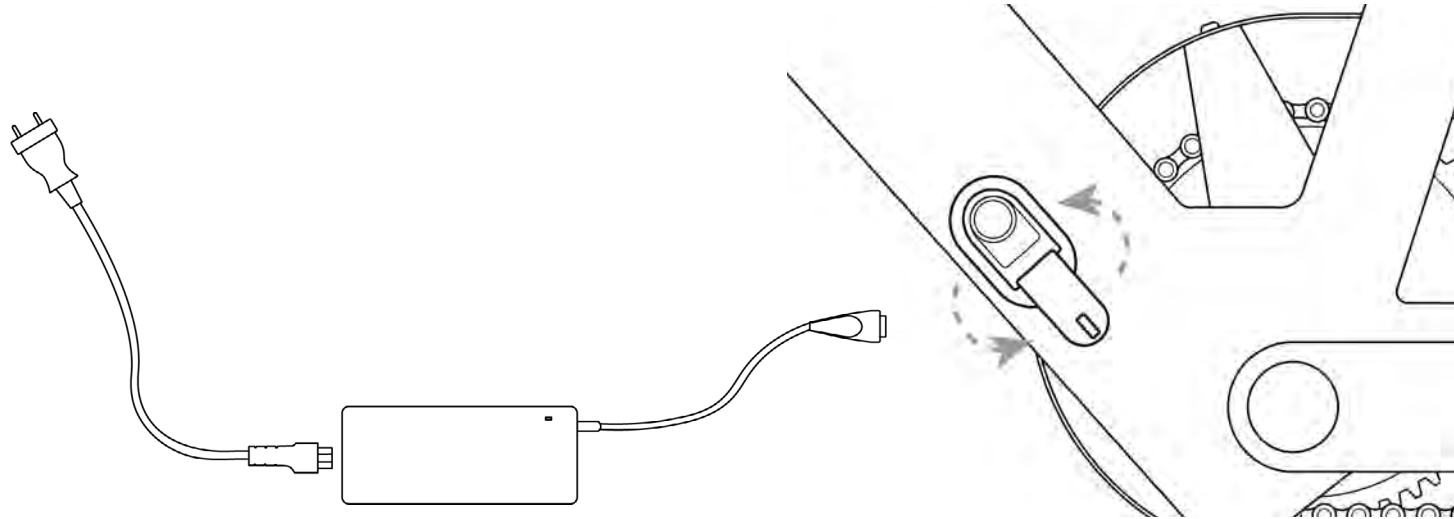


FIG. 9

3.8.4 Troubleshooting

PROBLEM	CAUSE/SOLUTION
The system does not turn on	Check that the battery is charged

PROBLEM	CAUSE/SOLUTION
Support does not activate	Check that the charge level of the battery is sufficient.



ATTENTION

BATTERY CHARGER

Always connect the plug to the battery first and then the battery charger to the power outlet.



ATTENTION

TROUBLESHOOTING

In case the assistance system does not activate even if the battery is charged, contact your authorized dealer.



3.9 Front and rear light

To ensure visibility during both day and night hours, two lights are installed, one front (Figure 10) and one rear (Figure 11). These devices are operated by means of an on/off button (Ref.Q - Figures 10-11).

To replace the batteries, remove the screw (Ref. R - Figures 12-13) and open the device.

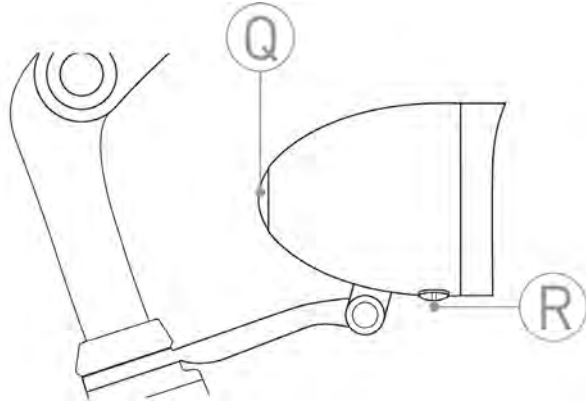


FIG. 10

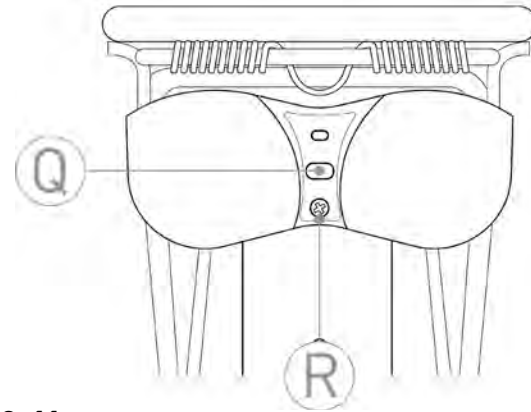


FIG. 11

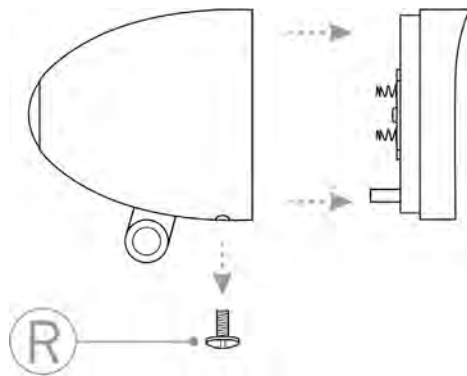


FIG. 12

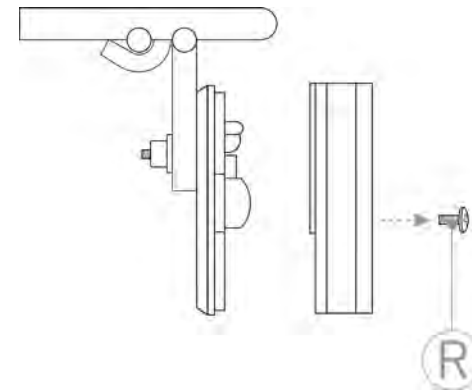


FIG. 13



4. CONDITION OF USE AND INTENDED ENVIRONMENTS

4.1 Intended use

The pedal-assisted bicycle is designed and built to be used outdoors, on roads and private or public environments. In particular, the components and the type of pedal-assisted bicycle allow you to tackle routes with asphalt surfaces, or with similar characteristics, without particular roughness.

Any change in the state of construction can compromise the behaviour, safety and stability of the assisted bicycle and can lead to an accident.

Other types of use, or the extension of the use beyond that envisaged, do not correspond to the intended purpose assigned by the manufacturer, and therefore the same can not assume any responsibility for any resulting damage.

4.2 Environment of use

The pedal-assisted bicycle can be used outdoors, in the absence of adverse weather conditions (heavy rain, hail, snow, strong wind, etc.):

- Maximum permissible temperature: +40°C
- Minimum permissible temperature: 0°C
- Maximum permissible humidity: 70%
- Charging temperature: 0 - 40°C

The environment of use may have an asphalted bottom or with not excessively high roughness.

In addition, the place of use must be illuminated, by the sun or by artificial lights, in such a way as to guarantee the correct vision of the route and the controls of the pedal-assisted bicycle (recommended from 300 to 500 lux). The pedal-assisted bicycle is equipped with a white front light and a red light rear light.

PROHIBITED USE ENVIRONMENTS

The pedal-assisted bicycle should not be used:

- **in areas at risk of fire or explosion;**
- **in environments with a corrosive and/or chemically active atmosphere;**
- **in poorly lit environments;**
- **On excessively inaccessible terrain, given the characteristics of the same (frame, wheels, etc.);**
- **In enclosed spaces, if they do not allow safe use;**
- **In extremely dark environments.**



ATTENTION



4.3 Improper uses and contraindications

The actions described below, which obviously cannot cover the entire range of potential possibilities of "misuse" of the pedal-assisted bicycle, are to be considered absolutely Prohibited.



ATTENTION

PROHIBITED OPERATIONS

- **The execution of prohibited operations invalidates the warranty;**
- **The manufacturer declines all responsibility for any damage to property and persons resulting from the execution of prohibited operations.**



DANGER

ABSOLUTELY FORBIDDEN

- **Use the pedal-assisted bicycle for uses other than those for which it was built.**
- **Ride the pedal-assisted bicycle in areas where there is a danger of explosions;**
- **Ride the pedal-assisted bicycle in the presence of adverse weather conditions (heavy rain, hail, snow, strong wind, etc.);**
- **Ride the pedal-assisted bicycle under the influence of alcohol or drugs;**
- **Ride the pedal-assisted bicycle if your weight is higher than allowed;**
- **Charge the battery in an environment that is too hot or not sufficiently ventilated;**
- **Cover the battery while charging;**
- **Smoke or use open flame near the charging area;**
- **Transit or stop on sloping surfaces (greater than 10%) or excessively uneven (with holes, depressions, obstacles, etc.);**
- **Perform any maintenance with the battery connected;**
- **Use non-original spare parts;**
- **Insert the limbs or fingers between the moving parts of the bicycle;**
- **Use the pedal-assisted bicycle on unpaved terrain or with similar characteristics.**



5. LIFTING AND TRANSPORT

5.1 Lifting

The weight of the pedal-assisted bicycle model LA RUE is such that it can be lifted and transported by a person, also because of the overall dimensions. The optimal solution to perform the movement is to grab a handlebar knob and the back of the saddle.



DANGER

CRUSHING AND IMPACT

- **During lifting, extreme caution should be exercised to avoid damage to people and property;**
- **This operation must be performed by robust people.**

The manufacturer is not liable for breakages due to lifting and/or transporting the pedal-assisted bicycle after delivery.

5.2 Transport

To ensure the safety of transport on vans it is necessary to prevent the movement of the pedal-assisted bicycle. This is achieved by binding it with bands or anchor cables in good condition.

In this regard, coupling devices must be installed so as not to damage the frame and other parts of the bicycle.



DANGER

RISK OF ACCIDENT

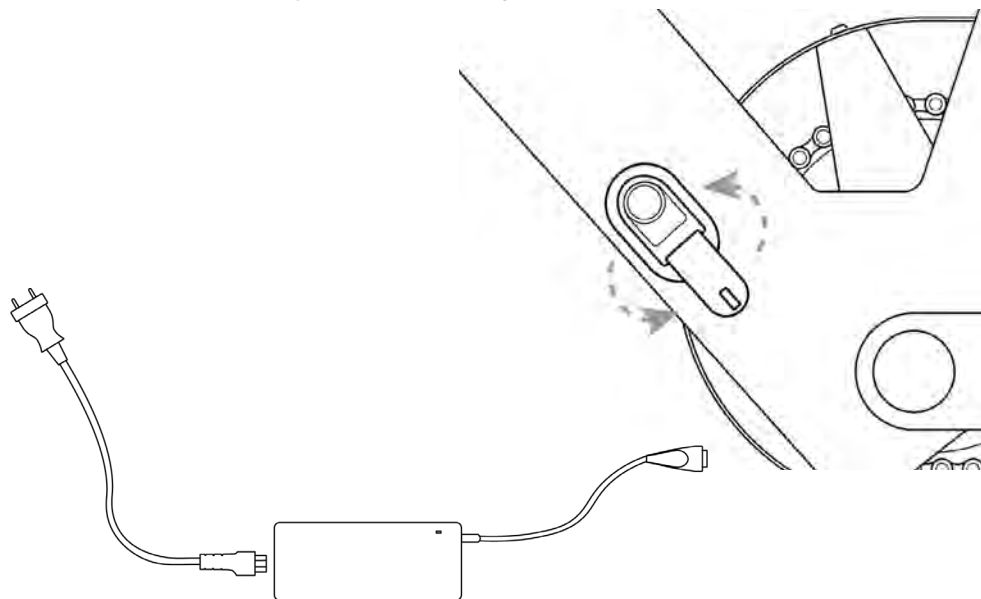
ALWAYS make sure that the adjustment screws of the frame and handlebars are tightly tightened before each use of the bike. Otherwise, accidents, even serious ones, could result!



6. COMMISSIONING

6.1 Battery charge

Before using the bike for the first time you must charge the battery for at least 8 hours, using the appropriate battery car supplied. The pedal-assisted bicycle, model LA RUE, is equipped with an electric motor powered by a 36V lithium-ion battery. The battery pack is positioned inside the frame in the oblique pipe of the vehicle. The average charging time varies from 4 to 6 hours. The charging operation can be carried out in a well-ventilated box with the battery installed on the bicycle. To charge the battery proceed as in clause 3.8.3



ATTENTION

BATTERY CHARGER

Always connect the plug to the battery first and then the battery charger to the power outlet.



ATTENTION

BATTERY CHARGE

The battery must not be completely discharged to preserve its life and not run the risk of damaging it. In any case, the same must be recharged at least every 3 months even in case of non-use of the bicycle.



DANGER

PRECAUTIONS WHEN CHARGING

- **Always connect the plug to the battery and then the power plug to the mains;**
 - **When charging is complete, always disconnect the plug from the mains first and then the plug from the battery;**
 - **Always recharge the battery completely;**
 - **Always use the original supplied power supply;**
 - **Do not leave the battery charging for more than 24 hours;**
 - **Always recharge in a ventilated environment;**
 - **Do not recharge the battery in too hot environments;**
 - **Do not recharge the battery in the vicinity of flammable liquids;**
 - **Do not cover the battery in any way while charging;**
 - **If the battery emits a bad smell, immediately disconnect the plug from the power supply and ventilate the room.**
- Do not touch the battery.**



6.2 Preliminary functional checks

Before each use, the driver must ensure the safety status of the pedal-assisted bicycle. Therefore, perform the following inspections before riding the pedal-assisted bicycle.

6.2.1 Control devices

Check the efficiency and state of charge of the battery. Use in a very cold environment quickly degrades battery efficiency. Check the tension and lubrication of the chain.

6.2.2 Wheels

Check the tire inflation pressure. Check the state of wear of the tread: there must be no cuts, cracks, foreign bodies, abnormal bulges, visible canvases and other damage.



ATTENTION

Do not inflate tyres beyond the permissible value reported by the manufacturer on the side surface of the tyres .

6.2.3 Braking

Perform a visual inspection of the braking system verifying that there are no damaged cables or lubricants in the braking surfaces of the brake discs. Check the operation of the brakes with a low-speed braking test on flat, obstacle-free terrain, first with the rear brake and then with the front one.



ATTENTION

NEGATIVE VERIFICATION

In the event that, during the preliminary checks, defects of any kind should be found and even a single verification is negative, DO NOT RIDE THE PEDAL-ASSISTED BICYCLE. Immediately activate all measures to carry out a proper repair and, if necessary, contact the authorized dealer or an authorized workshop.



6.2.4 Frame, handlebar and saddle position

Check that the saddle and handlebars are properly attached to the frame and placed in the most comfortable configuration for the driver. Otherwise, before departure, act on the control systems the position of the saddle and handlebars. For more information on the regulation refer to section 2.6.

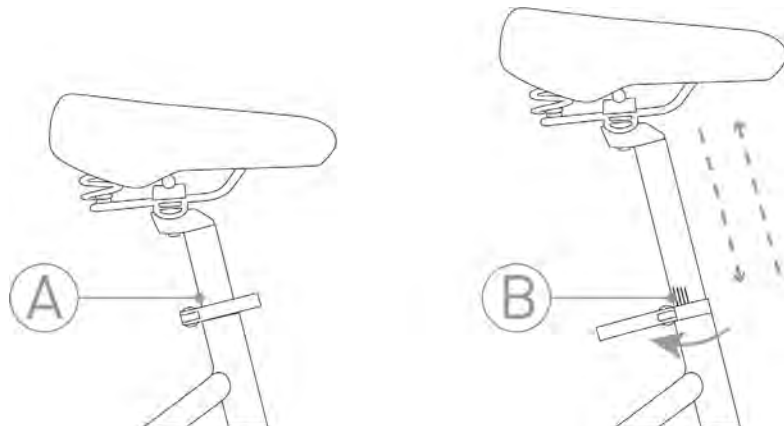


FIG. 1



IMPORTANT NOTICE:
Check that the minimum insertion mark (B) is not visible.

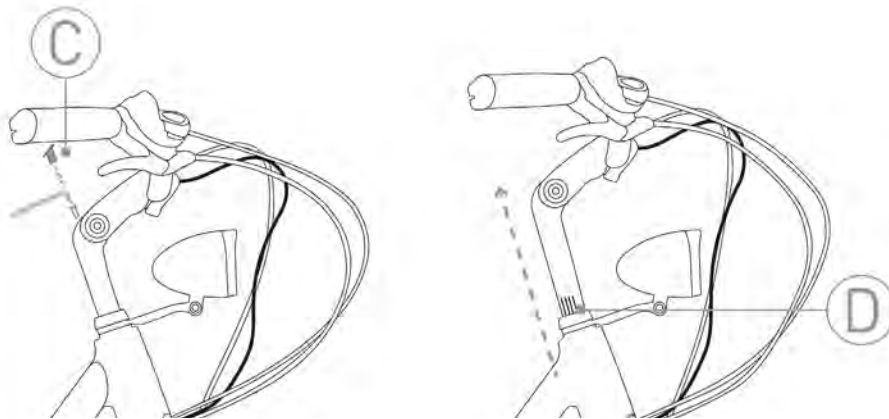


FIG. 2

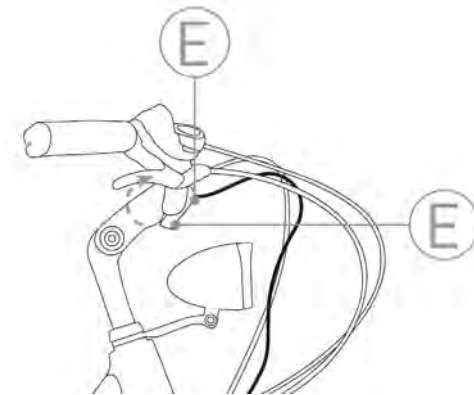


FIG. 3



IMPORTANT NOTICE:
Check that the minimum insertion mark (D) is not visible.



6.2.5 Brake adjustment

Adjust the brake lever to ensure a firm handlebar grip even when braking.

To apply maximum braking power to the lever you can make the following adjustments:

- Rotate the brake lever using the clamping screw (Ref. U - Figure 15) until you reach a comfortable position of the hand;
- Vary the stroke of the brake lever by acting on the register (Ref. T - Figure 15).



ATTENTION

An excessive stroke of the brake lever leads to the contact of the same with the knob limiting the braking action and causing the possible crushing of the fingers.

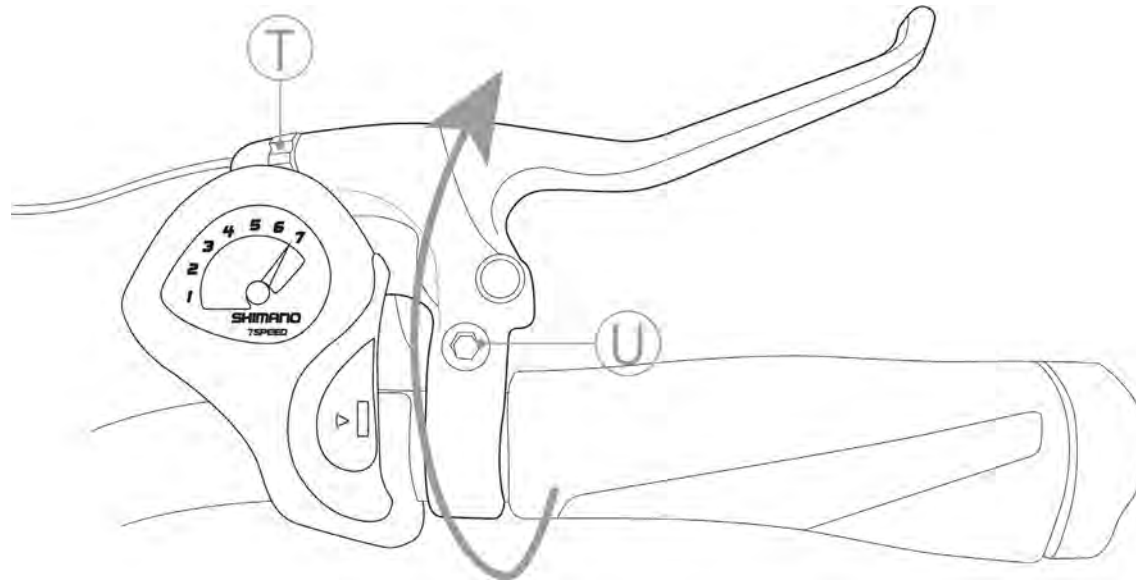


FIG. 15



ADJUSTMENTS

It is strictly forbidden to regulate the devices of the bicycle if you are not an experienced and educated person to do so. Incorrect regulation can lead to serious injuries.

Therefore, if you are not able to regulate these functions, contact specialized personnel.

The manufacturer is not liable for accidents resulting from incorrect adjustment of the pedal-assisted bicycle devices.

6.2.6 Headlight operation

Before using the pedal-assisted bicycle, check the operation of the front and rear lights by operating the on/off button (Ref. Q - Figures 10-11). For further information please refer to section 3.9.

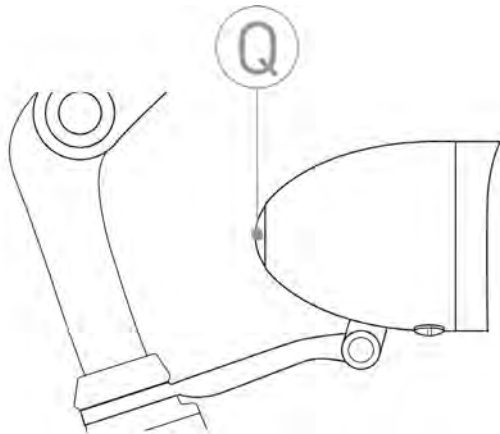


FIG. 10

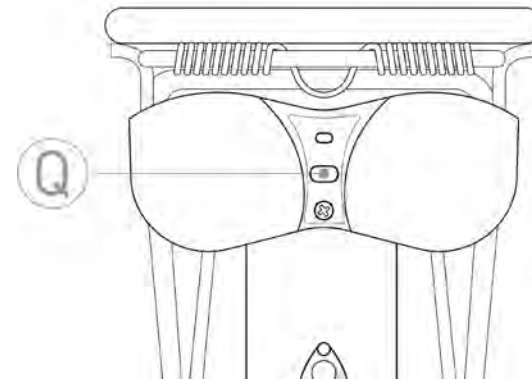


FIG. 11



7. USE OF THE BICYCLE

The pedal-assisted bicycle has been designed and built for use in open places, with asphalt bottom or similar, for amateur use.

- It can only be used by experienced adults and children.
- The use of the pedal-assisted bicycle is not recommended for pregnant women;
- Do not take alcohol or drugs before riding the pedal-assisted bicycle;
- Don't ask your pedal-assisted bike for performance that's superior to what it was designed for. Use the bike only in the manner and intended uses described in this manual;
- Never ride the pedal-assisted bicycle with disassembled parts;
- The pedal-assisted bicycle cannot be used on very wet, icy or slippery surfaces;
- Avoid very uneven surfaces and obstacles;
- Ride with both hands on the handlebars;
- Replace worn and/or damaged parts. Possibly, if necessary, have it checked by authorized personnel.

Before leaving, carry out all the checks reported in the previous chapter and always keep focused while driving, for your own safety and that of others



DANGER

DANGER OF ACCIDENTS

- **Verify that all commands are fully functional.**
- **Always respect the highway code.**
- **Use the appropriate protective equipment (helmet etc.)**



7.1 Use of the bicycle

Before using the pedal-assisted bicycle in places open to traffic, it is advisable to familiarize yourself with the behavior of the vehicle.

The first uses must be made in private environments away from traffic, other cyclists and obstacles of any kind.

The driver must adapt the driving speed of the pedal-assisted bicycle to the conditions of the route and the presence of other vehicles or pedestrians. Especially when facing curves you have to keep a moderate speed (the smaller the radius of the curve, the lower the speed). When the driver stops pedaling or the speed reaches 25 km/h, the electric motor no longer provides assistance and the bicycle proceeds completely managed by the Pedals.

It is essential to gain experience in riding the pedal-assisted bicycle before proceeding at high speed. In case you do not want to use the motor, simply remove the battery or set the lower level of assistance.

7.2 Braking

To minimize the stopping distances of the vehicle it is necessary to suddenly stop pedaling and, subsequently, apply braking force gradually so as not to destabilize the middle.

Encourage the use of the rear brake under braking to stabilize the bicycle.



ATTENTION

DRIVING CONDUCT

Excessive braking force can trigger harmful phenomena such as locking the wheel or overturning the vehicle. It is very dangerous to brake when cornering: you may lose control of the bike.

7.3 Bicycle parking

The bike is equipped with a side support stand. Therefore, before abandoning the bike check that the stand is fully extended and resting on stable ground.

The bicycle must be parked in the prepared parking areas and, in any case, without obstructing the passage paths, emergency exits, electrical panels and workstations antire.



8. MAINTENANCE

8.1 Generalities



DANGER OF ACCIDENTS

During all maintenance work, follow the appropriate safety measures. In this regard, consult the indications on p. 5. All maintenance operations must be performed with the battery disconnected from the pedal assist bicycle and the battery charger; the bicycle must be placed in a stable way taking advantage of special support elements.

To maintain the full functionality of your pedal-assisted bicycle for a long time it is necessary to carry out maintenance as described, with correctness and professional skills.

After each routine maintenance intervention, a check on the perfect functioning of all the controls is mandatory.

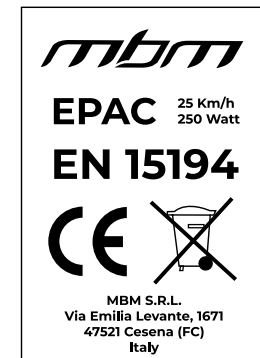
8.2 Daily maintenance and checks

8.2.1 Tags and pictograms check

Check the legibility and presence of the CE plate, and the warning stickers applied to the body of the bicycle.

8.2.2 Wheel check

Through the special inflation valve on the rims, check the inflation pressure of the tires using a compressor and a gun with pressure gauge, or a pump. Check the status of the tread, the rim and the attachment of the rims to the hubs. In case of tyre replacement, please contact your authorised dealer or a qualified tyre dealer.



Do not inflate tyres beyond the permissible value reported by the manufacturer on the side surface of the tyres.

ATTENTION

8.2.3 Brake functioning check

The brakes must be adjusted in such a way as to ensure effective braking and, at the same time, the control levers must have an adequate stroke to be able to modulate braking: in other words the brakes must not be too slow or too pulled.

Precision brake adjustment

Brake adjustment should only be carried out by authorized personnel.



8.3 Maintenance and weekly

8.3.1 Washing and cleaning

The cleaning of the pedal-assisted bicycle is not only a matter of decorum, but also allows you to immediately detect a possible defect in the same.

In order not to damage or compromise the operation of the various components, especially the electrical parts, cleaning must be carried out taking some precautions. It is absolutely forbidden to direct jets of pressurized water towards the electrical parts, the motor and the battery, for which sponge washing is recommended.

Before starting the pedal-assisted bicycle, dry completely with low-pressure compressed air and check that there is no residual moisture left on the electrical components.

8.3.2 Lubrication and chain tension control

It is important to periodically clean and lubricate the chain to avoid corrosion due to atmospheric agents.

1. Wipe the entire length of the meshes with a rag.
2. Spray on all meshes a special grease in spray for transmission chains.

Check the correct tension of the chain by placing the gear-box in the two different extreme positions allowed by the sprocket pack.



CORRECT CHAIN LUBRICATION

Be extremely careful not to let go the lubricant on the brakes or tires of the bicycle. This can lead to the occurrence of serious injuries!

8.3.3 Frame and bolt control

The load-bearing frame of the pedal-assisted bicycle and the welds must be free of visible defects such as: cracks, deformations, incisions, corrosions, etc.

Make sure all the bolts of the pedal-assisted bicycle are tightly tightened.



8.4 Monthly maintenance and checks

8.4.1 Control of electrical circuits and components

Check the condition and fixing of the battery cables: the sheaths of the electrical cables must be in good condition and the terminals must be tight, not corroded and if necessary, covered with protective grease and specific insulation. Check that all light bulbs and lights have been switched on correctly.

8.4.2 Control and adjustment of the rear derailleur

Adjustment of the lower and upper limit switches of the gearbox: Turn the two screws (Ref. V-Z - Figure 19) so that the chain does not come out. The chain displacement device will have to be in line with both the larger and smaller gear. (Ref. Figure 20)

Lower limit adjustment

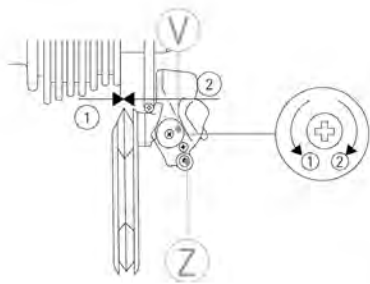


FIG. 19

Upper limit adjustment

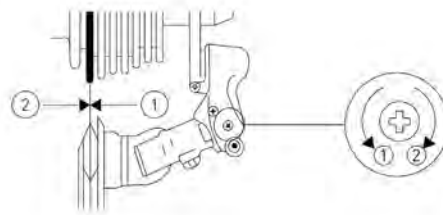


FIG. 20

Adjust the voltage of the cable by acting on the appropriate control to ensure the immediate response of the rear derailleur to the control of the handlebar. (Ref. Figure 21)

To prevent damage to the gearbox, it is recommended not to exert too much pressure on the pedals while changing gear. So, avoid changing when you make an effort or drive on a slope.

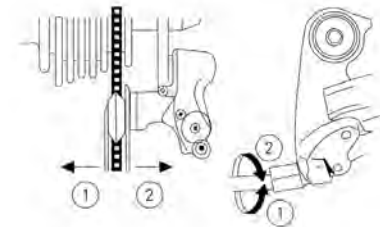


FIG. 21

9. TECHNICAL ASSISTANCE AND SPARE PARTS

If you need technical assistance, please contact your authorized dealer.
In case of assembly of non-original parts, the warranty loses validity!



ATTENTION

ORIGINAL SPARE PARTS

The manufacturer is exempt from any liability for damages of any kind generated by the use of non-original spare parts.

10. WAREHOUSE

In the event that the pedal-assisted bicycle should be stored and stored for long periods of inactivity, the following operations must be carried out:

- Repair it in a dry and ventilated place;
- Perform a general cleaning of the pedal-assisted bicycle;
- Remove the battery from the seat and store it in a special storage site (fully charged and recharge it regularly);
- Leave the bike on a special support;
- Protect exposed electrical contacts with antioxidant products;
- Grease all surfaces not protected by paints or anti-corrosion treatments.



11. DISPOSAL OF COMPONENTS AND MATERIALS



ATTENTION

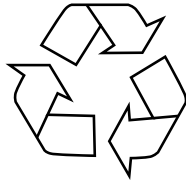
DISPOSAL OF MATERIALS

The disposal of packaging, waste and vacuumed dust, replaced parts and/or the pedal-assisted bicycle as a whole at the end of its intended life must be carried out in environmental respect, avoiding polluting soil, water and air and respecting in any case the national and local legislation in force on the subject.

Indications for waste treatment:

- Ferrous materials, aluminum, copper: these are recyclable materials to be given to a special authorized collection center;
- Plastic materials, fiberglass, gaskets, tires: these are materials to be sent to landfills or recycling centers;
- Batteries must be taken to authorized disposal centers.

Subdivide the materials according to their nature, commissioning specialized companies authorized to dispose of, in accordance with the provisions of the law.



12. WARRANTY RULES

MBM S.r.l. Unipersonale guarantees that its bicycles are free from any manufacturing or workmanship defects. This warranty covers the repair or replacement of any part recognized to be defective, subject to the following conditions:

TERMS AND CONDITIONS

- **Warranty period:** the pedal-assisted bicycle is guaranteed for 24 months on the mechanical and electrical parts, except for the batterie and all components subject to wear. The batteries are covered by a conditional warranty for 24 months and limited to proper use of the same:

- first 6 months 100% coverage;
- from the 7th to the 12th month 50% coverage;
- from the 13th to the 24th month coverage of 25%;

If the battery has been left to discharge below the allowed, the manufacturer is not responsible for any damage;

- In order to make this warranty effective, you must fill out the online form which is accessed via QR CODE or connect directly to the site warranty.mbbike.it by and no later than 15 days from the date of purchase of the bicycle. You will need the serial number and the photograph of the proof of purchase of the authorized retailer. In serial number it is printed on the label placed in the battery slide and on the battery itself. (Figure 22)

- Claims must be made through an official retailer by presenting the original tax document (receipt or invoice) and printing of the confirmation of activation of the warranty that you will receive gradually e-mail after filling out the online form.

- The warranty provides for the free replacement of any defective or prematurely worn part provided that all the pre-writings have been respected and the improper use of the bicycle. The manufacturer's obligations are limited to the replacement of defective parts.

- Finally, our Technical Department will decide whether or not the defective part or bicycle falls within the conditions of this warranty.

- This warranty does not cover in any way the replacement of worn parts from normal use of the bicycle.

- This warranty does not apply in any case to failures or damage caused by improper use of the bicycle, use of the bicycle for sports competitions, the application of non-original accessories, or improper maintenance work.

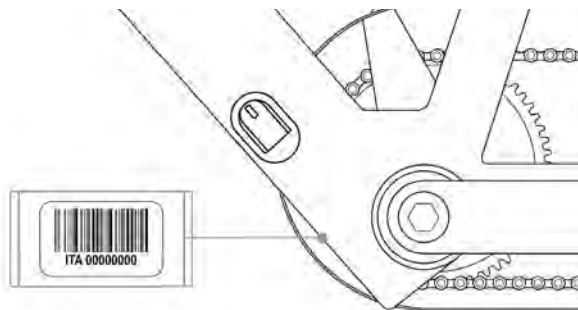


FIG. 22



**ACTIVE HERE
WARRANTY**



EXCLUSIONS

Normal wear and tear on parts subject to it, such as tires, chains, brake pads, cables, inner tubes and gear wheels in situations where there are no material defects.

- Bicycles assisted by an unauthorized MBM distributor.
- Changes from the original packaging.
- Use of the bike for abnormal activities, such as competition and/or commercial activities, or for purposes other than those for which the bike was designed.
- Damage caused by non-compliance with the user manual.
- They damage paints and decals as a result of exposing the bike or using it in harsh conditions and climates.
- Labor costs for replacing parts.
- Transport costs..

Except as provided in this warranty and remaining subject to all other warranties, MBM and its employees and agents shall not be liable for loss or damage of any kind (including incidental and consequential losses or damages caused by negligence or deficiency) arising out of or relating to any MBM bicycle.

The M.B.M. S.r.l. Unipersonale does not assume responsibility for damage to things and people, due to the improper use of the vehicle.

13. CONFORMITY C E

Hybrid-powered bicycles with a maximum support speed of 25km/h meet the requirements:

- 2006/42/EC Machinery Directive
- 2014/30/EU Electromagnetic Compatibility Directive
- 2011/65/EU Rohs Directive

These bicycles also comply with the following non-harmonized standards:

- Electric bicycles: EN 15194

Disclaimer.

It is strongly recommended not to remove or replace any original equipment or to modify the bicycle in any way that may change its design and / or operation. Such modifications could seriously damage the handling, stability and other aspects of the bike, making it unsafe. The removal or modification of parts, or the use of non-original equipment as spare parts, may make the bike no longer comply with applicable rules and laws.

To ensure safety, quality and reliability, use only original parts or MBM authorized spare parts for repair and replacement.





M.B.M. S.r.l. Unipersonale

Via Emilia Levante, 1671/73/75 | 47521 Cesena (FC)

Tel.: + 39 0547 -300364

Fax: +39 0547-304326

Email: info@mbmbike.it



W W W . M B M B I K E . I T