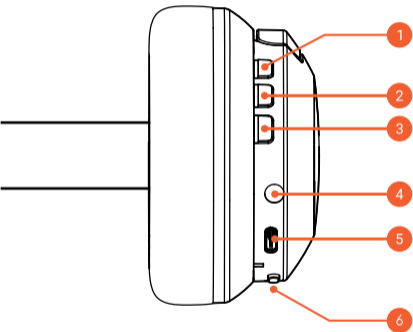




ROAR

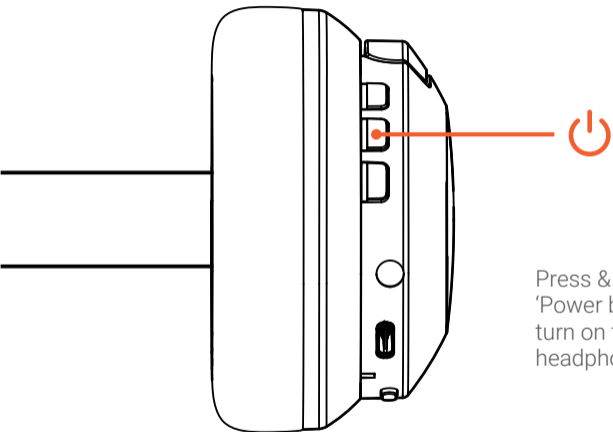
USER MANUAL

OVERVIEW



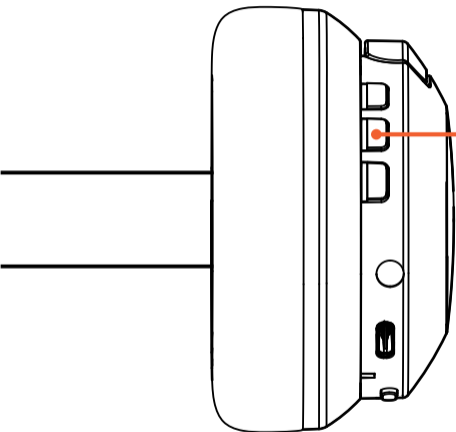
1. Volume + (Next)
2. Power button
3. Volume - (Previous)
4. Audio line
5. Charging port
6. ANC button

POWER ON



Press & hold the
'Power button' to
turn on the
headphones

POWER OFF



Press & hold the
'Power button' to
turn off the
headphones

CHARGING



1. Connect and use the Type-C cable provided in the box for charging
2. Full charge in less than 60mins.

LED INDICATOR ON CASE

Power On

Blue light will be On for 2 secs

Power Off

Red light blinks for 3 times

Low power

Red light blinks for every 5 secs

Charging

Red light stays On

Battery full

Blue light stays On



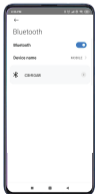
FIRST TIME PAIRING

1



Press & hold the 'Power button' to turn on the headphones

2



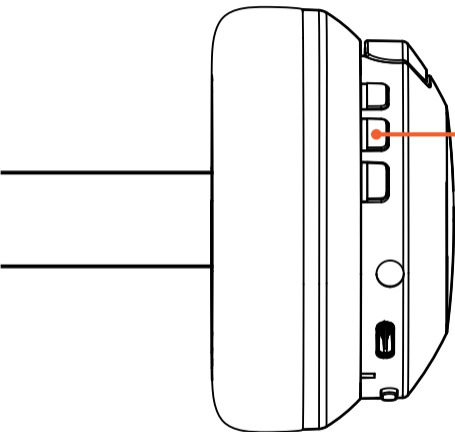
Search for 'CB-Roar' in your phone's BT list

3



Click to pair

RESET



Press the Power button
for 5 times to reset the
headphones

CONTROLS

Power On	· - - - - -	· Press and hold "Power button" for 2 seconds
Power Off	· - - - - -	· Press and hold "Power button" for 5 seconds
Play/Pause	· - - - - -	· Single press on the Power button
Previous Track	· - - - - -	· Press and hold the "-" button for 2 seconds
Next Track	· - - - - -	· Press and hold the "+" button for 2 seconds
Volume +	· - - - - -	· Single press on the "+" button
Volume -	· - - - - -	· Single press on the "-" button
Voice Assistant	· - - - - -	· Press the Power button for 3 times
Answer a call	· - - - - -	· Press the Power button once
End a call	· - - - - -	· Press the Power button once
Reject a call	· - - - - -	· Press & hold the Power button for 2 secs
Hang up a call	· - - - - -	· Single press on the Power button
Call back recent number	· - - - - -	· Press the Power button twice
Reset	· - - - - -	· Press the Power button for 5 times
ENC/ANC/Transparency mode	· - - - - -	· Toggle switch up/down



+91 80500 56565



+91 80500 56565



support@crossbeats.com