

- **Special Recipes**
- **Daisy Chain Connection**
- **Arbitrary combination of LED bars**



## TRANSFORMERS | EG-X4

### COMBINATION OF POWER

#### Product Description

The TRANSFORMERS EGX4 is an LED multi grow bar, with no shadow design and uniform illumination. It is widely used in vertical farming, greenhouse, indoor and outdoor growing and other environments.

#### Product Features

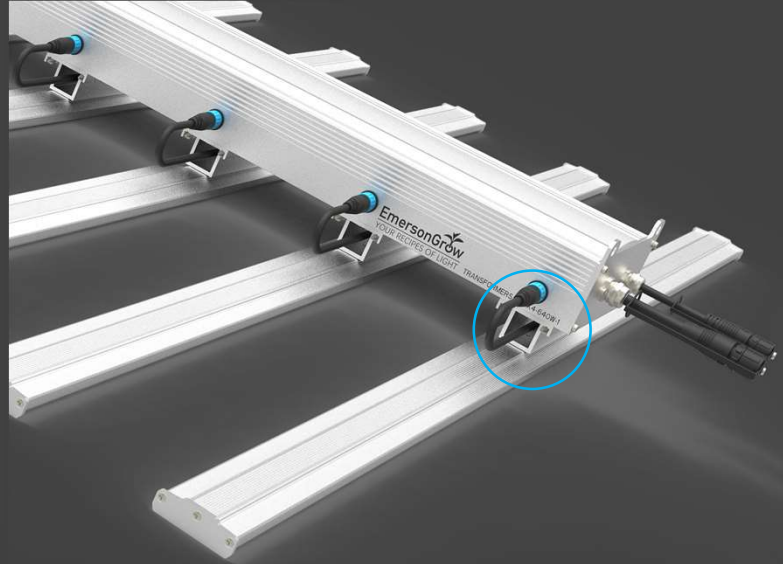
- AC120-277V, (347V & 480V is available for preorder)
- High power 640W, High efficiency (2.4~2.7umol/J, high output;
- IP54 waterproof
- No shadow design, good illumination uniformity;
- 1~10V dimming; 2-way dimmable is available
- Dimming can be Daisy chain, can control 20pcs at the same time;
- Module quick installation, good user experience , Patent design.



No Shadow Design



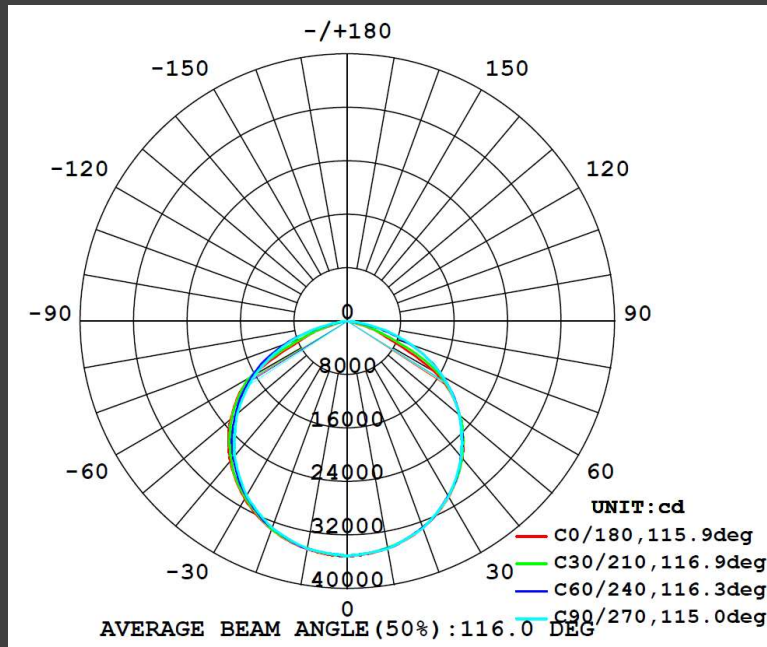
Card Buckle Connection Design



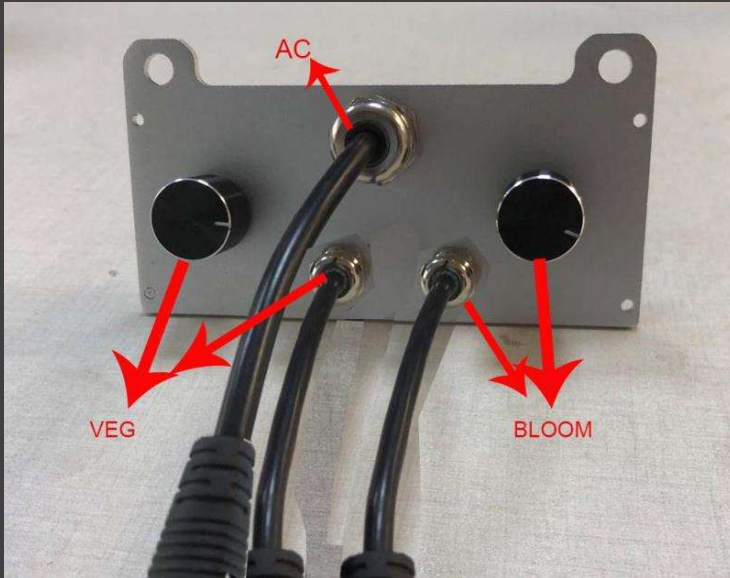
Product Parameters

1. Length: 4ftx4ft
2. Input Power: 640W
3. Life span: 50,000hours
4. PPF=1555~1728  $\mu\text{mol/s}$
5. Efficacy: 2.4~2.7  $\mu\text{mol/J}$
6. Dimming: 1~10V
7. Input voltage: 100-277V
8. Input current: 5.33A @ AC120V,  
2.31A @ AC277V,  
1.84A @ AC347V

Light Distribution Curve

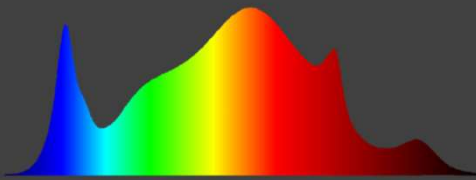


## 2-way dimmable option



### EG-Universal spectrum:

A general spectrum for almost all kinds of plants and different stage



## Application

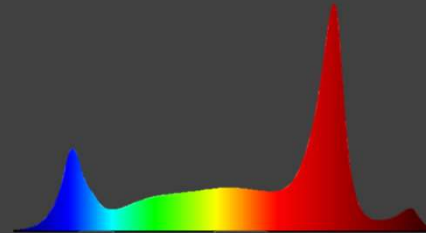
- Mass-production commercial growing
- Vertical farming
- Green house
- Indoor and outdoor growing

## Spectrum

EmersonGrow EG-X4 grow light is a full-cycle top-lighting solution for commercial horticulture cultivation, with the power to scale from vegetative growth to bloom. Angle is 120°; The spectrum can be customized according to customer requirements.

### EG-Flowering spectrum:

A specific spectrum for cannabis flowering stage



## Specification

Model	Size	Power	PPF μmol/s	EFFICACY μmol/J	Spectrum	Suggested mounting height	Suggested cover area
EGX4-640W	4ft×4ft	640W	1728	2.7	EG Universal	2.5-3.5ft	4ft×4ft
EGX4-640W	4ft×4ft	640W	1555	2.43	EG Flowering	2.5-3.5ft	4ft×4ft