

DT12

Track Dumpers



**WACKER
NEUSON**
all it takes!



Looking good anywhere

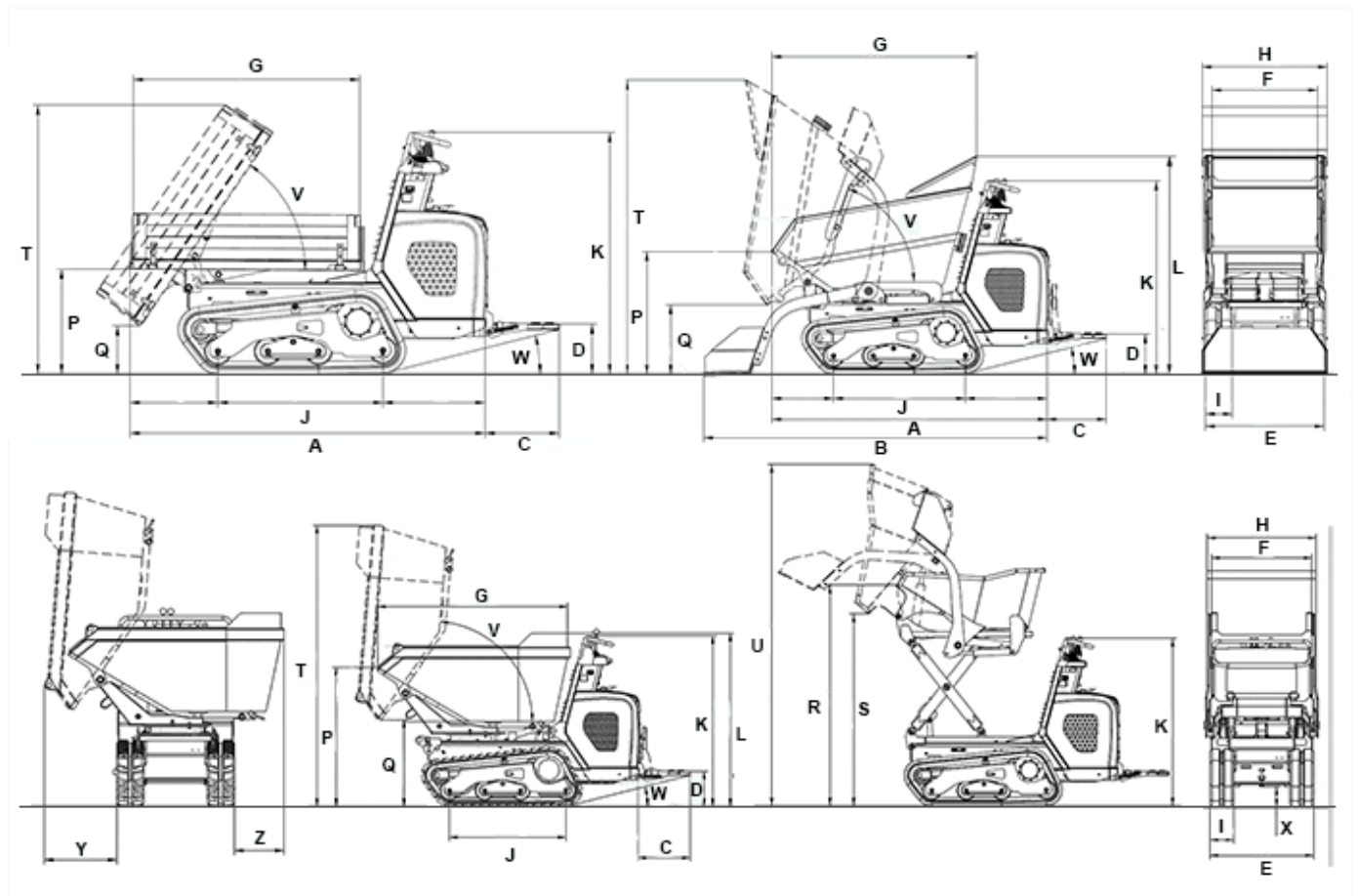
The track dumper DT 12 is the ideal transporter on all types of soil, such as gravel or sand, as well as boggy or hilly terrain. The tailor-made cooling system guarantees safe operation of the machine in high-temperature conditions.

- The hydrostatic drive enables easy and comfortable operation.
- Robust crawler design guarantees long service life with low wear and tear.
- The one-piece engine hatch and optimal configuration of the service points make daily maintenance easy.
- The rubber tracks and optimum weight distribution reduce the ground pressure and prevent damage to delicate surfaces.
- Optional self-loading system and high-tipping skip available.

DT12 Technical specifications

	Front tip skip	High tip skip	Front tip skip platform	Swivel tip skip
Operating data				
Shipping weight Diesel kg	655	765	610	795
Shipping weight SLE kg	725	835		
Payload max. kg	1,200	600	1,200	1,200
Skip capacity level I	393	240	210	431
Skip capacity heaped I	446	280	300	460
L x W x H mm	1,823 x 790 x 1,280	1,684 x 790 x 1,280	1,882 x 790 x 1,280	1,960 x 790 x 1,301
Engine / Motor				
Engine performance Diesel kW	12	12	12	12
at rpm rpm	2,700	2,700	2,700	2,700
Travel speed Diesel km/h	4	4	4	4
Gradeability %	36	36	36	36
Fuel tank capacity I	9.7	9.7	9.7	9.7

DT12 Dimensions



		Front tip skip	High tip skip	Drehkipmulde	Front tip skip platform
A	Length (without running board)	1,823 mm	1,684 mm	1,960 mm	1,882 mm
B	Length with self-loading equipment (without running board)	2,277 mm	2,240 mm		
C	Length of running board	393 mm	393 mm	393 mm	393 mm
D	Height over running board	265 mm	265 mm	265 mm	265 mm
E	Width Undercarriage	790 mm	790 mm	790 mm	790 mm
F	Skip width	700 mm	764 mm	730 mm	800 mm
G	Skip length	1,357 mm	1,134 mm	1,427 mm	1,200 mm
H	Width with self-loading equipment	830 mm	830 mm		
I	Chain width Track	180 mm	180 mm	180 mm	180 mm
J	Length Track	875 mm	875 mm	875 mm	875 mm
K	Height over control console	1,280 mm	1,280 mm	1,280 mm	1,280 mm
L	Height over skip hand protector	1,303 mm		1,301 mm	
P	Height of skip front edge	812 mm	1,076 mm	1,045 mm	555 mm
--	Skip height	466 mm	442 mm	570 mm	295 mm
Q	Dump height max.	460 mm	868 mm	650 mm	256 mm
R	Height of skip front edge when raised		1,688 mm		
S	Dump height max. of high-tipping		1,467 mm		

	skip when raised				
T	Height Max., skip raised	1,950 mm	2,009 mm	2,112 mm	1,430 mm
U	Height Max., high-tipping skip raised		2,610 mm		
V	Dump angle Skip dumping	70 °	82 °	85 °	56 °
W	Bucket rollback Running board retraction	14 °	14 °	14 °	14 °
X	Ground clearance	188 mm	160 mm	172 mm	160 mm

Please note: that product availability can vary from country to country. It is possible that information / products may not be available in your country. More detailed information on engine power can be found in the operator's manual; the stated power may vary due to specific operating conditions. Subject to alterations and errors excepted. Applicable also to illustrations.
 Copyright © 2019 Wacker Neuson SE.