

# 3001

## Wheel Dumpers



**WACKER  
NEUSON**  
*all it takes!*



### The complete package

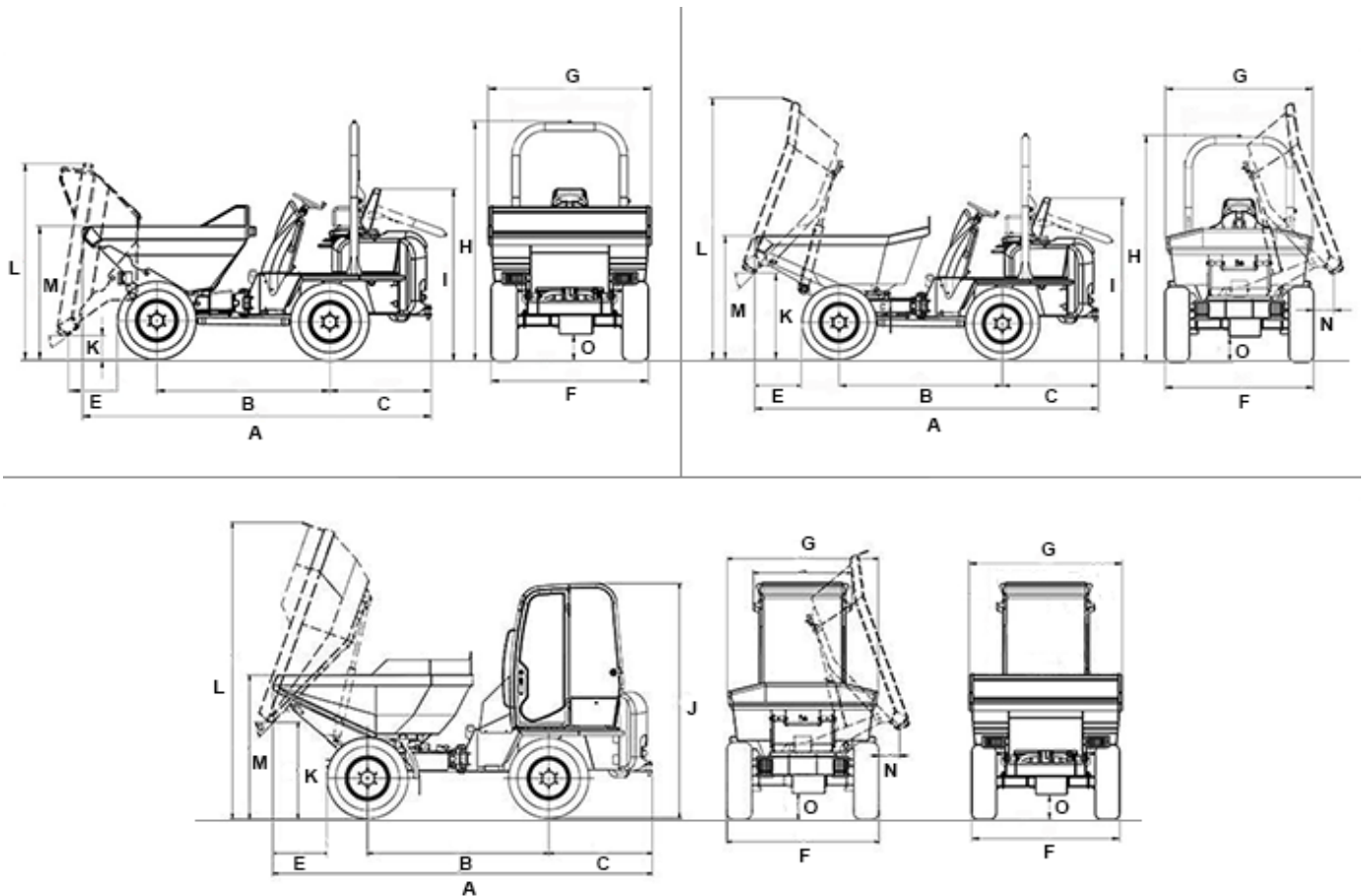
With its three different types of skip (incl. lower dumping height), a top speed of 25 km/h, high ground clearance and excellent off-road capability the 3001 is top of the class. Simply complete and completely simple.

- Low maintenance hydrostatic four-wheel drive, maximum payload 3,000 kg, optional cab available ex-works.
- 3 types of skip: Front tipping skip (standard), swivel tipping skip (optional); skip with lower dumping height (2,200 mm)
- High ground clearance.
- Large service and maintenance access with through hinged one-piece engine hatch.
- A top speed of 25 km/h gets transport jobs done fast.

## 3001 Technical specifications

	Front tip skip	Swivel tip skip	Low skip
<b>Operating data</b>			
Payload kg	3,000	3,000	2,600
Shipping weight kg	2,410	2,550	2,410
Skip capacity level I	1,500	1,300	1,020
Skip capacity heaped I	1,850	1,750	1,300
Skip capacity water level I	1,160	900	820
<b>Engine / Motor</b>			
Engine / Motor manufacturer	Yanmar	Yanmar	Yanmar
Engine / Motor type	3TNV88	3TNV88	3TNV88
Engine / Motor	Diesel	Diesel	Diesel
Engine performance acc. to ISO 3046/1 kW	26	26	26
Displacement cm <sup>3</sup>	1,642	1,642	1,642
Engine RPM rpm	2800	2800	2800
Travel speed km/h	22	22	22
Articulation angle °	37	37	37
Pendulum angle °	15	15	15
Turning radius mm	3,650	3,650	3,650
Gradeability %	50	50	50
Tires	11.50/80-15.3	11.50/80-15.3	11.50/80-15.3
L x W x H mm	3980 x 1785 x 2670	4140 x 1785 x 2670	4205 x 1785 x 2670
Steering pump	axial piston pump	axial piston pump	axial piston pump
Flow rate l/min	47	47	47
Operating pressure bar	360	360	360
Duty pump	gear pump	gear pump	gear pump
Flow rate l/min	47	47	47
Operating pressure bar	220	220	220
Sound level (LwA) dB(A)	101	101	101

## 3001 Dimensions



		Front tip skip	Swivel tip skip	Low skip
A	Overall length	3,980 mm	4,140 mm	4,205 mm
A	Overall length cabin	3,980 mm	4,140 mm	
B	Wheelbase	1,960 mm	1,960 mm	1,960 mm
C	Rear overhang	1,160 mm	1,160 mm	1,160 mm
E	Dumping distance	577 mm	600 mm	600 mm
F	Width	1,785 mm	1,785 mm	1,750 mm
G	Skip width	1,860 mm	1,775 mm	1,670 mm
H	Height	2,670 mm	2,670 mm	2,670 mm
I	Height ROPS folded down	1,870 mm	1,870 mm	1,850 mm
J	Height cabin	2,610 mm	2,610 mm	2,610 mm
K	Dump height max.	260 mm	1,020 mm	480 mm
L	Skip height tipped	2,220 mm	3,125 mm	2,180 mm
M	Skip height not tipped	1,475 mm	1,475 mm	1,400 mm
N	Dumping distance lateral		245 mm	180 mm
O	Ground clearance	280 mm	280 mm	230 mm
--	Dump angle	51 °	46 °	

Please note: that product availability can vary from country to country. It is possible that information / products may not be available in your country. More detailed information on engine power can be found in the operator's manual; the stated power may vary due to specific operating conditions. Subject to alterations and errors excepted. Applicable also to illustrations.  
Copyright © 2019 Wacker Neuson SE.