

# 2001

## Wheel Dumpers



**WACKER  
NEUSON**  
*all it takes!*



### Swivel tipping skip as standard

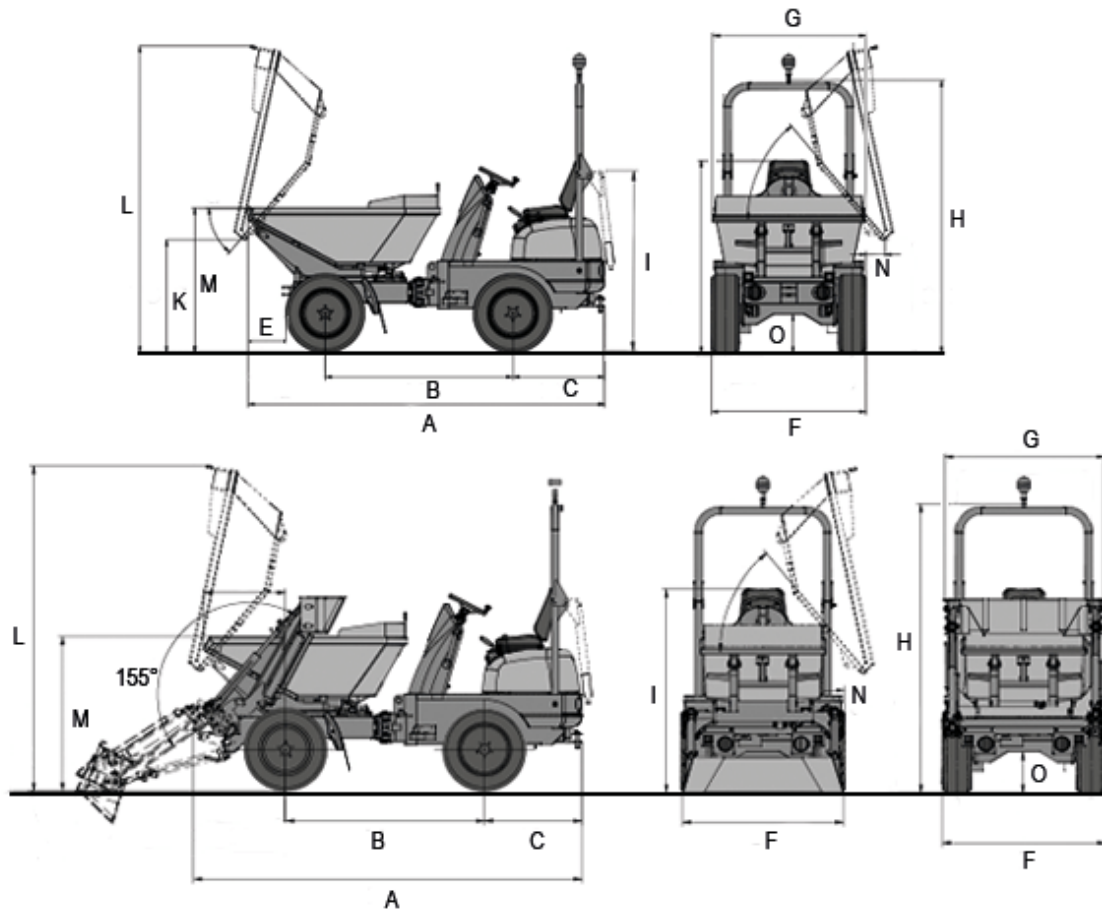
With its 2,000 kg payload, optional a self-loading system and an optional skip with a dumping height of only 2.65 m the four-wheel dumper 2001 is top-of-the range, in every respect. It simply moves better.

- Standard swivel tipping skip, self-loading system (optional); skip with lower dumping height - 2,550 mm (optional); maximum payload 2,000 kg.
- Hydrostatic twin-lock four-wheel drive.
- Continuously variable speed up to 21 km/h max.
- Large service and maintenance access.
- Clearly laid out instrument panel and wide, robust leg protection.

## 2001 Technical specifications

	Swivel tip skip	SLE	Low skip
<b>Operating data</b>			
Payload kg	2,000	2,000	2,000
Net weight kg			1,810
Shipping weight kg	1,815	2,210	
Skip capacity level I	930	775	785
Skip capacity heaped I	1,210	1,050	1,000
<b>Engine / Motor</b>			
Engine / Motor manufacturer	Yanmar	Yanmar	Yanmar
Engine / Motor type	3TNV82A	3TNV82A	3TNV82A
Engine / Motor	Diesel	Diesel	Diesel
Engine performance acc. to ISO 3046/1 kW	22.5	22.5	22.5
Displacement cm <sup>3</sup>	1,331	1,331	1,331
Engine RPM rpm	3000	3000	3000
Travel speed km/h	21	21	21
Articulation angle °	37	37	37
Pendulum angle °	15	15	15
Turning radius mm	3,500	3,500	3,500
Gradeability %	45	45	45
L x W x H mm	3420 x 1485 x 2650	3530 x 1485 x 2650	3420 x 1485 x 2650

## 2001 Dimensions



		Swivel tip skip	Self-loading equipment	Low skip
A	Overall length	3,420 mm	3,530 mm	3,420 mm
B	Wheelbase	1,800 mm	1,800 mm	1,800 mm
C	Rear overhang	880 mm	880 mm	880 mm
E	Dumping distance	350 mm		
F	Width		1,470 mm	
G	Skip width	1,470 mm	1,140 mm	1,470 mm
H	Height ROPS	2,650 mm	2,650 mm	2,650 mm
I	Height ROPS gekippt	1,850 mm	1,850 mm	1,850 mm
K	Dump height max.	1,090 mm	1,090 mm	
L	Skip height	1,400 mm	1,400 mm	1,400 mm
M	Skip height	3,000 mm	3,000 mm	2,550 mm
N	Dumping distance	180 mm	180 mm	180 mm
O	Ground clearance	380 mm	380 mm	380 mm
--	Dump angle	50 °	50 °	50 °

Please note: that product availability can vary from country to country. It is possible that information / products may not be available in your country. More detailed information on engine power can be found in the operator's manual; the stated power may vary due to specific operating conditions. Subject to alterations and errors excepted. Applicable also to illustrations. Copyright © 2019 Wacker Neuson SE.