

KEL-JUMBO flex

Cable Entry Grommets



Product Description

The KEL-JUMBO flex is a flexible cable entry grommet for standard cables with a diameter range from 27 - 68 mm.

They are ideal for the routing supply cables into the electronic enclosures.

Cutting of KEL-JUMBO flex grommets:

- Cable diameter less 25%
- The corresponding diameters are marked on the grommet

It is recommended to additionally strain relieve routed supply lines.

Advantages

- Assembly within seconds
- Grommets allow dynamic and flexible movement of rigid cables
- Small assembly area (88 × 88 mm)

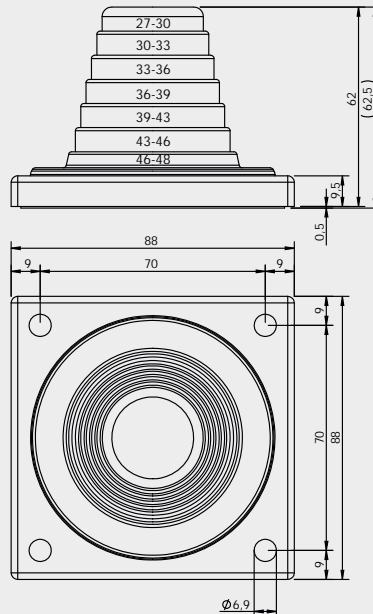
Specifications

| | |
|--------------------|---|
| Material | Frame: Polyamide (PA) Pyramid: Elastomer |
| Flame class | UL94-Vo, self-extinguishing |
| Protection class | IP54 |
| Temperature | - 40°C to + 90°C (static) |
| Properties | Halogen free, silicone free |
| Cut-out dimensions | Round, \varnothing -cable +20% |

Accessories

| | |
|------------------|-----------|
| MP Module plates | 146 |
| BP Blind plates | 154 - 155 |

| Description | Type | Order No. | Clamping range | PU |
|-------------|------|-----------|----------------|----|
|-------------|------|-----------|----------------|----|

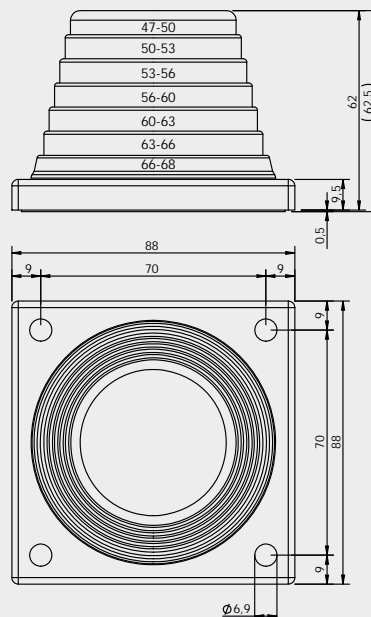


KEL-JUMBO
flex 27-48

42614

27 - 48 mm

1



KEL-JUMBO
flex 47-68

42616

47 - 68 mm

1