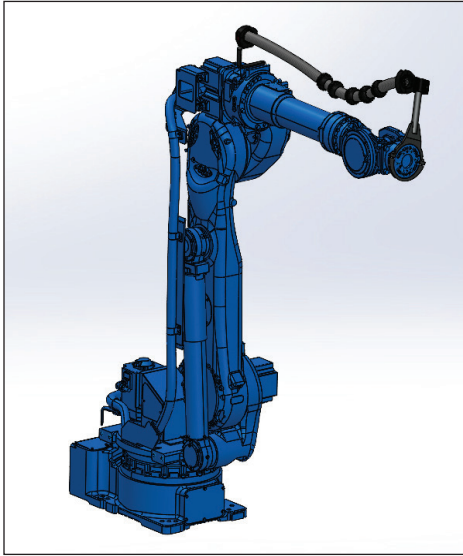
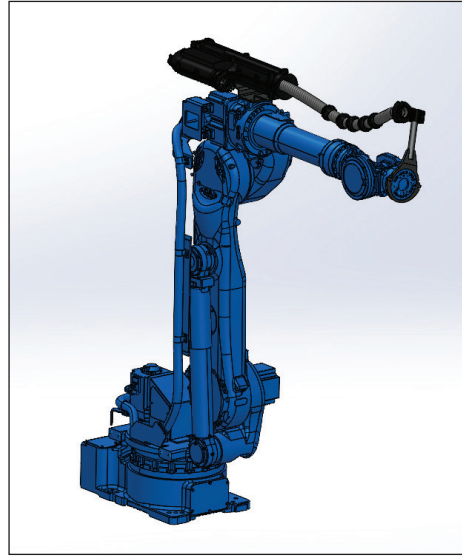


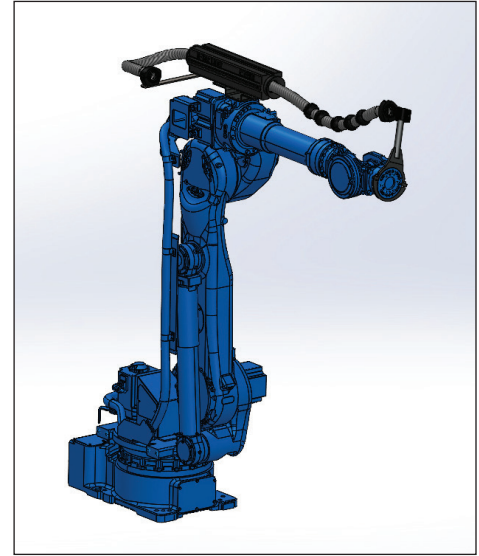
Yaskawa Motoman GP180



20.48.021.01 Complete robotic dresspack, Axis 3-6, without retraction system, high-flex conduit with ID 36.7mm



20.48.321.01 Complete robotic dresspack, Axis 3-6, TecBox retraction system, 400mm stroke, high-flex conduit with ID 36.7mm





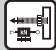





20.48.421.01 Complete robotic dresspack, Axis 3-6, TecLiner retraction system, 400mm stroke, high-flex conduit with ID 36.7mm

Product Information

Our robotic dresspacks offer effective cable protection for the most demanding robotic applications. Specifically designed for cable routing on Yaskawa Motoman GP180 robots, our dresspacks include mounting brackets, our high-flex EWX-PAE robotic conduit, effective strain relief and optionally, a retraction system for highly dynamic applications.

Conduit Specifications

-  Mod. Polyamide PA 12
-  According to IEC EN 61386
Crush Resistance: > 1200 N
-  According to IEC EN 61386
Cycles: > 5000000 ~
-  According to IEC EN 61386
Tier: 4
-  According to IEC EN 61386
System tear-out strength > 100 N
-  -40 - 120°F
Short Periods 150°F
-  acc. to UL94 HB
-  RoHS

Part Number	Axes	Robot Model	Conduit	Retraction System
20.48.021.01	A3-A6	Motoman GP180	EWX-PAE M32/P29	no retraction system
20.48.321.01	A3-A6	Motoman GP180	EWX-PAE M32/P29	TecBox, Size 48, 400mm
20.48.421.01	A3-A6	Motoman GP180	EWX-PAE M40/P36	TecLiner, Size 48, 400mm

**Custom non-populated or fully populated dresspacks for any type of industrial robot along all axes can also be requested.*