

EZ-VFD® Variable Frequency Drive

The name says it all – Easy! The new EZ VFD® From Dart Controls was designed with ease of use in mind. [See more at www.ez-vfd.com](http://www.ez-vfd.com)



The EZ VFD® eliminates complicated and expensive commissioning, while offering necessary adjustments and optional Modbus serial interface to support even sophisticated IIoT / networked drive solutions – all with the rugged durability you expect from Dart Controls products.

Specifications

- Universal Voltage Supply (110-250VAC) 50-70Hz
- Open Chassis and NEMA 4X Enclosed
- Volts/Hz Control
- 8 kHz Switching Freq
- 5-120Hz Output
- Vibration Resistant Single Board Design
- PFC (Power Factor Correction) Saves \$\$
- Power and Error LED
- Multi-Level Current Limit (MCL)™
- Over-Temp/Current Limit Auto Shutdown
- Easy Installation and Setup
- Trimpot Adjustments For:
 - MIN Speed
 - MAX Speed
 - Current Limit
 - Acceleration
 - Deceleration
 - Boost (Startup)
 - Brake (DC Inject)
- Removable Trimpot Board – Set Up Identical Drives / Prevent Tampering
- Optional Run Relay Output
- Optional Modbus RTU Serial Interface



Dart Controls, Inc.
5000 W. 106th Street
Zionsville, IN 46077
www.dartcontrols.com

317-873-5211
317-873-1105 FAX
sales@dartcontrols.com





EZ VFD® Specifications

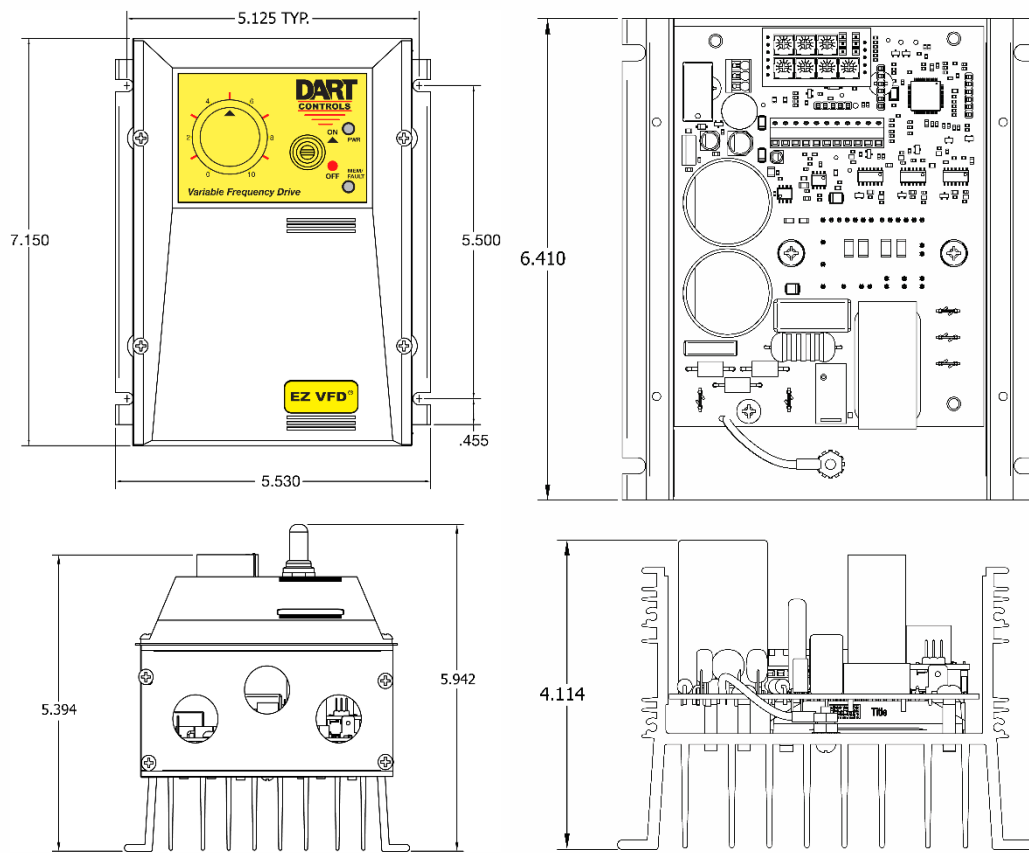


Model	Description / Option	Supply	Output	HP
VF-100C-R	Open Chassis EZ VFD®	110-240VAC	230VAC 3Ø	1/2HP @ 120VAC 1HP @ 230VAC
VF-100E-R	NEMA 4X Enclosed EZ VFD®	110-240VAC	230VAC 3Ø	1/2HP @ 120VAC 1HP @ 230VAC
Options				
-MBRTU	ModbusRTU Serial Interface		Field Installed	
-TP	Removable Trimpot Board		Factory Installed Only	
-29	Cover mounted reversing switch		Factory Installed Only	

There are many other VFD products on the market – why this one? Simple – our customers asked for it. They are tired of paying for features they don't need or want. Many VFD applications do not need hundreds of configuration parameters and/or plc functionality.

www.ez-vfd.com

Dimensional Drawings



The Name You Know – The Quality You Expect

(317) 873-5211

www.DartControls.com

EZ VFD® Sales Flyer 12-18-2020

Your Local Representative