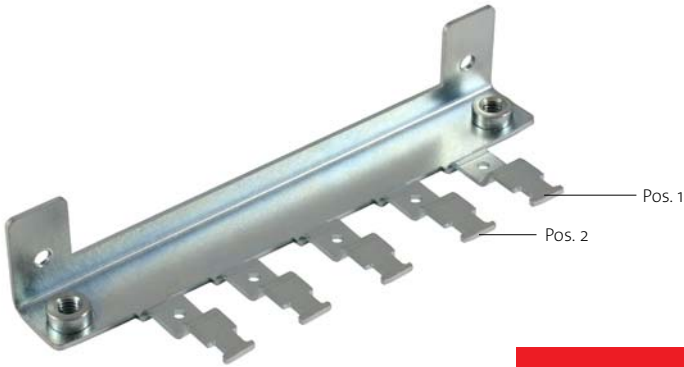


KEL-EMC-Z

Cable Assembly with Strain Relief



Product Description

Cable entry, EMC shielding and strain relief – all in one location!

Cables pass through the KEL cable entry and insert directly to the EMC clamps and strain relief.

Simply insert the cable shield into the shield clamp and secure the cable jacket to the strain relief. Two separate functions acc. to regulations – carried out quickly and easily!

Custom configurations are available for shield clamps up to 16 mm in diameter with minimal order quantities and lead time.

Advantages

- Large surface contact between cable shield and panel/enclosure, especially with conductive coating on treated surfaces
- Sealing by outer cable jacket – EMC shielding by cable shield (in acc. with regulations)
- Combined routing and fastening with the KEL cable entry system
- Available without SKL shield clamps if only additional strain relief is required
- Connection for grounding tape or PE conductor M6

Specifications

Material **Carbon steel, zinc plated**

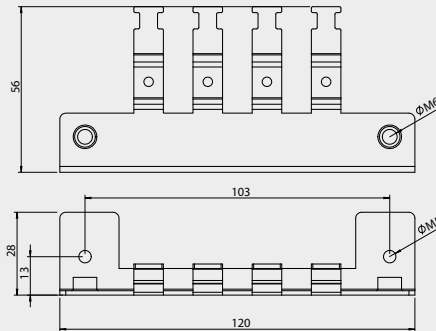
Fits with

KEL-U Cable entry frames	6 - 14
KEL-ER Cable entry frames	7 - 15
KEL Cable entry frames	16 - 19
KEL-QUICK Cable entry frames	50 - 51

Type	Order No.	No. of teeth	Fastening	Fits with	PU
------	-----------	--------------	-----------	-----------	----

KEL-EMC-Z 16 4	36525	4	long side	KEL-E4 KEL 16 x KEL-U 16 x KEL-ER 16 x KEL-QUICK 16	1
KEL-EMC-Z 24 5	36527	5	long side	KEL-E5 KEL 24 x KEL-U 24 x KEL-ER 24 x KEL-QUICK 24	1

KEL-EMC-Z 16|4



KEL-EMC-Z 24|5

