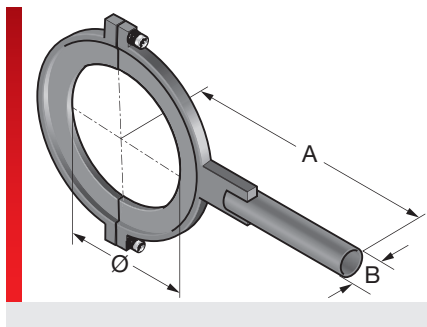


## Tension clamp (axis 6)



with FKE 32 and SH 56/70-M

Robot connection

### PRODUCT INFORMATION

The R-SSR tension clamp serves to provide a fixing point on axis 6. Additional fastening elements can be affixed to the tension clamp as required.

### SPECIFICATIONS

Powder coated Sheet steel

Article	Order No.	Color	Ø mm	A mm	B mm	PU pcs.
Kuka KR6, KR 10 retaining plate, axis 6	83692753	Black	39.50	83.00		1
R-SSR D 50 tension clamp with angled sheet	83952697	Black	50.00	89.50		1
R-SSR D63 tension clamp <sup>1)</sup>	83693206	Black	63.00	70.00		1
R-SSR D63 tension clamp UR3 <sup>1)</sup>	83693201	Black	63.00	54.00		1
R-SSR D 63 tension clamp with angled sheet <sup>2)</sup>	83952699	Black	63.00	99.30		1
R-SSR D75 tension clamp UR5 <sup>1)</sup>	83693202	Black	75.00	60.00		1
R-SSR D90 tension clamp UR10 <sup>1)</sup>	83693203	Black	90.00	68.00		1
R-SSR 95-1 15° clamp	83952669	Black	95.00	289.00	32.00	1
R-SSR 100-1 tension clamp with pipe 15°	83952626	Black	100.00	289.00	32.00	1
R-SSR 116-2 tension clamp with pipe, straight	83692712	Black	116.00	301.00	32.00	1
R-SSR 125-1 tension clamp with pipe 15°	82952696	Black	125.00	361.60	32.00	1
R-SSR 125-2 tension clamp with pipe, straight	82390044	Black	125.00	352.50	32.00	1
R-SSR 140-2 tension clamp with pipe, straight	82390067	Black	140.00	355.00	32.00	1
R-SSR 160-1 tension clamp with pipe 15°	83952628	Black	160.00	374.40	32.00	1
R-SSR 160-2 tension clamp with pipe, straight	83952629	Black	160.00	370.00	32.00	1
R-SSR 172-1 tension clamp with pipe 15°	83952634	Black	172.00	384.00	32.00	1
R-SSR 180-1 tension clamp with pipe 15°	82390032	Black	180.00	384.00	32.00	1
R-SSR 190-1 tension clamp with pipe 15°	83952638	Black	190.00	384.00	32.00	1
R-SSR 200-1 tension clamp with pipe 15°	83952642	Black	200.00	388.20	32.00	1
R-SSR 220-1 tension clamp with pipe 15°	83952640	Black	220.00	392.30	32.00	1
R-SSR 234-1 15° clamp	83693207	Black	234.00	232.61	32.00	1
R-SSR 250-1 tension clamp with pipe 15°	83952646	Black	250.00	412.30	32.00	1
R-SSR 315-1 tension clamp with pipe 15°	83692711	Black	315.00	493.70	32.00	1

<sup>1)</sup>Suitable for system holder SH M25/M32

<sup>2)</sup>Suitable for system holder SH M40/M50

## Tension clamp (axis 6)

### MATERIAL PROPERTIES



#### Material

Powder coated Sheet steel

### CONFORMITY



**RoHS (EC Directive 2011/65/EU)**

### APPROVALS AND OPERATING PERMITS



**ROBI approval**

### GENERAL INFORMATION



**Made in Germany**

All details given in our sales brochures and catalogues, as well as the information available online, are based on our current knowledge of the products described.

The electronic data and files made available by Murrplastik, particularly CAD files are based on our current knowledge of the product described.

A legally binding assurance of certain properties or the suitability for a certain purpose can not be determined from this information.

All information with respect to the chemical and physical properties of Murrplastik products, as well as application advice given verbally, in writing or by tests, is given to the best of our knowledge.

They do not release the buyer from the obligation to carry out his own tests and trials in order to determine the concrete suitability of the products for the intended purpose.

Murrplastik accepts no responsibility for the available information being up-to-date, correct or complete. Neither do we accept responsibility for the quality of this information.

Murrplastik accepts no liability for damage caused as a result of using our products.

Murrplastik reserves the right to make technical changes and improvements through constant further development of products and services.

Our General Terms and Conditions apply.

© Murrplastik Systemtechnik GmbH • proID\_96626~20220721~890283~aur\_ssr