

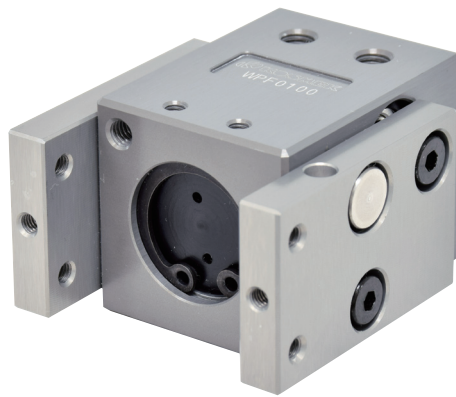
New

Robotic Hands

Compact Body with High Gripping Force



Model **WPE**
Wide Angular Gripper



Model **WPF**
Parallel Gripper



Model **WPJ**
Angular Gripper

Pneumatic Robotic Hand

Wide Angular Gripper

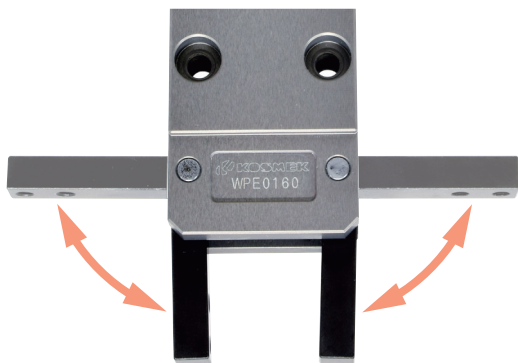
Model WPE



180° Angular Gripper to Prevent Interference
Compact Body with High-Gripping Force
Ability to Install Auto Switches for Gripper Detection

- 180° Angular Gripper

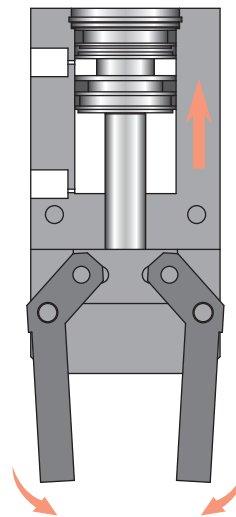
180° opening/closing gripper enables to prevent a collision and interference with a workpiece.



Opens/Closes in 180°

- Smooth Operation

The gripper and the cylinder unit are combined with a direct cam structure without any link, allowing for smooth operation.



- High Durability

The direct cam structure enables high durability.

- Light Weight

Reduced size and weight allows for best use of the robotic payload.

- Long Operational Life

Solid internal features provide for excellent durability.

- Auto Switch Capability

Easy to install and adjust auto switches for gripper detection.

Model No. Indication

WPE 020 0 - A1 S

1 2 3 4

※ Only 1 2 are marked on the product. Please indicate the specifications of 3 4 when ordering if you need switches.

1 Cylinder Inner Diameter

016 : ϕ 16 mm
020 : ϕ 20 mm
030 : ϕ 30 mm
040 : ϕ 40 mm
050 : ϕ 50 mm
080 : ϕ 80 mm

2 Design No.

0 : Revision Number

3 Auto Switch Type

Blank : Without Auto Switch
A1 / A2 : 2-Wire Reed Auto Switch (Cable : 1m)
A1L / A2L : 2-Wire Reed Auto Switch (Cable : 3m)
A2V : L-Shaped 2-Wire Reed Auto Switch (Cable : 1m)
A2VL : L-Shaped 2-Wire Reed Auto Switch (Cable : 3m)
B1 / B2 : 3-Wire Solid State Auto Switch (Cable : 1m)
B1L / B2L : 3-Wire Solid State Auto Switch (Cable : 3m)
B3 : L-Shaped 3-Wire Solid State Auto Switch (Cable : 1m)
B3L : L-Shaped 3-Wire Solid State Auto Switch (Cable : 3m)

● Application Table

Model No.	A1□	A2□	B1□	B2□	B3□
WPE0160		●		●	●
WPE0200	●		●		
WPE0300	●		●		
WPE0400	●		●		
WPE0500	●		●		
WPE0800	●		●		

※ Please refer to P.37 ~ P.44 for details of auto switches.
 ※ When using an auto switch not made by Kosmek, check specifications of each manufacturer.

4 Number of Auto Switches[※]

Blank : 2

S : 1

※ Only when requiring 3 Auto Switch.

Hand
Auto Switch

Cautions
and Others

Robotic Hand
Wide Angular Gripper

WPE

Robotic Hand
Parallel Gripper
WPF

Robotic Hand
Angular Gripper
WPJ

Auto Switch
Proximity Switch
JEP

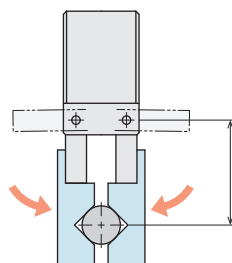
Specifications

Model No.	WPE0160	WPE0200	WPE0300	WPE0400	WPE0500	WPE0800		
Cylinder Inner Diameter	mm	16	20	30	40	50	80	
Gripping Force ^{※1} (Air Pressure : At 0.5MPa)	Closing Side	N	20.6	33.3	82.4	147	252	814
Opening Angle	°	-5 ~ 180						
Repeatability ^{※2}	mm	±0.1						
Angle Error (One Side)	°	Opened State : -2 ~ +5 / Closed State : -5 ~ +2						
Allowable Gripper Length L (at 0.5MPa) ^{※3}	mm	50	80	95	120	140	170	
Maximum Cycle / min.		60						
Cylinder Capacity (Clamping w/o Workpiece)	Closing Side	cm ³	2.0	4.2	13.1	27.4	54.4	226.8
	Opening Side	cm ³	2.3	5.0	15.6	32.7	64.8	251.3
Maximum Operating Pressure	MPa	0.7						
Minimum Operating Pressure	MPa	0.3						
Withstanding Pressure	MPa	1.05						
Operating Temperature Range	°C	5 ~ 60						
Usable Fluid		Dry Air						
Weight	kg	0.15	0.30	0.65	1.16	2.10	4.50	

Notes : ※1. Gripping force indicates the calculated value based on the gripper length (L).

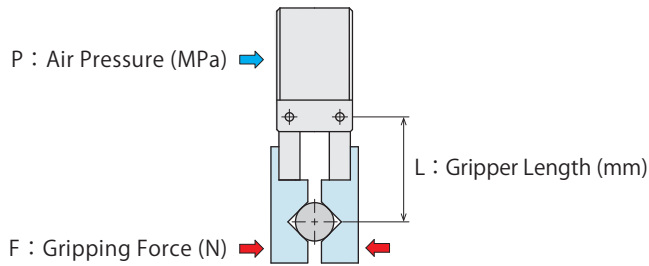
※2. Repeatability under the same condition (no load).

※3. L : Allowable Gripper Length (mm) (Air Pressure : at 0.5MPa)



L : Allowable Gripper Length (mm)

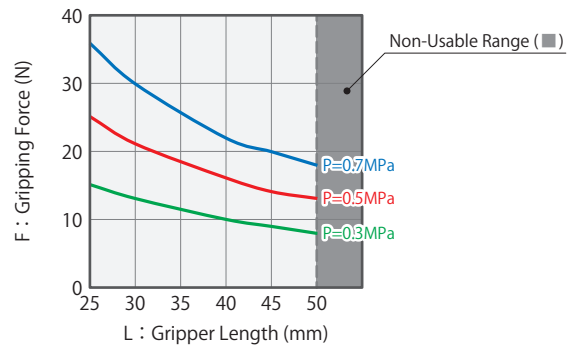
Gripping Force Performance Curve



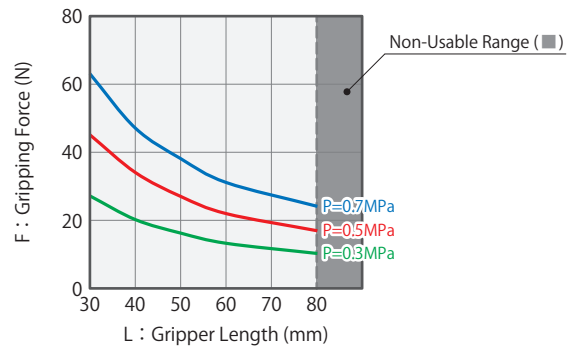
Notes:

1. This chart and graph show the relationship among: F:Gripping Force (N), P:Air Pressure (MPa) and L:Gripper Length (mm).
2. Operation in the non-usable range may cause deformation, seizure or air leakage.

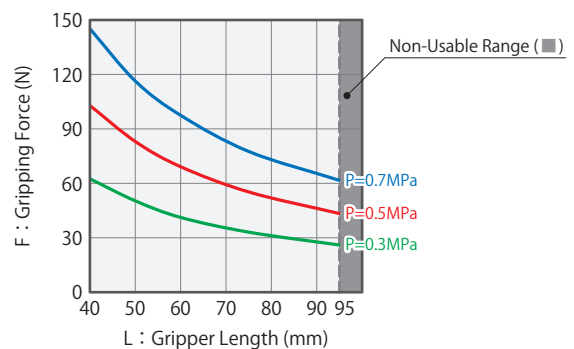
WPE0160 (N)					
Air Pressure (MPa)	Gripper Length L (mm)				
	25	30	40	45	50
0.7	36	30	22	20	18
0.5	25	21	16	14	13
0.3	15	13	10	9	8



WPE0200 (N)					
Air Pressure (MPa)	Gripper Length L (mm)				
	30	40	50	60	80
0.7	63	47	38	31	24
0.5	45	34	27	22	17
0.3	27	20	16	13	10



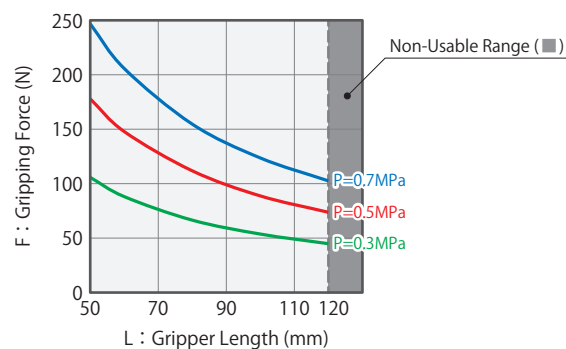
WPE0300 (N)					
Air Pressure (MPa)	Gripper Length L (mm)				
	40	50	60	75	95
0.7	145	116	97	77	61
0.5	103	83	69	55	43
0.3	62	50	41	33	26



WPE0400

(N)

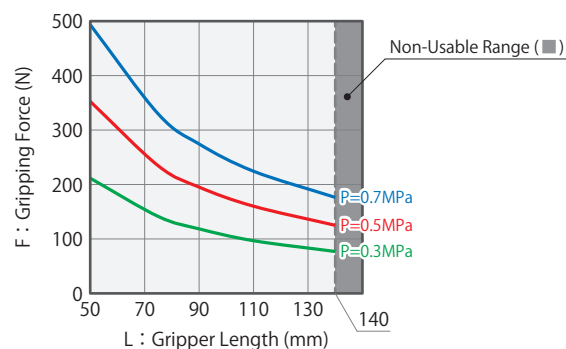
Air Pressure (MPa)	Gripper Length L (mm)				
	50	60	80	100	120
0.7	247	206	155	124	103
0.5	177	147	110	88	73
0.3	106	88	66	53	44



WPE0500

(N)

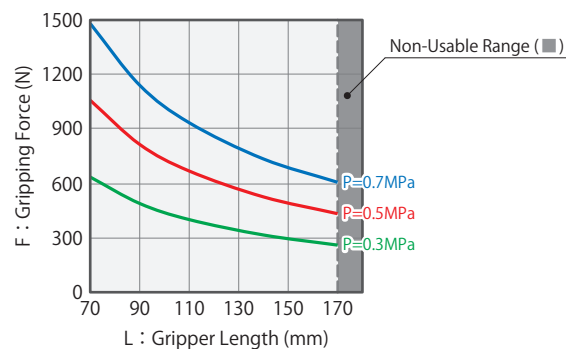
Air Pressure (MPa)	Gripper Length L (mm)				
	50	75	90	110	140
0.7	494	330	275	225	177
0.5	353	235	196	160	126
0.3	212	141	118	96	76



WPE0800

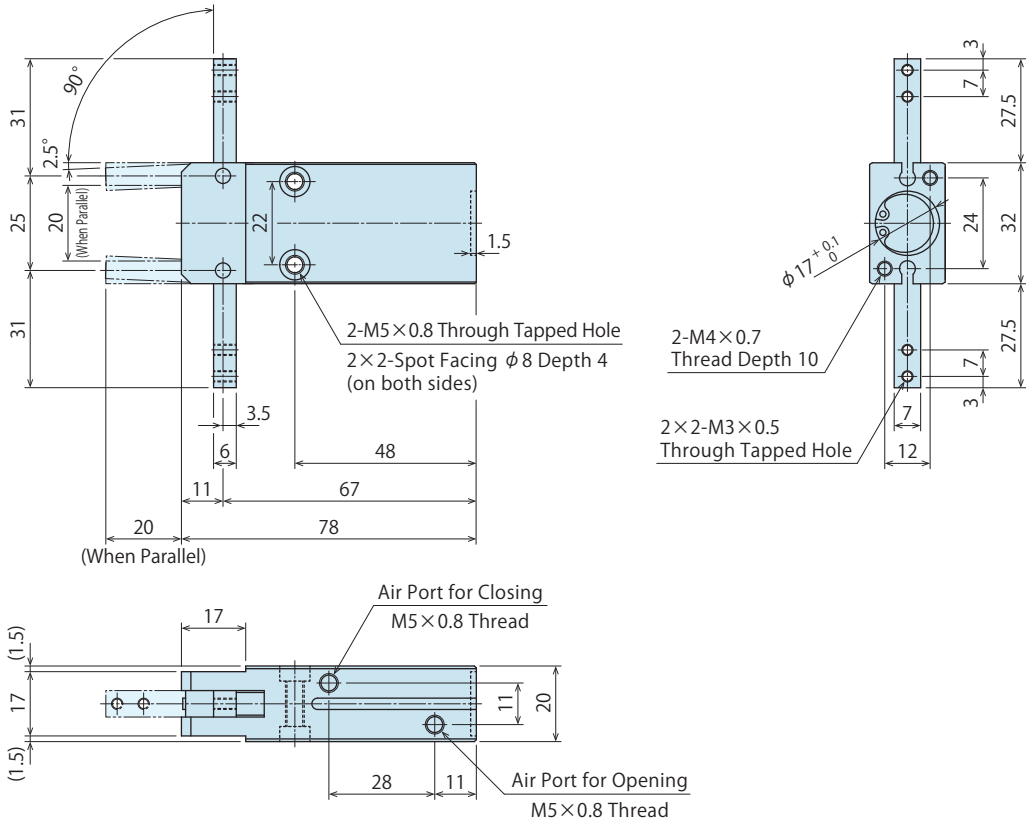
(N)

Air Pressure (MPa)	Gripper Length L (mm)				
	70	90	110	140	170
0.7	1480	1139	932	732	603
0.5	1057	813	666	523	430
0.3	634	488	399	314	258



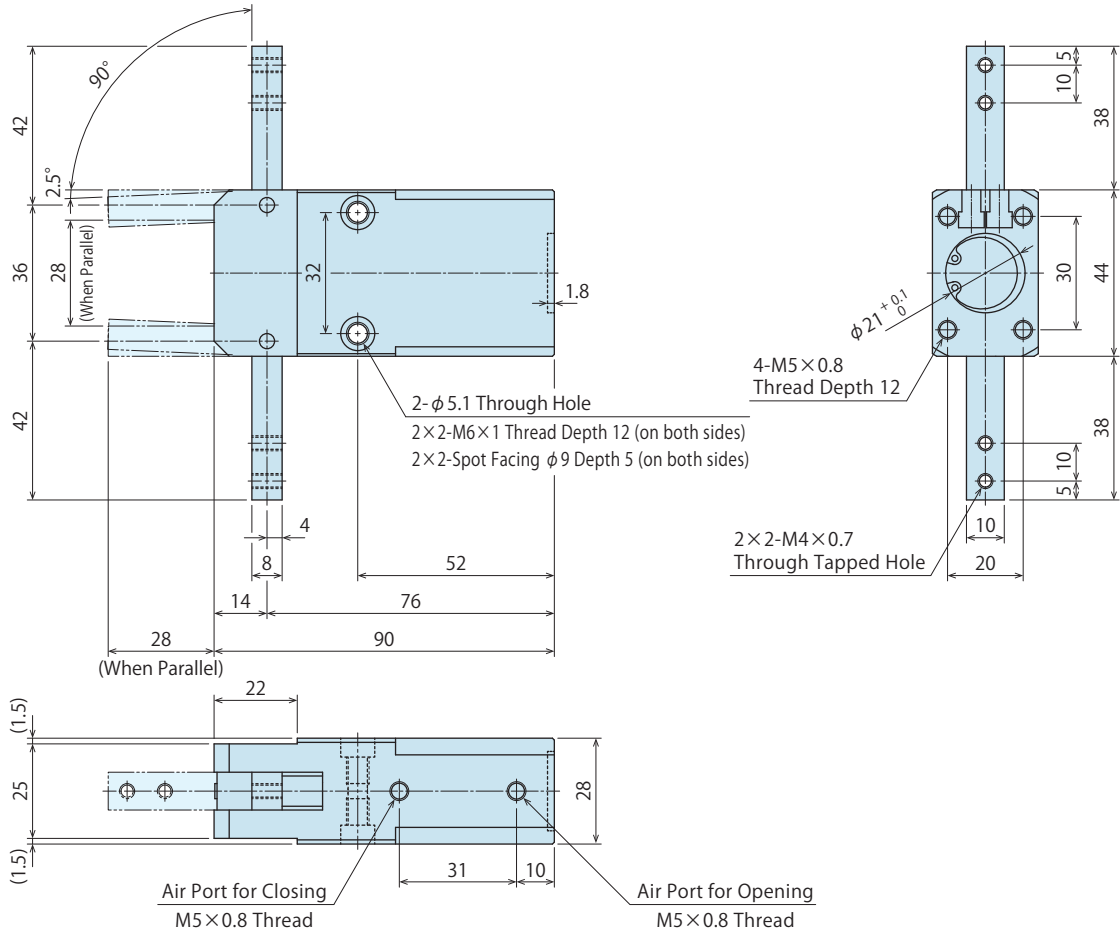
External Dimensions : WPE0160

※ The drawing shows the opened state of WPE0160.



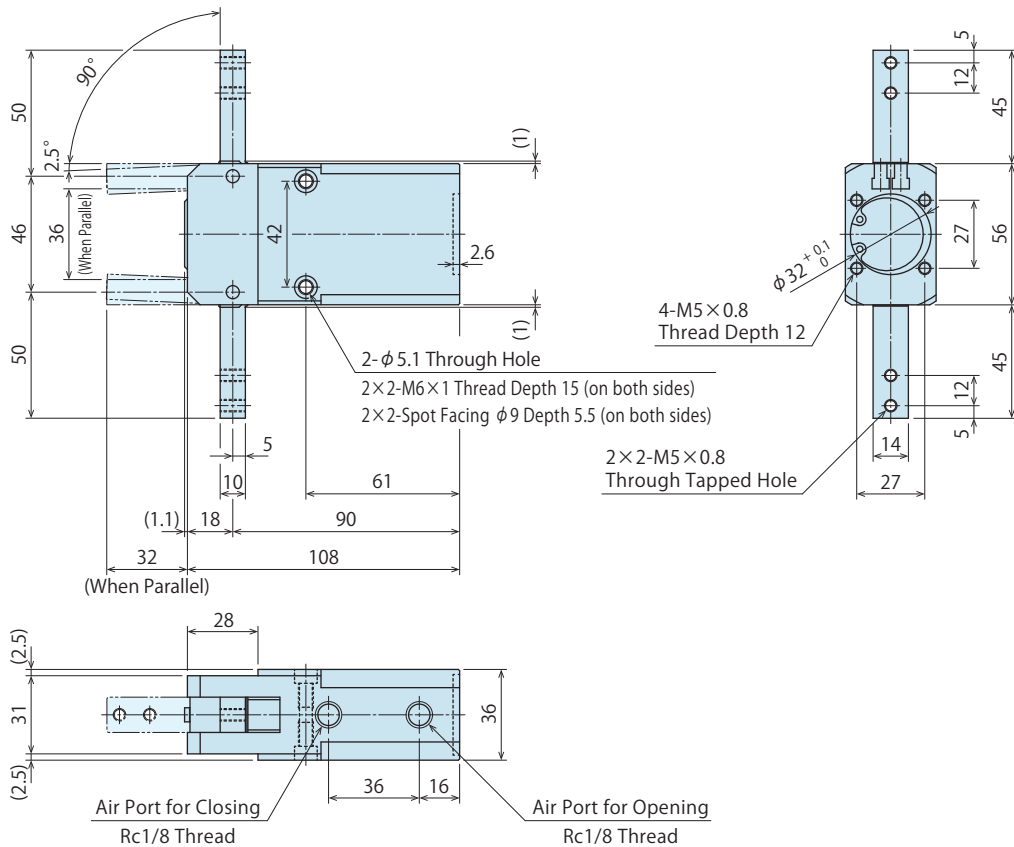
External Dimensions : WPE0200

※ The drawing shows the opened state of WPE0200.



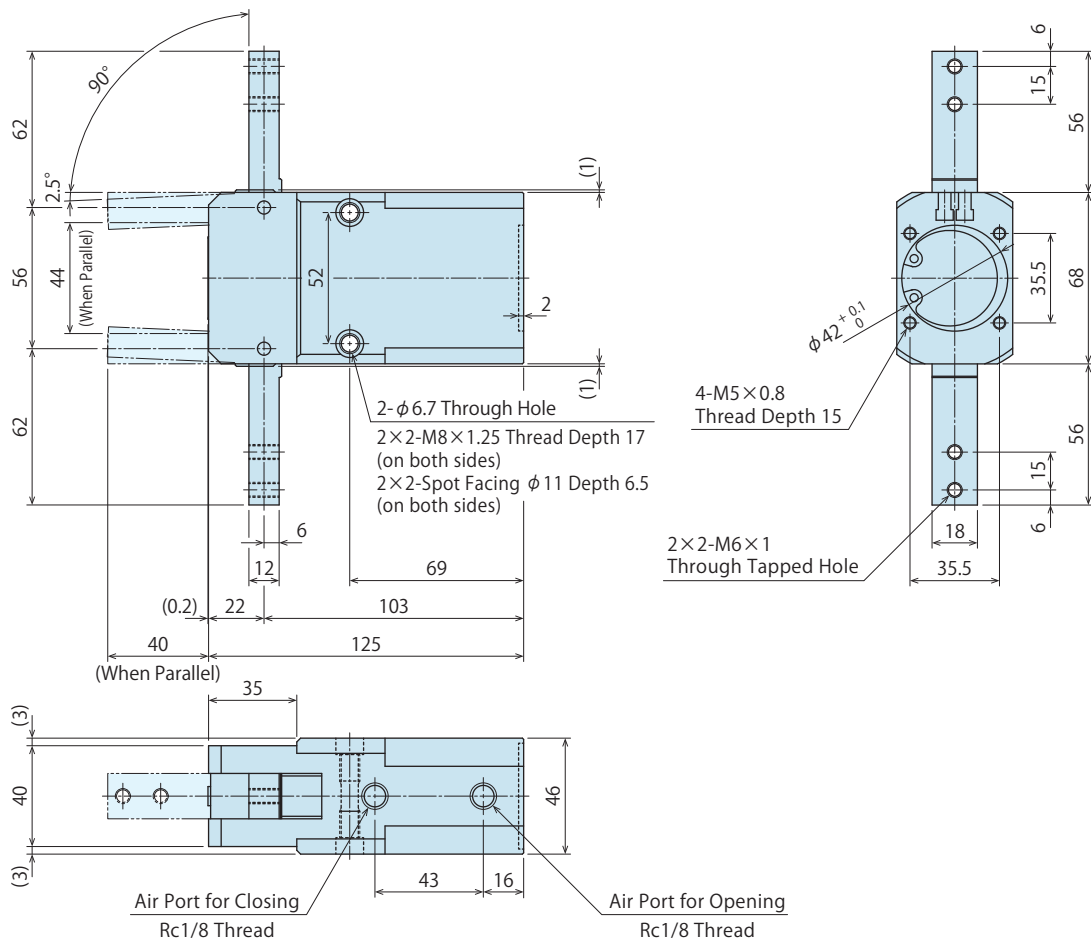
External Dimensions : WPE0300

※ The drawing shows the opened state of WPE0300.



External Dimensions : WPE0400

※ The drawing shows the opened state of WPE0400.



Hand
Auto Switch

Cautions
and Others

Robotic Hand
Wide Angular Gripper

WPE

Robotic Hand
Parallel Gripper

WPF

Robotic Hand
Angular Gripper

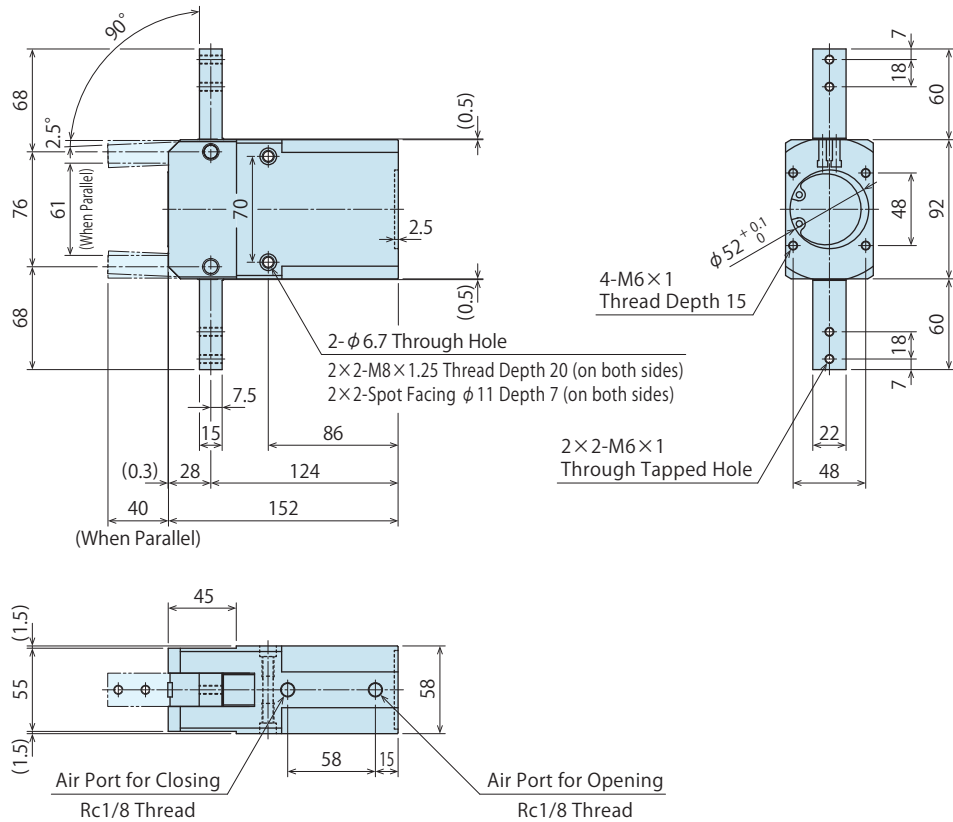
WPJ

Auto Switch
Proximity Switch

JEP

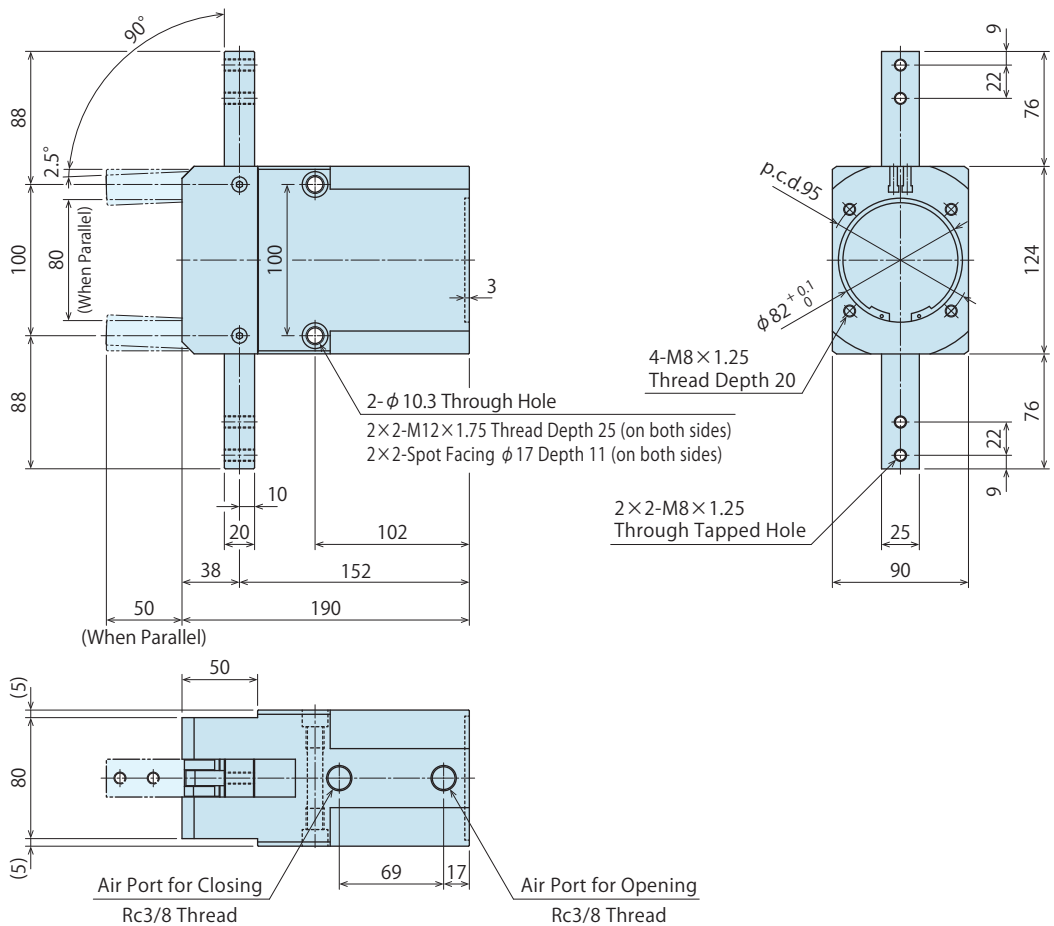
External Dimensions : WPE0500

※ The drawing shows the opened state of WPE0500.



External Dimensions : WPE0800

※ The drawing shows the opened state of WPE0800.



 **MEMO**

**Hand
Auto Switch**

**Cautions
and Others**

**Robotic Hand
Wide Angular Gripper**

WPE

Robotic Hand
Parallel Gripper

WPF

Robotic Hand
Angular Gripper

WPJ

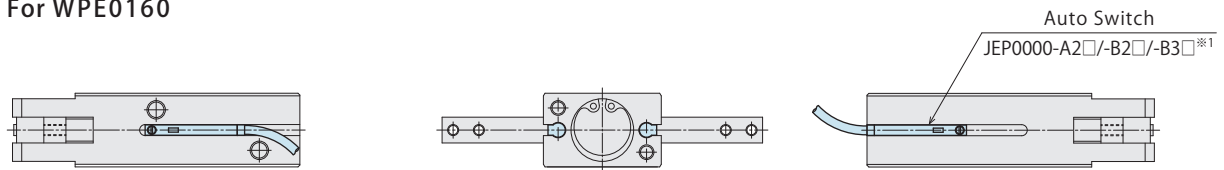
Auto Switch
Proximity Switch

JEP

● External Dimensions : Auto Switch

※ This drawing shows the installation image of Auto Switch JEP0000-A1□ / A2□ and JEP0000-B1□ / B2□.
 Installation image of L-Shaped Auto Switch -A2V□ and -B3□ is different from this.
 Adjust installation position depending on the stroke position. Please refer to P.37 ~ P.44 for details of JEP Auto Switch.
 An auto switch may be stuck out of the robotic hand depending on the installation position and direction.

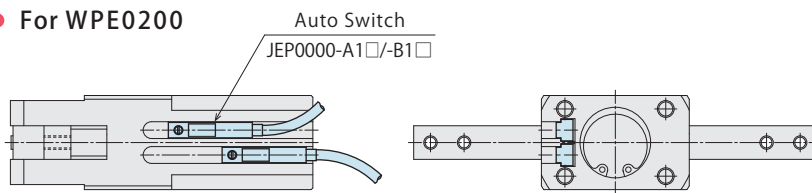
● For WPE0160



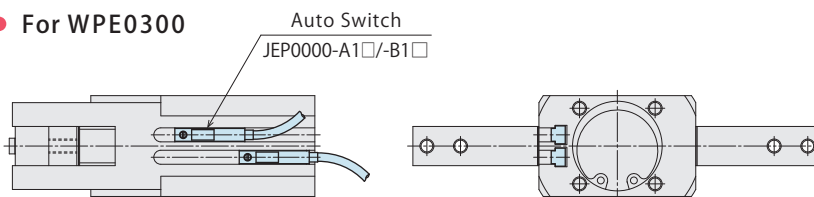
Note :

※1. The image of JEP0000-B3□ is different from this.

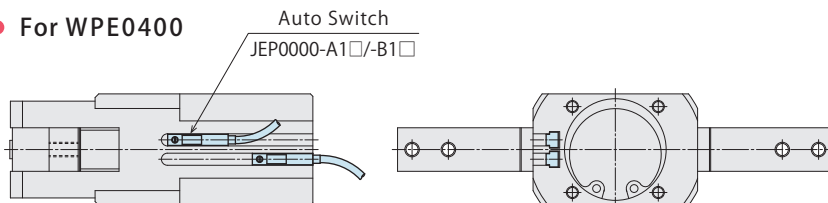
● For WPE0200



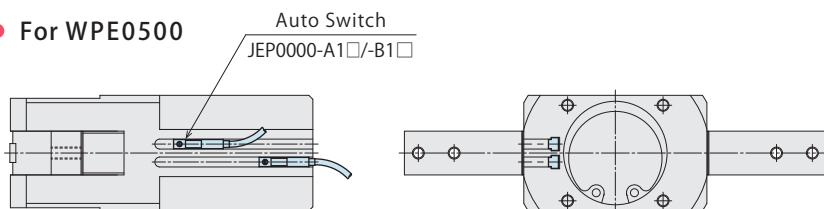
● For WPE0300



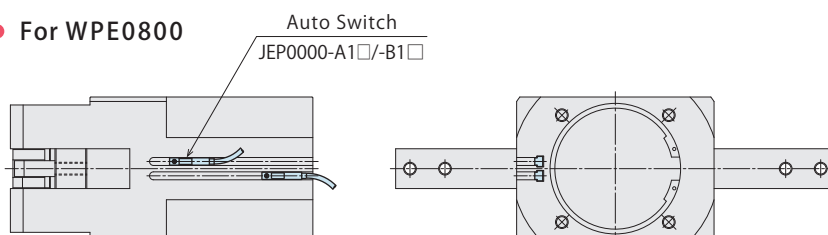
● For WPE0400



● For WPE0500

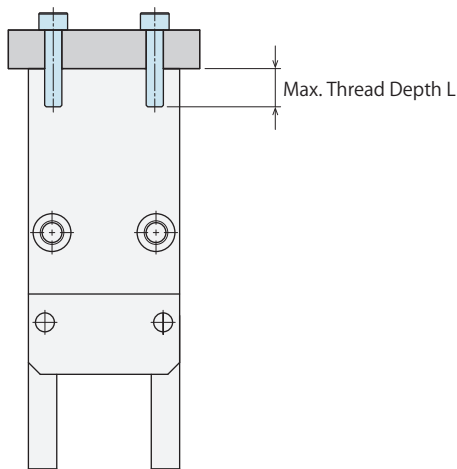


● For WPE0800

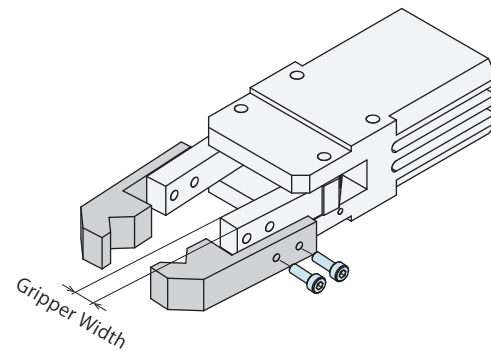


● Installation Method

- Tightening Torque for Cylinder Body :
Axial Direction Installation



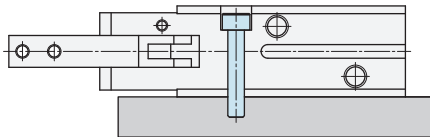
- Tightening Torque for Gripper



Model No.	Mounting Bolt Thread Size	Tightening Torque (N·m)	Max. Thread Depth L (mm)
WPE0160	M4×0.7	2.5	10
WPE0200	M5×0.8	5.0	12
WPE0300	M5×0.8	5.0	12
WPE0400	M5×0.8	5.0	15
WPE0500	M6×1	7.9	15
WPE0800	M8×1.25	15.4	20

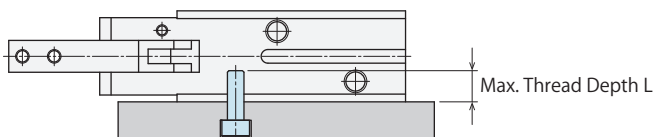
Model No.	Mounting Bolt Thread Size	Tightening Torque (N·m)	Gripper Width (mm)
WPE0160	M3×0.5	1.1	6
WPE0200	M4×0.7	2.5	8
WPE0300	M5×0.8	5.0	10
WPE0400	M6×1	7.9	12
WPE0500	M6×1	7.9	15
WPE0800	M8×1.25	15.4	20

- Tightening Torque for Cylinder Body : Side Direction Installation (Using Spot Facing)



Model No.	Mounting Bolt Thread Size	Tightening Torque (N·m)
WPE0160	M4×0.7	2.5
WPE0200	M5×0.8	5.0
WPE0300	M5×0.8	5.0
WPE0400	M6×1	7.9
WPE0500	M6×1	7.9
WPE0800	M10×1.5	24

- Tightening Torque for Cylinder Body : Side Direction Installation (Using Tapped Hole)



Model No.	Mounting Bolt Thread Size	Tightening Torque (N·m)	Max. Thread Depth L (mm)
WPE0160	M5×0.8	5.0	10
WPE0200	M6×1	7.9	12
WPE0300	M6×1	7.9	14
WPE0400	M8×1.25	15.4	20
WPE0500	M8×1.25	15.4	23
WPE0800	M12×1.75	65.7	35

Hand
Auto Switch

Cautions
and Others

Robotic Hand
Wide Angular Gripper

WPE

Robotic Hand
Parallel Gripper

WPF

Robotic Hand
Angular Gripper

WPJ

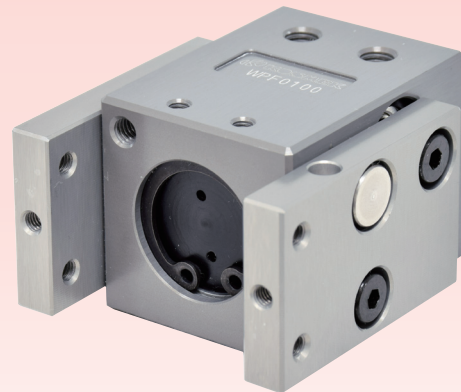
Auto Switch
Proximity Switch

JEP

Pneumatic Robotic Hand

Parallel Gripper

Model WPF



Compact Body with High-Gripping Force Ability to Install Auto Switches for Gripper Detection

- **Wide Stroke**

Wide opening/closing stroke allows the hand to grip various sizes of workpieces.



- **Compact Body**

Allows for both compact body and wide stroke.



- **High Gripping Force**

Exerts about 1.7 times gripping force compared to a general air cylinder.

- **Light Weight**

Reduced size and weight allows for best use of the robotic payload.

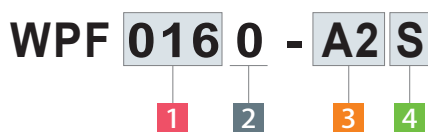
- **Long Operational Life**

Solid internal features provide for excellent durability.

- **Auto Switch Capability**

Easy to install and adjust auto switches for gripper detection.
※ Auto Switch cannot be installed to WPF0100.

Model No. Indication



※ Only 1 2 are marked on the product. Please indicate the specifications of 3 4 when ordering if you need switches.

1 Cylinder Inner Diameter

010	: $\phi 10 \text{ mm} \times 2$
012	: $\phi 12 \text{ mm} \times 2$
016	: $\phi 16 \text{ mm} \times 2$
020	: $\phi 20 \text{ mm} \times 2$
030	: $\phi 30 \text{ mm} \times 2$

2 Design No.

0 : Revision Number

3 Auto Switch Type

Blank : Without Auto Switch

A1 / A2 : 2-Wire Reed Auto Switch (Cable : 1m)

A1L / A2L : 2-Wire Reed Auto Switch (Cable : 3m)

A2V : L-Shaped 2-Wire Reed Auto Switch (Cable : 1m)

A2VL : L-Shaped 2-Wire Reed Auto Switch (Cable : 3m)

B1 / B2 : 3-Wire Solid State Auto Switch (Cable : 1m)

B1L / B2L : 3-Wire Solid State Auto Switch (Cable : 3m)

B3 : L-Shaped 3-Wire Solid State Auto Switch (Cable : 1m)

B3L : L-Shaped 3-Wire Solid State Auto Switch (Cable : 3m)

Application Table

Model No.	A1□	A2□	B1□	B2□	B3□
WPF0100	Not Applicable				
WPF0120		●		●	●
WPF0160		●		●	●
WPF0200	●		●		
WPF0300	●		●		

※ Please refer to P.37 ~ P.44 for details of auto switches.

※ When using an auto switch not made by Kosmek, check specifications of each manufacturer.

4 Number of Auto Switches[※]

Blank : 2

S : 1

※ Only when requiring 3 Auto Switch.

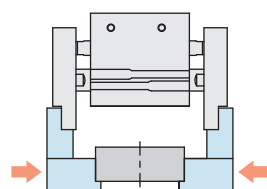
Specifications

Model No.		WPF0100	WPF0120	WPF0160	WPF0200	WPF0300
Cylinder Inner Diameter	mm	$\phi 10 \times 2$	$\phi 12 \times 2$	$\phi 16 \times 2$	$\phi 20 \times 2$	$\phi 30 \times 2$
Gripping Force ^{※1} (Air Pressure : At 0.5MPa)	Closing Side N	28.4	50.0	89.2	139	302
Full Stroke	mm	10	20	30	40	60
Repeatability ^{※2}	mm	± 0.05				
Stroke Error	mm	Opened State : $-0.5 \sim +1.5$ / Closed State : $-1.5 \sim +0.5$				
Allowable Gripper Length L (at 0.5MPa) ^{※3}	mm	45	50	75	90	110
Maximum Cycle / min.		60				
Cylinder Capacity (Clamping w/o Workpiece)	cm ³	0.8	2.3	6.0	12.6	42.4
Maximum Operating Pressure	MPa	0.7				
Minimum Operating Pressure	MPa	0.3				
Withstanding Pressure	MPa	1.05				
Operating Temperature Range	°C	5 ~ 60				
Usable Fluid		Dry Air				
Weight	kg	0.15	0.28	0.52	1.10	2.85

Notes : ※1. Gripping force indicates the calculated value based on the gripper length (L).

※2. Repeatability under the same condition (no load).

※3. L : Allowable Gripper Length (mm) (Air Pressure : at 0.5MPa)



Hand
Auto Switch

Cautions
and Others

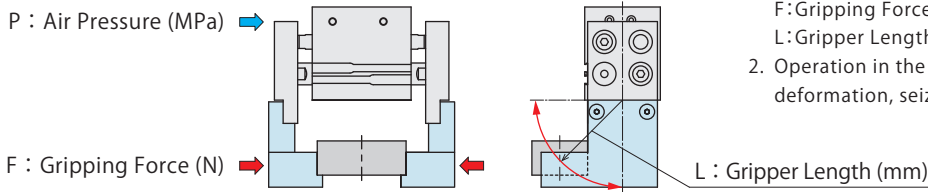
Robotic Hand
Wide Angular Gripper
WPE

Robotic Hand
Parallel Gripper
WPF

Robotic Hand
Angular Gripper
WPJ

Auto Switch
Proximity Switch
JEP

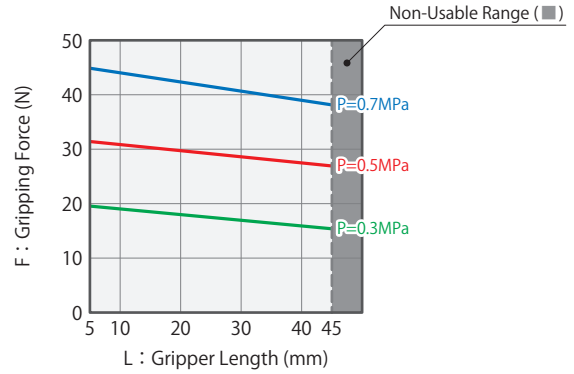
Gripping Force Performance Curve



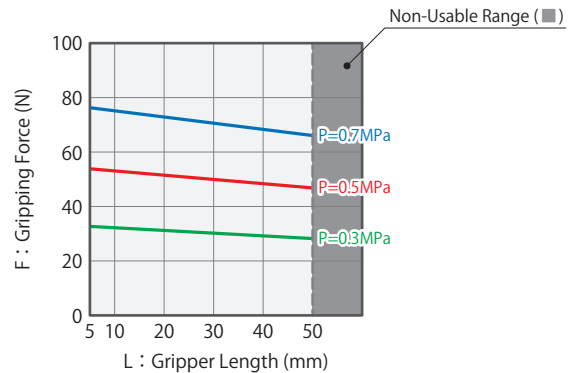
Notes:

1. This chart and graph show the relationship among: F: Gripping Force (N), P: Air Pressure (MPa) and L: Gripper Length (mm).
2. Operation in the non-usable range may cause deformation, seizure or air leakage.

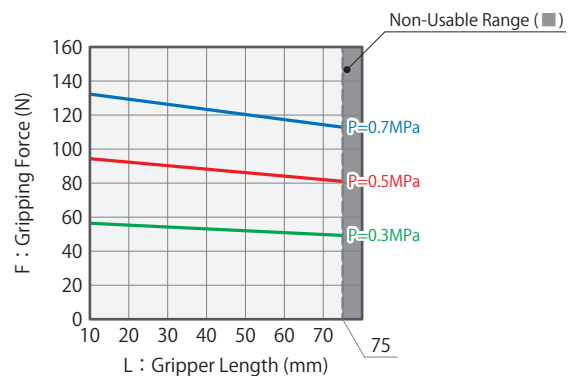
WPF0100 (N)					
Air Pressure (MPa)	Gripper Length L (mm)				
	5	20	30	40	45
0.7	45	42	40	39	38
0.5	31.5	30	29	28	27
0.3	19.5	18	17	16	16



WPF0120 (N)					
Air Pressure (MPa)	Gripper Length L (mm)				
	5	20	30	40	50
0.7	76	72	70	68	66
0.5	54	51	50	49	47
0.3	32.5	31	30	29	28



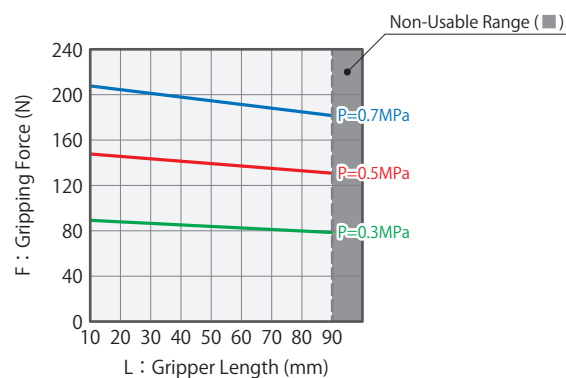
WPF0160 (N)					
Air Pressure (MPa)	Gripper Length L (mm)				
	10	25	40	55	75
0.7	132	127	123	119	113
0.5	94	91	88	85	81
0.3	56	54	53	51	49



WPF0200

(N)

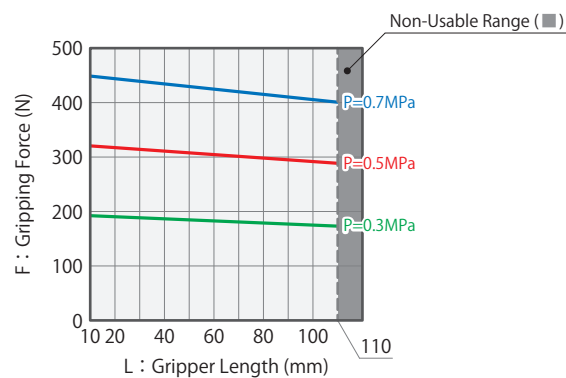
Air Pressure (MPa)	Gripper Length L (mm)				
	10	30	50	70	90
0.7	207	201	195	188	182
0.5	148	143	139	135	130
0.3	89	86	83	81	78



WPF0300

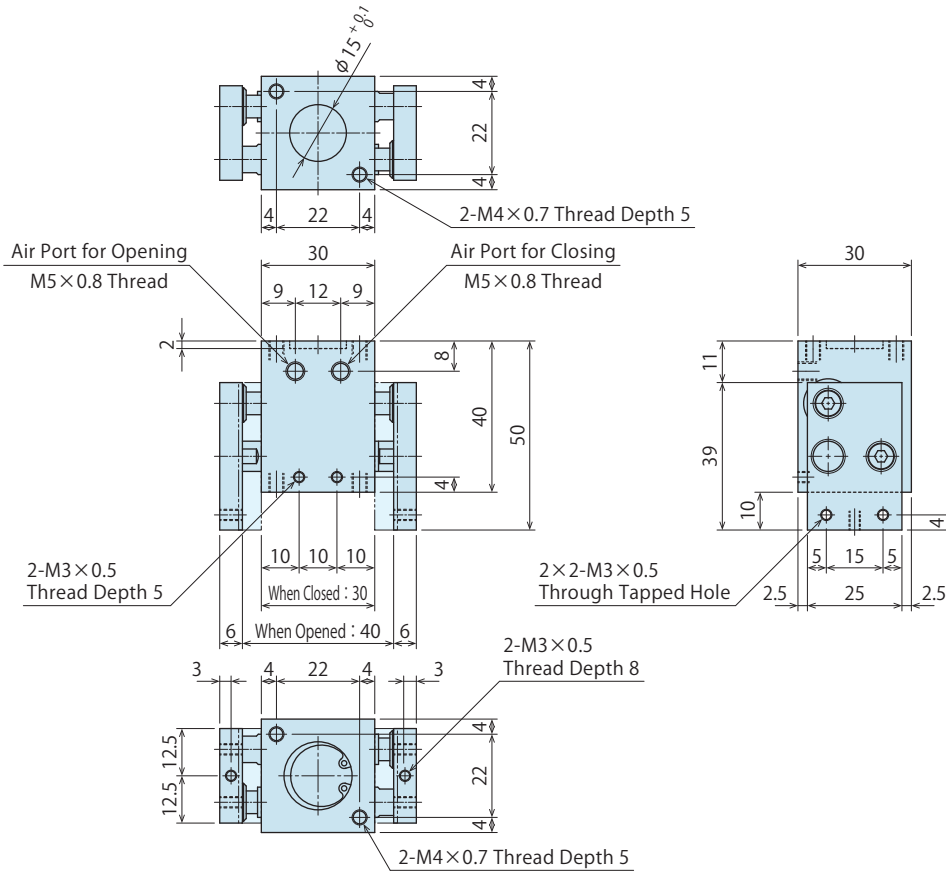
(N)

Air Pressure (MPa)	Gripper Length L (mm)				
	10	30	50	80	110
0.7	447	438	428	415	401
0.5	319	313	306	296	287
0.3	191	187	183	179	172



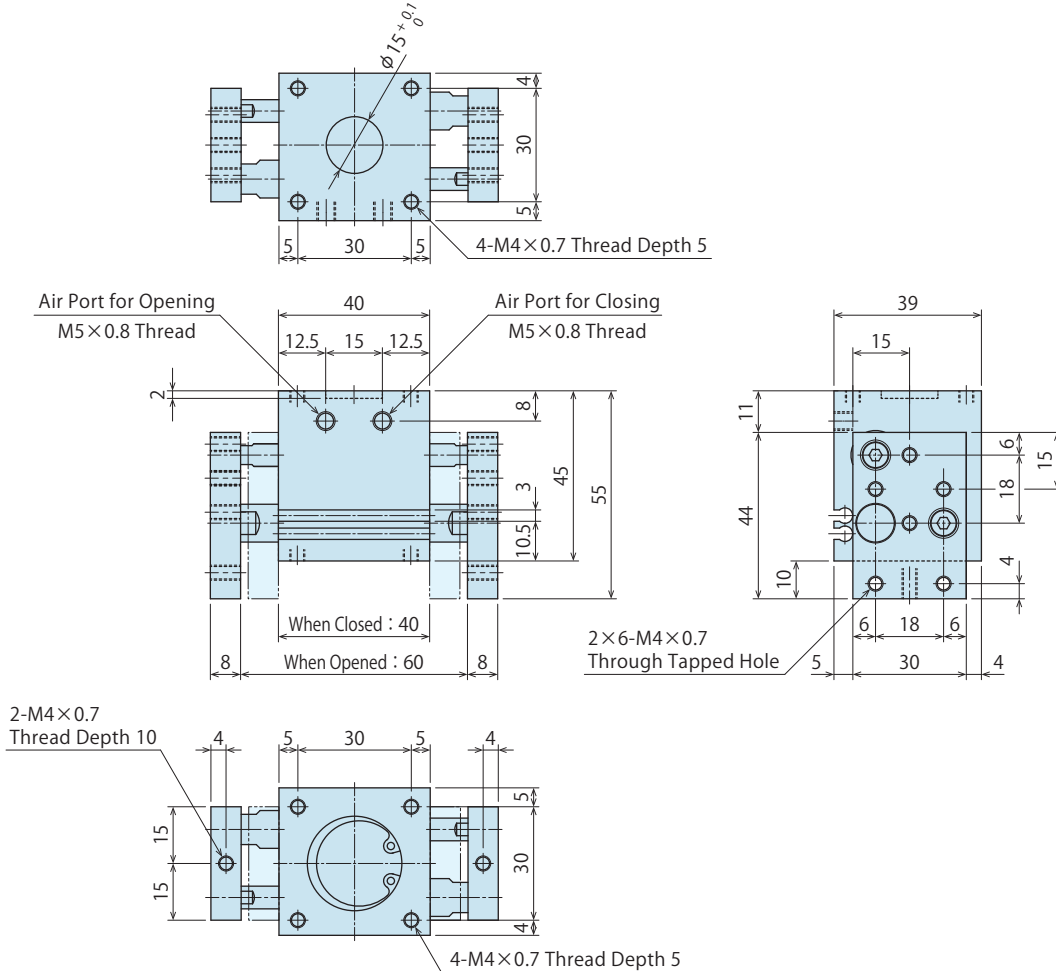
External Dimensions : WPF0100

※ The drawing shows the opened state of WPF0100.



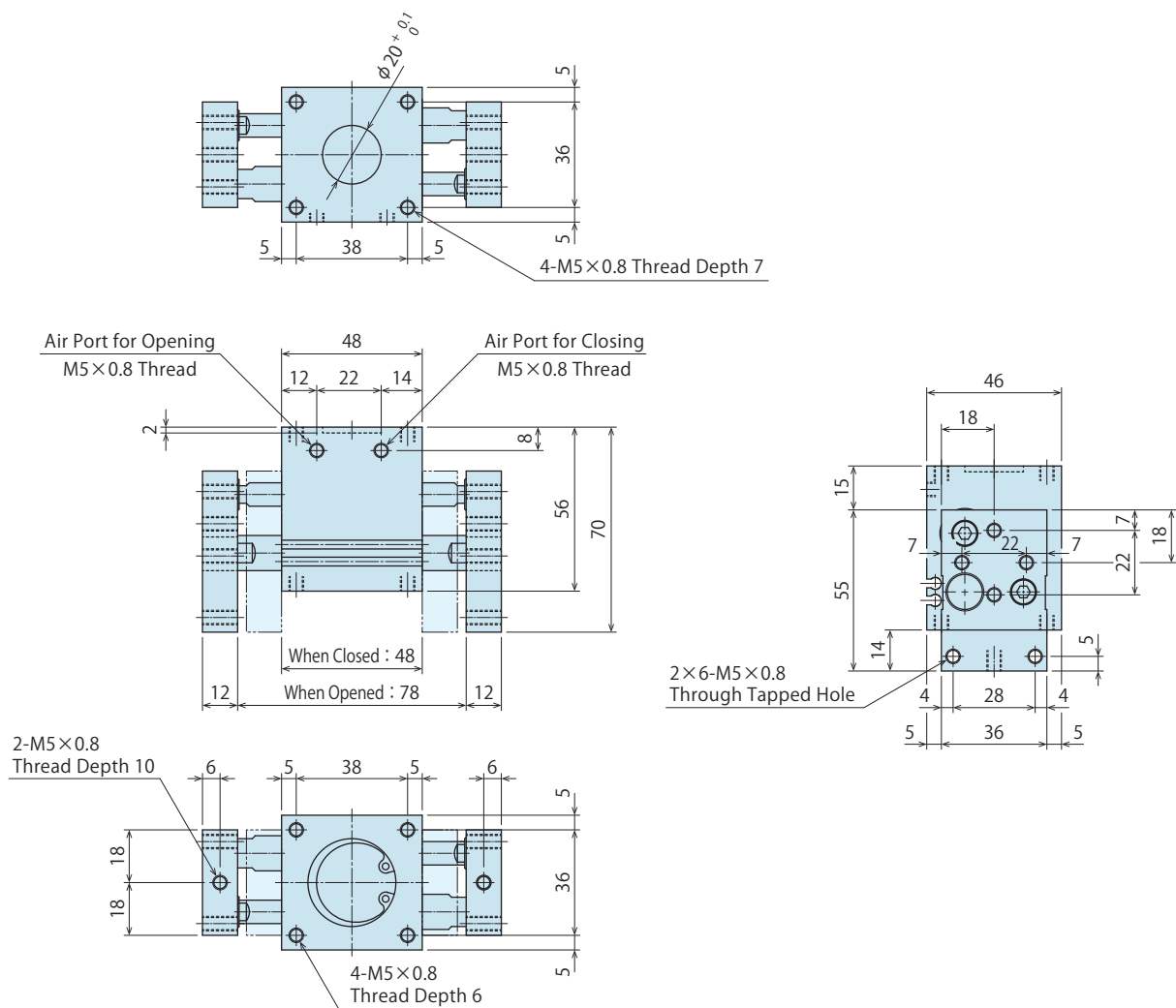
External Dimensions : WPF0120

※ The drawing shows the opened state of WPF0120.



External Dimensions : WPF0160

※ The drawing shows the opened state of WPF0160.



Hand
Auto Switch

Cautions
and Others

Robotic Hand
Wide Angular Gripper

WPE

Robotic Hand
Parallel Gripper

WPF

Robotic Hand
Angular Gripper

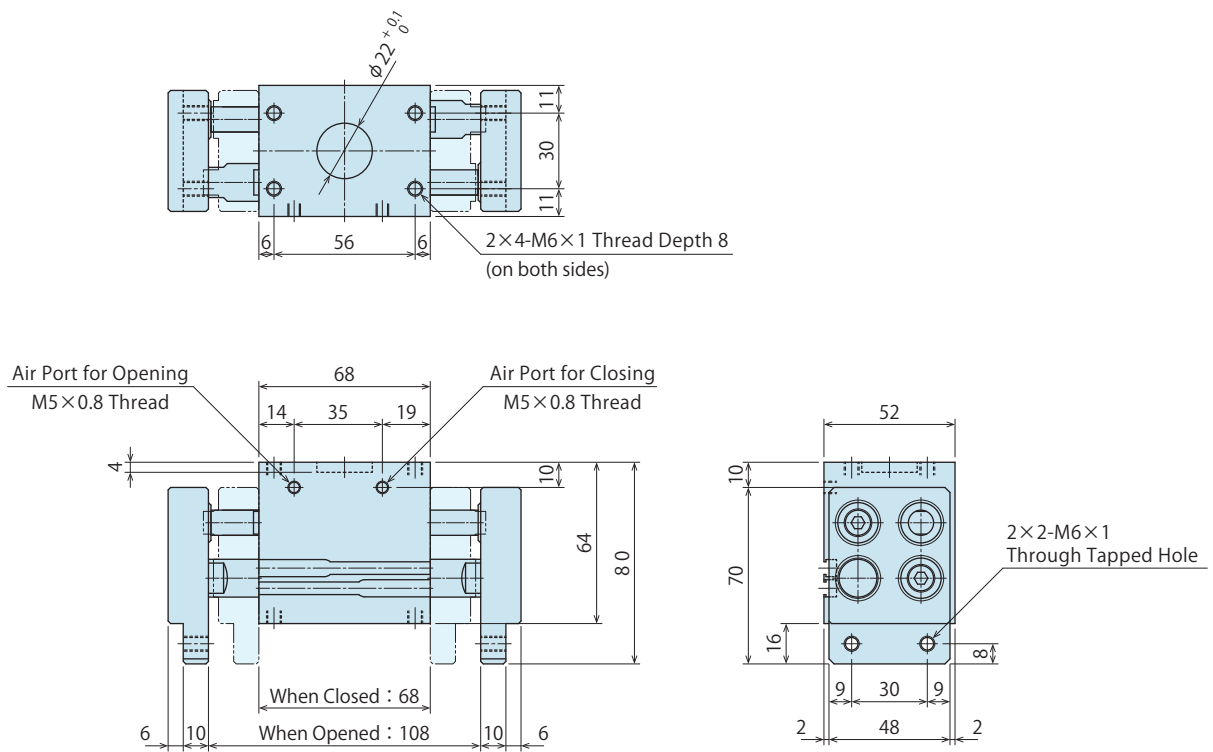
WPJ

Auto Switch
Proximity Switch

JEP

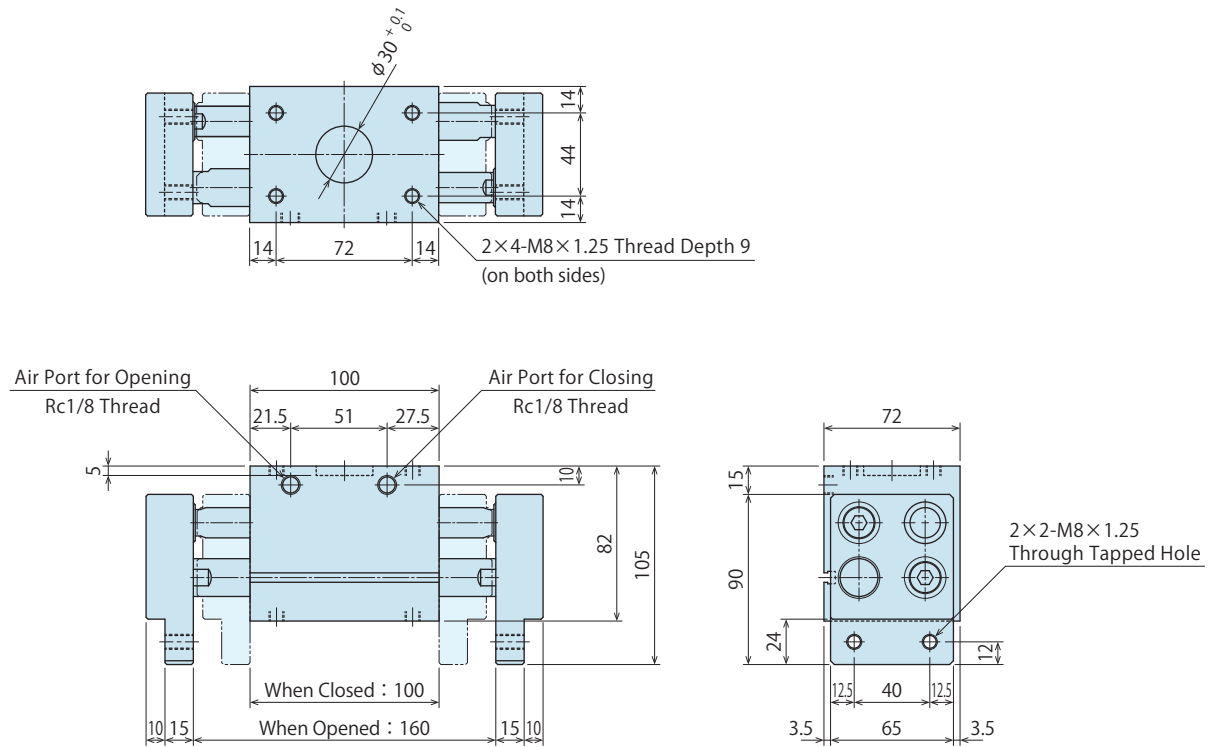
External Dimensions : WPF0200

※ The drawing shows the opened state of WPF0200.



External Dimensions : WPF0300

※ The drawing shows the opened state of WPF0300.



 **MEMO****Hand
Auto Switch****Cautions
and Others**Robotic Hand
Wide Angular Gripper

WPE

**Robotic Hand
Parallel Gripper**

WPF

Robotic Hand
Angular Gripper

WPJ

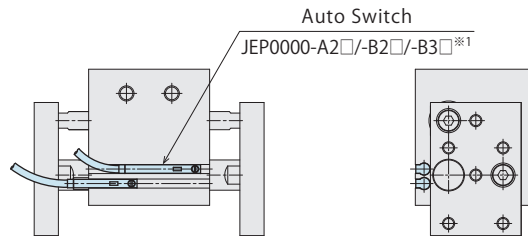
Auto Switch
Proximity Switch

JEP

● External Dimensions : Auto Switch

※ This drawing shows the installation image of Auto Switch JEP0000-A1□ / A2□ and JEP0000-B1□ / B2□.
 Installation image of L-Shaped Auto Switch -A2V□ and -B3□ is different from this.
 Adjust installation position depending on the stroke position. Please refer to P.37 ~ P.44 for details of JEP Auto Switch.
 An auto switch may be stuck out of the robotic hand depending on the installation position and direction.

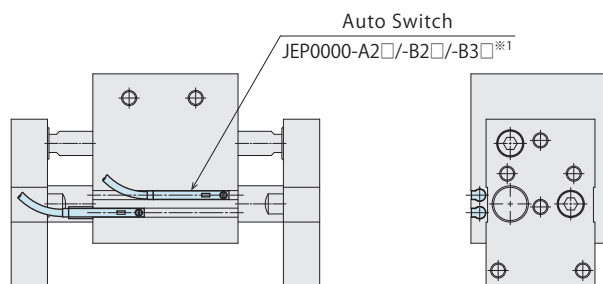
● For WPF0120



Note :

※1. The image of JEP0000-B3□ is different from this.

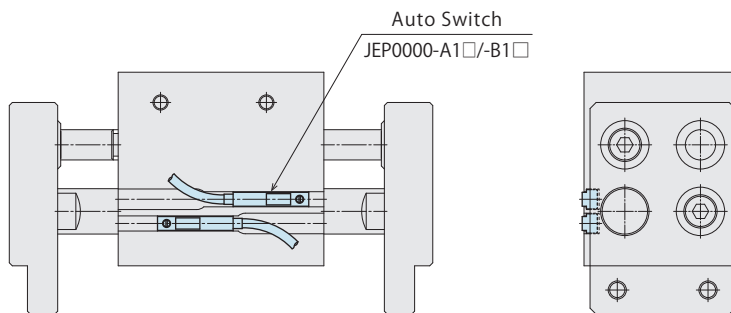
● For WPF0160



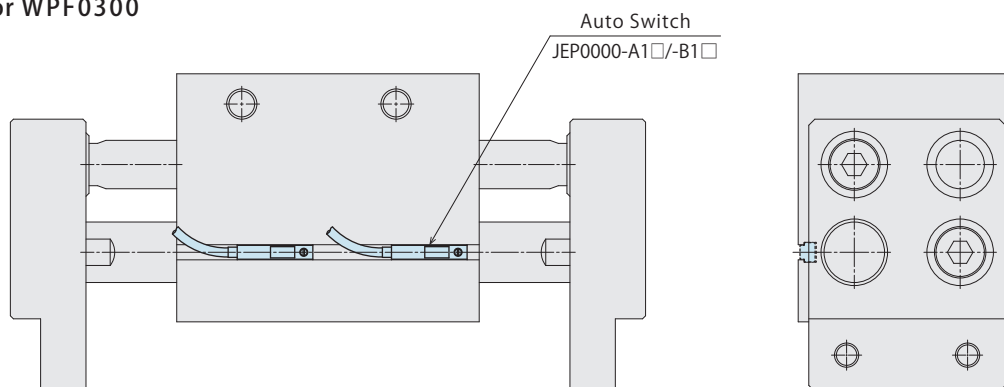
Note :

※1. The image of JEP0000-B3□ is different from this.

● For WPF0200

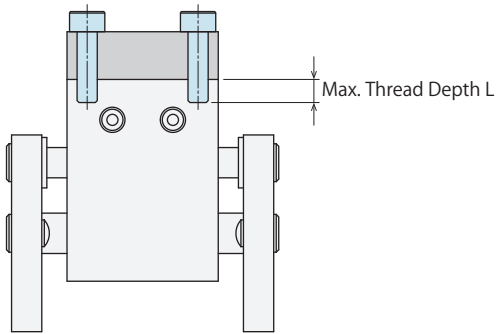


● For WPF0300



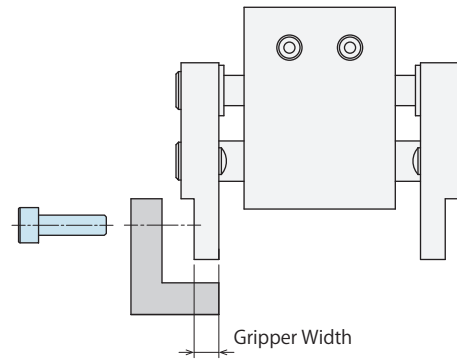
● Installation Method

- Tightening Torque for Cylinder Body :
Axial Direction Installation



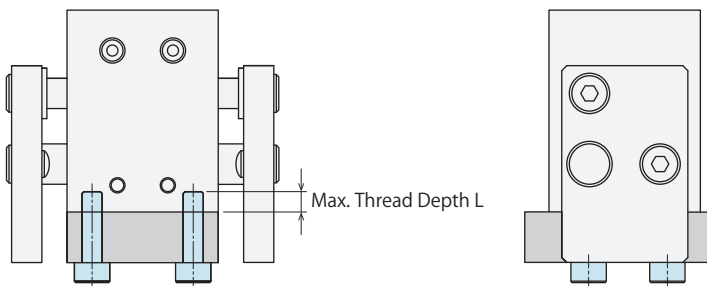
Model No.	Mounting Bolt Thread Size	Tightening Torque (N·m)	Max. Thread Depth L (mm)
WPF0100	M4×0.7	2.5	5
WPF0120	M4×0.7	2.5	5
WPF0160	M5×0.8	5.0	7
WPF0200	M6×1	7.9	8
WPF0300	M8×1.25	15.4	9

- Tightening Torque for Gripper



Model No.	Mounting Bolt Thread Size	Tightening Torque (N·m)	Gripper Width (mm)
WPF0100	M3×0.5	1.1	6
WPF0120	M4×0.7	2.5	8
WPF0160	M5×0.8	5.0	12
WPF0200	M6×1	7.9	10
WPF0300	M8×1.25	15.4	15

- Tightening Torque for Cylinder Body : Side Direction Installation (Using Spot Facing)



Model No.	Mounting Bolt Thread Size	Tightening Torque (N·m)	Max. Thread Depth L (mm)
WPF0100	M4×0.7	2.5	5
WPF0120	M4×0.7	2.5	5
WPF0160	M5×0.8	5.0	7
WPF0200	M6×1	7.9	8
WPF0300	M8×1.25	15.4	9

Hand
Auto Switch

Cautions
and Others

Robotic Hand
Wide Angular Gripper

WPE

Robotic Hand
Parallel Gripper

WPF

Robotic Hand
Angular Gripper

WPJ

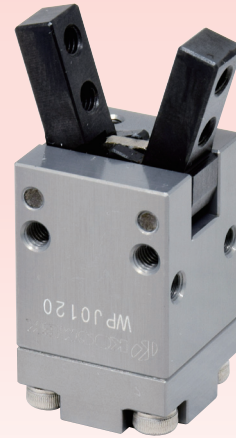
Auto Switch
Proximity Switch

JEP

Pneumatic Robotic Hand

Angular Gripper

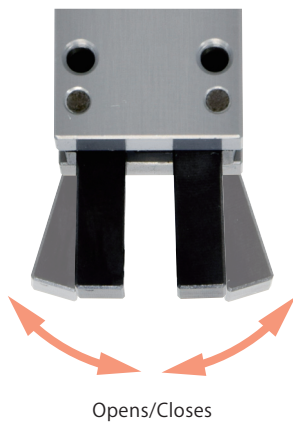
Model WPJ



Compact Body with High-Gripping Force
Ability to Install Auto Switches for Gripper Detection

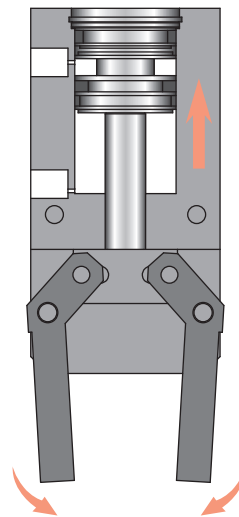
- **Wide Opening Gripper**

Wide opening/closing gripper enables to prevent a collision and interference with a workpiece.



- **Smooth Operation**

The gripper and the cylinder unit are combined with a direct cam structure without any link, allowing for smooth operation.



- **High Durability**

The direct cam structure enables high durability.

- **Light Weight**

Reduced size and weight allows for best use of the robotic payload.

- **Long Operational Life**

Solid internal features provide for excellent durability.

- **Auto Switch Capability**

Easy to install and adjust auto switches for gripper detection.
※ Auto Switch cannot be installed to WPJ0120.

Model No. Indication

WPJ 020 0 - A1 S

1 2 3 4

※ Only 1 2 are marked on the product. Please indicate the specifications of 3 4 when ordering if you need switches.

1 Cylinder Inner Diameter

012 : ϕ 12 mm (Single Acting, Normal Open Model)
016 : ϕ 16 mm
020 : ϕ 20 mm
025 : ϕ 25 mm
030 : ϕ 30 mm
040 : ϕ 40 mm

2 Design No.

0 : Revision Number

3 Auto Switch Type

Blank : Without Auto Switch
A1 / A2 : 2-Wire Reed Auto Switch (Cable : 1m)
A1L / A2L : 2-Wire Reed Auto Switch (Cable : 3m)
A2V : L-Shaped 2-Wire Reed Auto Switch (Cable : 1m)
A2VL : L-Shaped 2-Wire Reed Auto Switch (Cable : 3m)
B1 / B2 : 3-Wire Solid State Auto Switch (Cable : 1m)
B1L / B2L : 3-Wire Solid State Auto Switch (Cable : 3m)
B3 : L-Shaped 3-Wire Solid State Auto Switch (Cable : 1m)
B3L : L-Shaped 3-Wire Solid State Auto Switch (Cable : 3m)

● Application Table

Model No.	A1□	A2□	B1□	B2□	B3□
WPJ0120	Not Applicable				
WPJ0160		●		●	●
WPJ0200	●		●		
WPJ0250	●		●		
WPJ0300	●		●		
WPJ0400	●		●		

※ Please refer to P.37 ~ P.44 for details of auto switches.

※ When using an auto switch not made by Kosmek, check specifications of each manufacturer.

4 Number of Auto Switches[※]

Blank : 2

S : 1

※ Only when requiring 3 Auto Switch.

Specifications

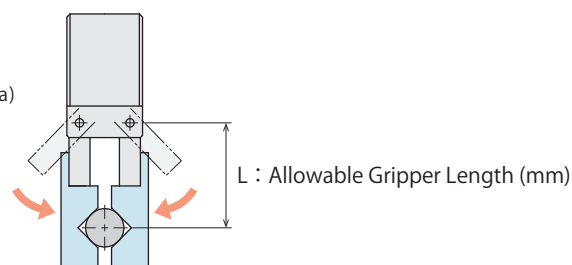
Model No.	WPJ0120 ^{※1}	WPJ0160	WPJ0200	WPJ0250	WPJ0300	WPJ0400		
Cylinder Inner Diameter	mm	12	16	20	25	30	40	
Gripping Force ^{※2} (Air Pressure : At 0.5MPa)	Closing Side N	16.5	27.5	43.2	76.5	130	216	
Opening Angle	°	-14 ~ +30	-5 ~ +15	-5 ~ +20	-5 ~ +20	-5 ~ +20	-5 ~ +25	
Repeatability ^{※3}	mm	±0.1						
Angle Error (One Side)	°	Opened State : -2 ~ +5 / Closed State : -5 ~ +2						
Allowable Gripper Length L (at 0.5MPa) ^{※4}	mm	25	50	80	90	100	120	
Maximum Cycle / min.		80				60		
Cylinder Capacity (Clamping w/o Workpiece)	Closing Side	cm ³	0.2	0.3	0.6	1.2	2.4	5.1
	Opening Side	cm ³	0.3	0.4	0.8	1.6	2.8	6.0
Maximum Operating Pressure	MPa	0.7						
Minimum Operating Pressure	MPa	0.5	0.2					
Withstanding Pressure	MPa	1.05						
Operating Temperature Range	°C	5 ~ 60						
Usable Fluid		Dry Air						
Weight	kg	0.03	0.10	0.25	0.30	0.40	0.74	

Notes : ※1. Only WPJ0120 is a single-acting normal open model.

※2. Gripping force indicates the calculated value based on the gripper length (L).

※3. Repeatability under the same condition (no load).

※4. L : Allowable Gripper Length (mm) (Air Pressure : at 0.5MPa)



Hand
Auto Switch

Cautions
and Others

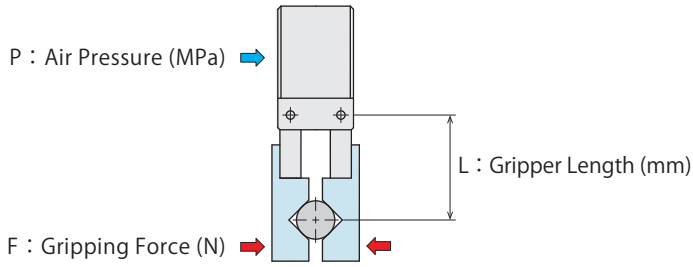
Robotic Hand
Wide Angular Gripper
WPE

Robotic Hand
Parallel Gripper
WPF

Robotic Hand
Angular Gripper
WPJ

Auto Switch
Proximity Switch
JEP

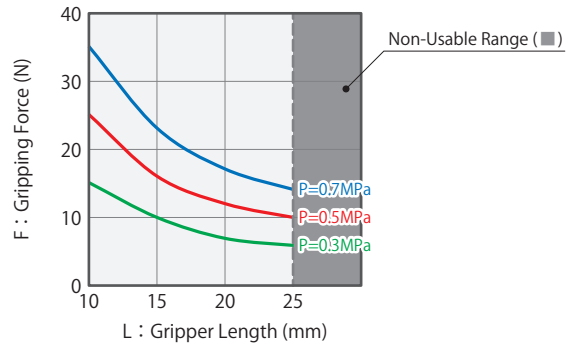
Gripping Force Performance Curve



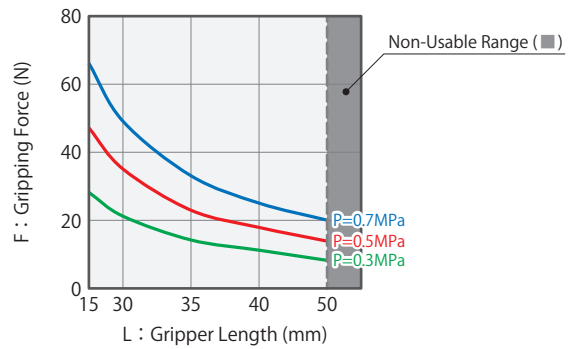
Notes:

1. This chart and graph show the relationship among: F:Gripping Force (N), P:Air Pressure (MPa) and L:Gripper Length (mm).
2. Operation in the non-usable range may cause deformation, seizure or air leakage.

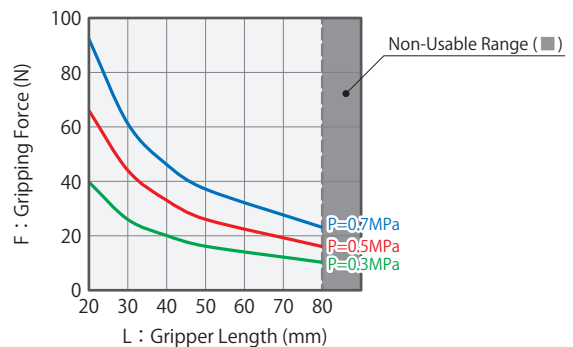
WPJ0120					(N)
Air Pressure (MPa)	Gripper Length L (mm)				
	10	15	20	25	
0.7	35	23	17	14	
0.5	25	16	12	10	
0.3	15	10	7	6	



WPJ0160						(N)
Air Pressure (MPa)	Gripper Length L (mm)					
	15	20	30	40	50	
0.7	66	49	33	25	20	
0.5	47	35	23	18	14	
0.3	28	21	14	11	8	



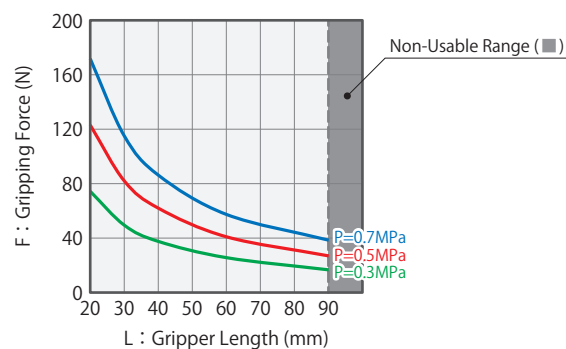
WPJ0200						(N)
Air Pressure (MPa)	Gripper Length L (mm)					
	20	30	40	50	80	
0.7	92	61	46	37	23	
0.5	66	44	33	26	16	
0.3	40	26	20	16	10	



WPJ0250

(N)

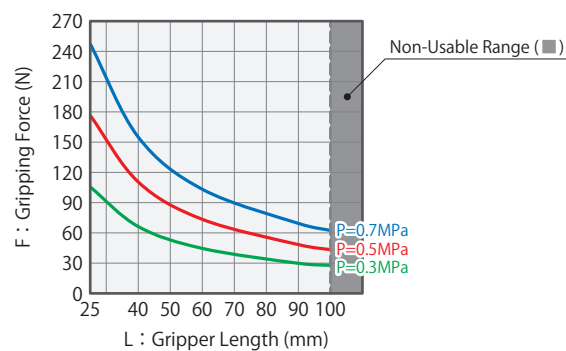
Air Pressure (MPa)	Gripper Length L (mm)				
	20	30	40	60	90
0.7	172	115	86	57	38
0.5	123	82	62	41	27
0.3	74	49	37	25	16



WPJ0300

(N)

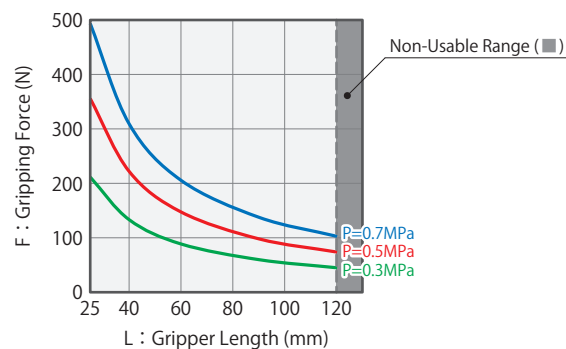
Air Pressure (MPa)	Gripper Length L (mm)				
	25	40	60	90	100
0.7	248	155	103	69	62
0.5	177	111	74	49	44
0.3	106	66	44	29	27



WPJ0400

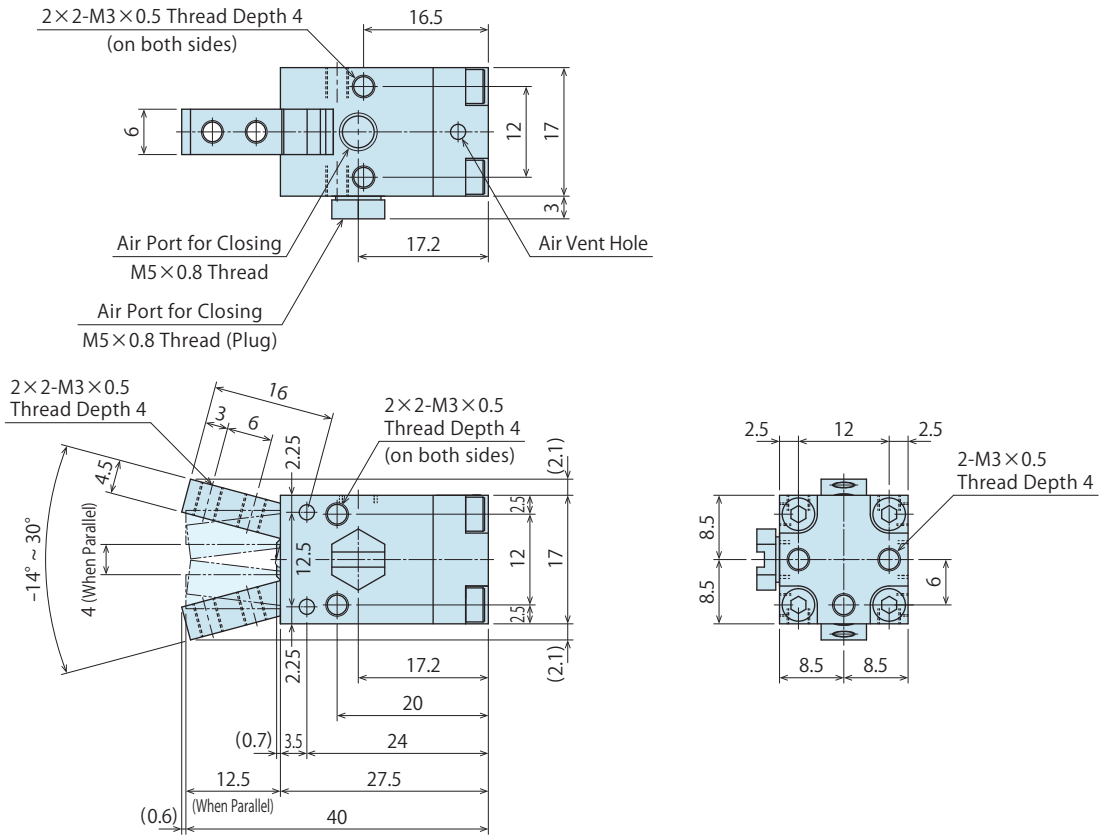
(N)

Air Pressure (MPa)	Gripper Length L (mm)				
	25	40	60	90	120
0.7	495	310	206	138	103
0.5	354	221	147	98	74
0.3	212	133	88	59	44



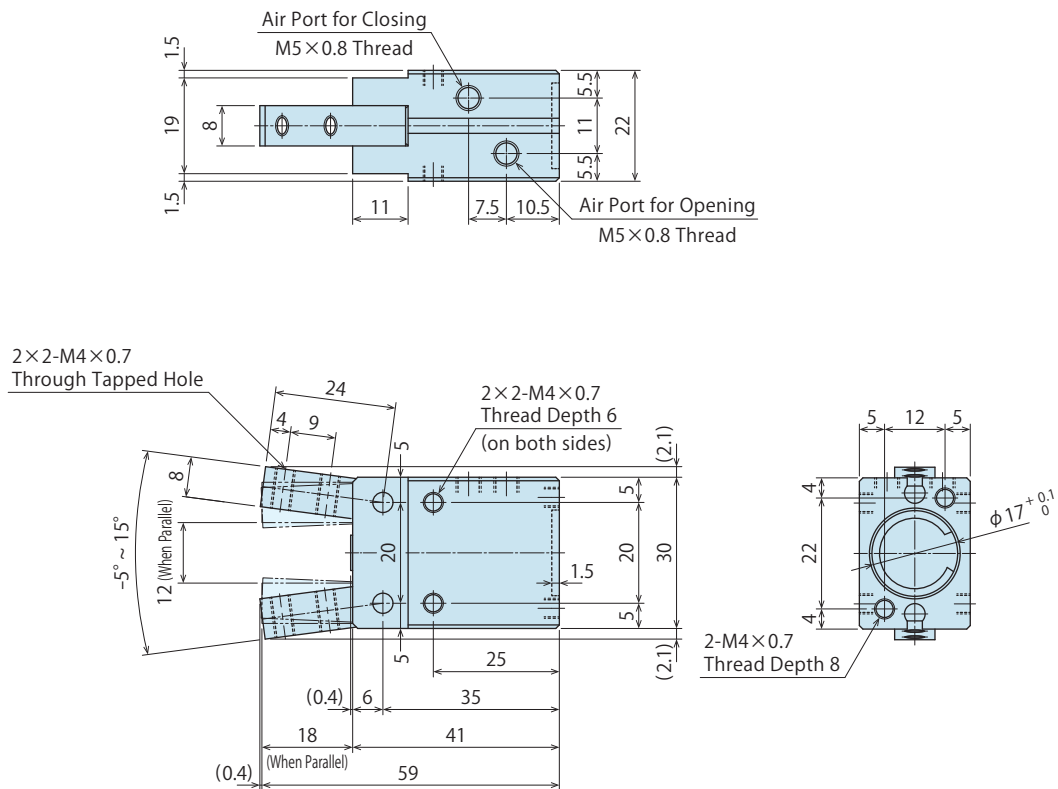
External Dimensions : WPJ0120

※ The drawing shows the opened state of WPJ0120.



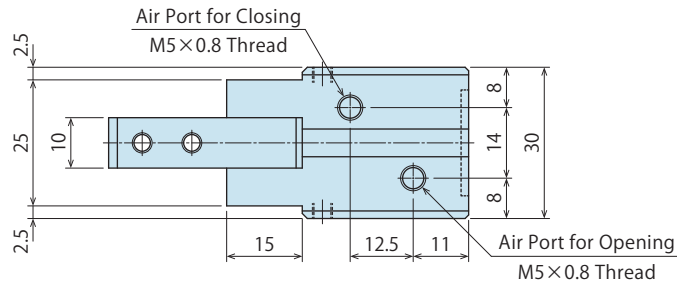
External Dimensions : WPJ0160

※ The drawing shows the opened state of WPJ0160.

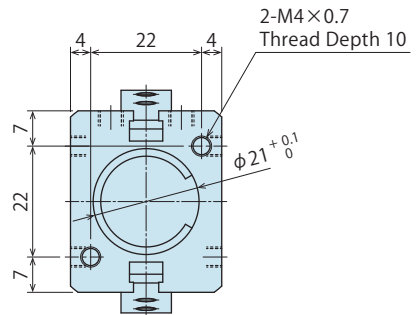
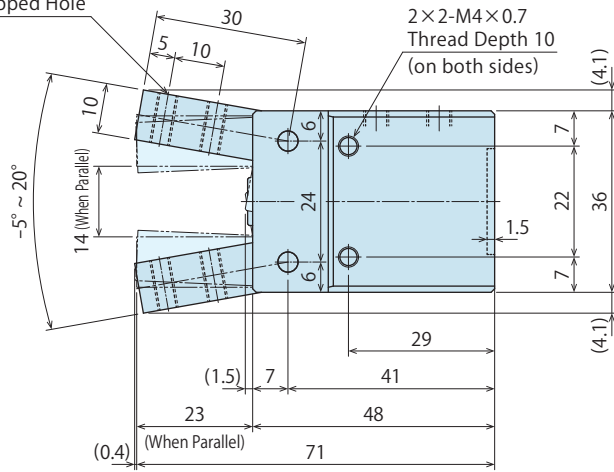


● External Dimensions : WPJ0200

※ The drawing shows the opened state of WPJ0200.

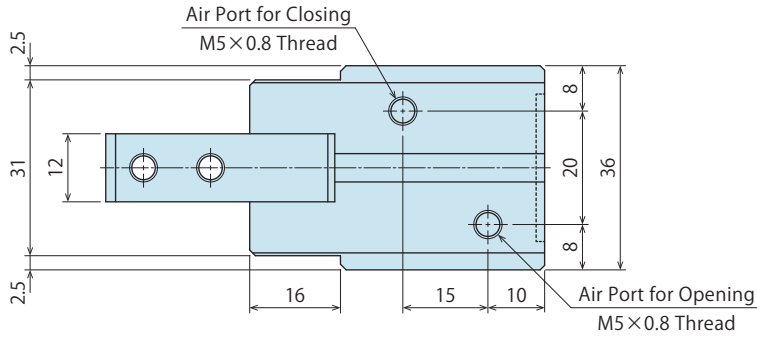


2×2-M4×0.7 Through Tapped Hole

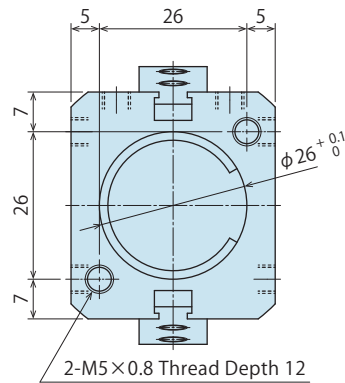
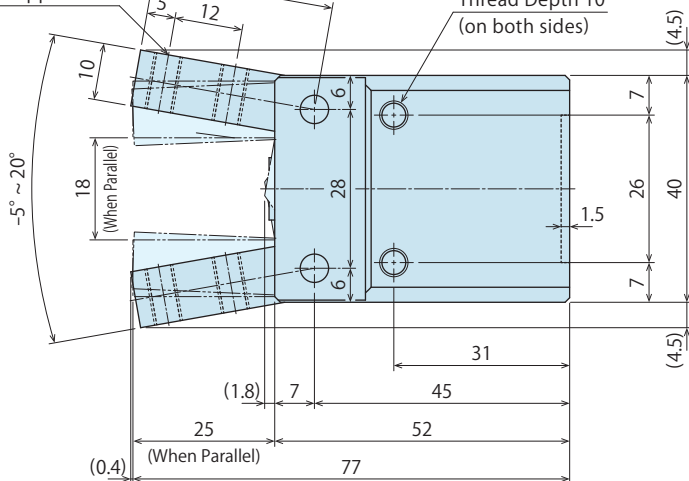


● External Dimensions : WPJ0250

※ The drawing shows the opened state of WPJ0250.

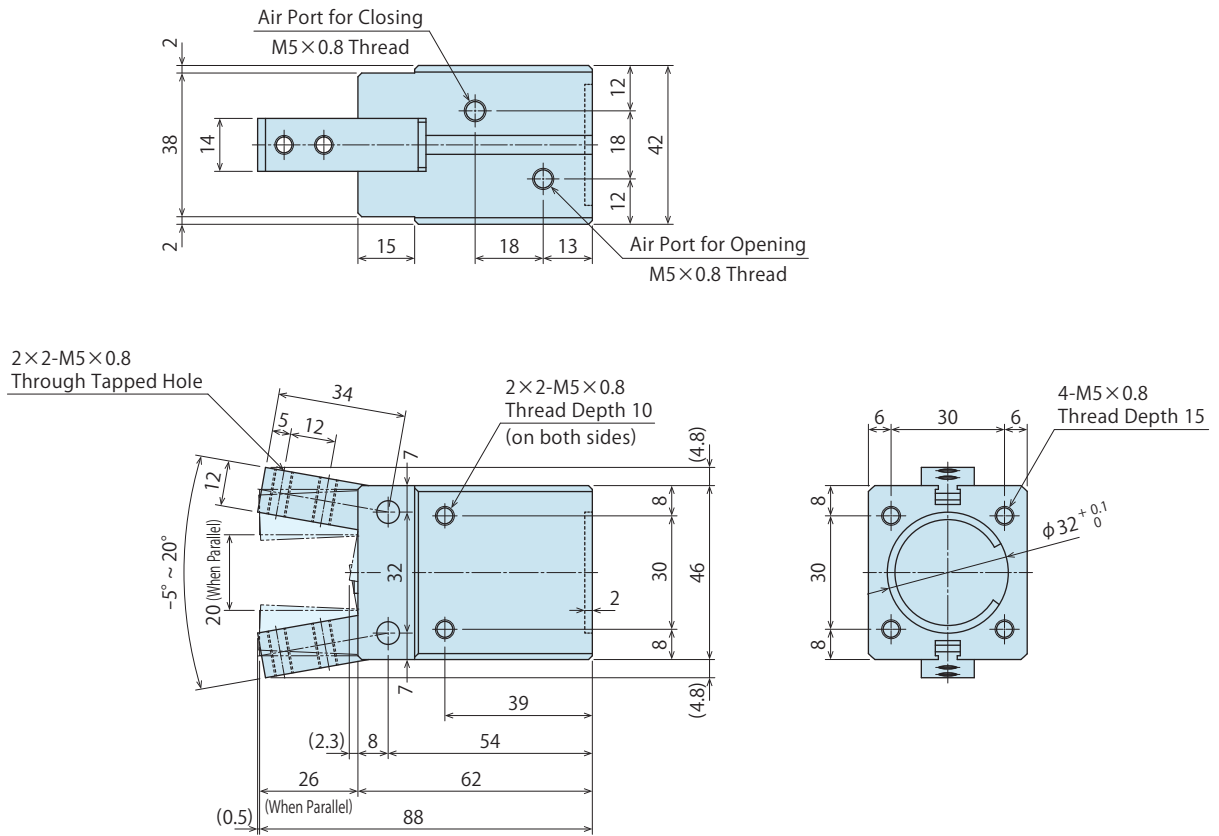


2×2-M5×0.8 Through Tapped Hole



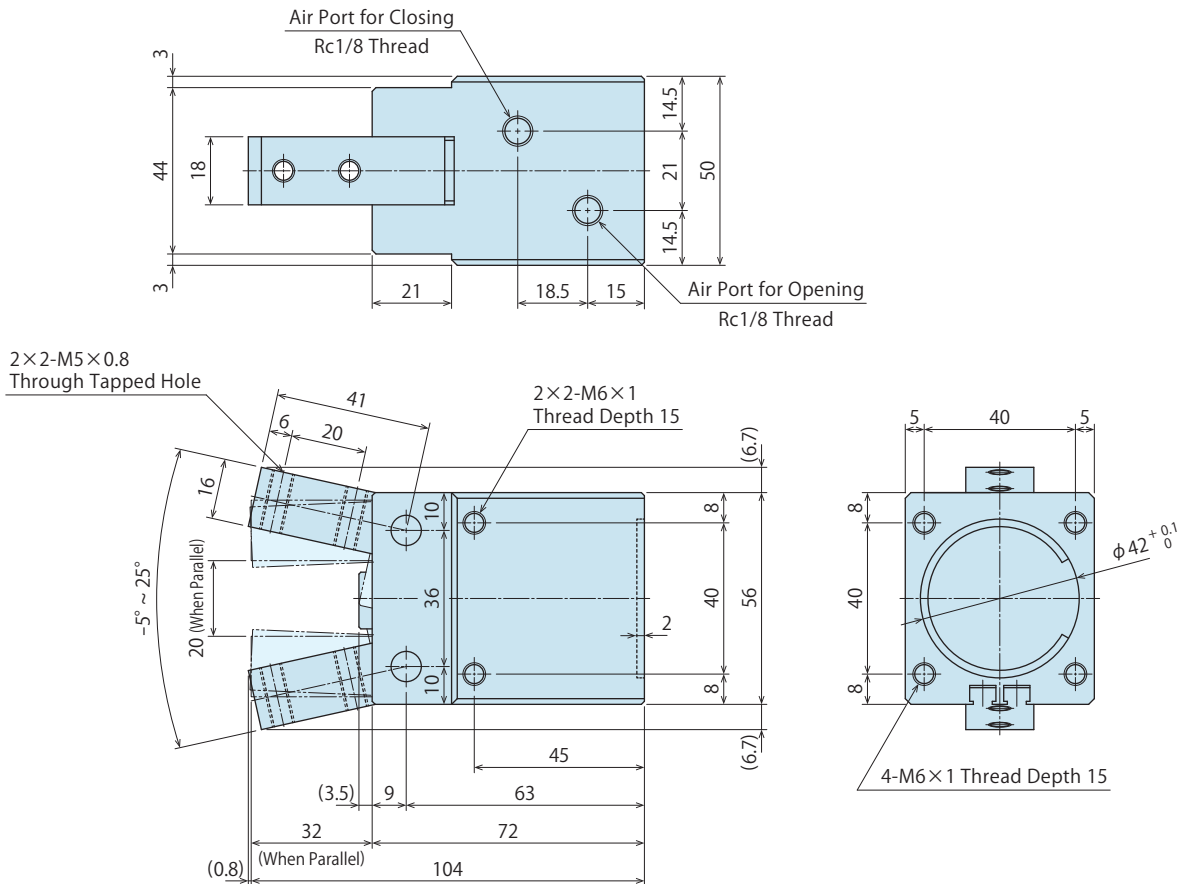
External Dimensions : WPJ0300

※ The drawing shows the opened state of WPJ0300.



External Dimensions : WPJ0400

※ The drawing shows the opened state of WPJ0400.



 **MEMO****Hand
Auto Switch****Cautions
and Others**Robotic Hand
Wide Angular Gripper

WPE

Robotic Hand
Parallel Gripper

WPF

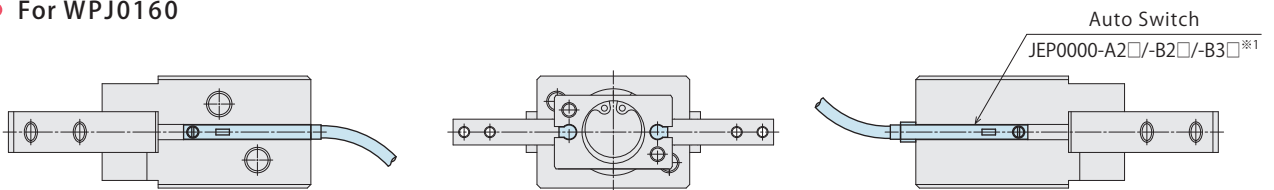
**Robotic Hand
Angular Gripper****WPJ**Auto Switch
Proximity Switch

JEP

● External Dimensions : Auto Switch

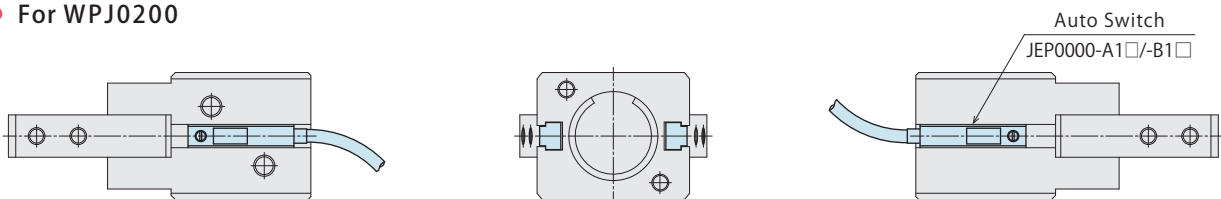
※ This drawing shows the installation image of Auto Switch JEP0000-A1□ / A2□ and JEP0000-B1□ / B2□.
 Installation image of L-Shaped Auto Switch -A2V□ and -B3□ is different from this.
 Adjust installation position depending on the stroke position. Please refer to P.37 ~ P.44 for details of JEP Auto Switch.
 An auto switch may be stuck out of the robotic hand depending on the installation position and direction.

● For WPJ0160

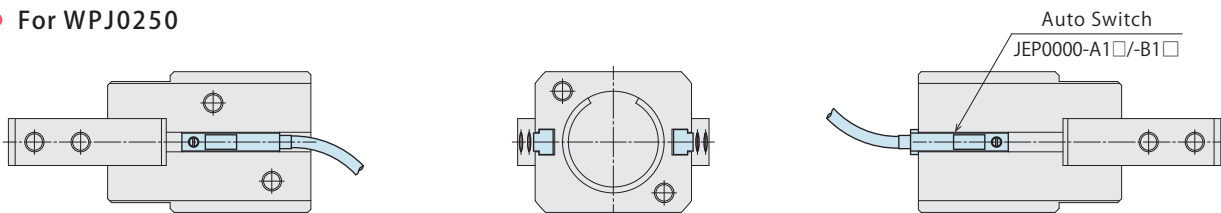


Note :
 ※1. The image of JEP0000-B3□ is different from this.

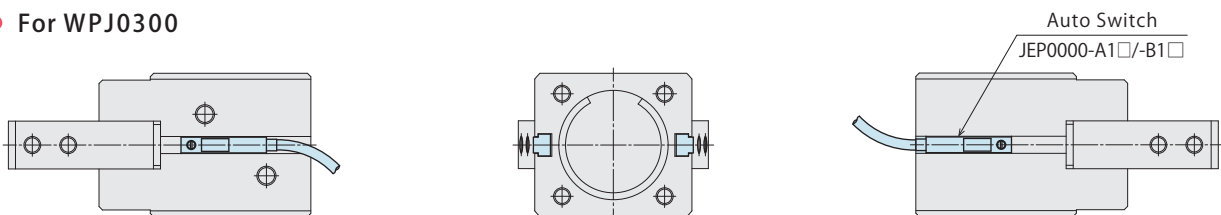
● For WPJ0200



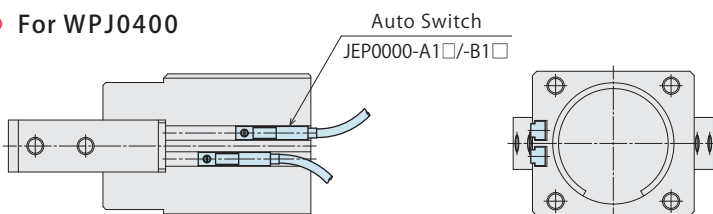
● For WPJ0250



● For WPJ0300

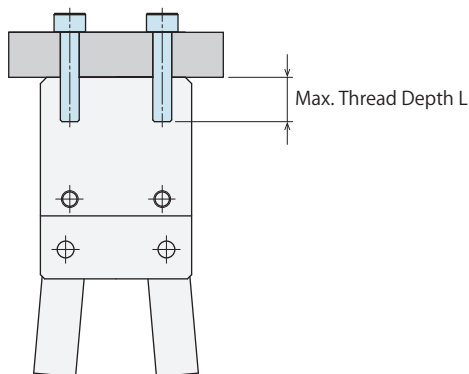


● For WPJ0400



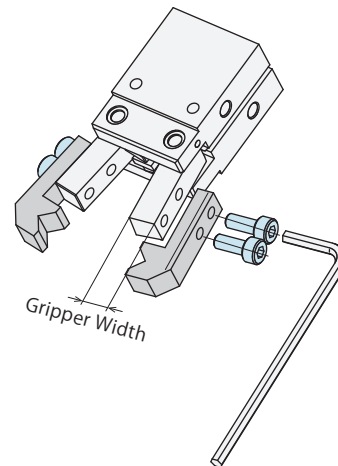
● Installation Method

- Tightening Torque for Cylinder Body :
Axial Direction Installation



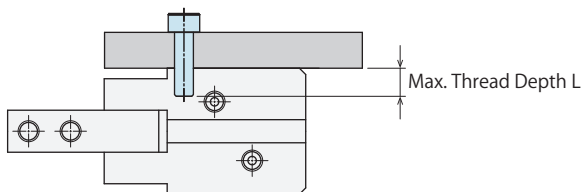
Model No.	Mounting Bolt Thread Size	Tightening Torque (N·m)	Max. Thread Depth L (mm)
WPJ0120	M3×0.5	1.1	4
WPJ0160	M4×0.7	2.5	8
WPJ0200	M4×0.7	2.5	10
WPJ0250	M5×0.8	5.0	12
WPJ0300	M5×0.8	5.0	15
WPJ0400	M6×1	7.9	15

- Tightening Torque for Gripper



Model No.	Mounting Bolt Thread Size	Tightening Torque (N·m)	Gripper Width (mm)
WPJ0120	M3×0.5	1.1	4
WPJ0160	M4×0.7	2.5	8
WPJ0200	M4×0.7	2.5	10
WPJ0250	M5×0.8	5.0	10
WPJ0300	M5×0.8	5.0	12
WPJ0400	M6×1	7.9	16

- Tightening Torque for Cylinder Body : Side Direction Installation (Using Tapped Hole)



Model No.	Mounting Bolt Thread Size	Tightening Torque (N·m)	Max. Thread Depth L (mm)
WPJ0120	M3×0.5	1.1	4
WPJ0160	M4×0.7	2.5	6
WPJ0200	M4×0.7	2.5	10
WPJ0250	M5×0.8	5.0	10
WPJ0300	M5×0.8	5.0	10
WPJ0400	M6×1	7.9	15

Hand
Auto Switch

Cautions
and Others

Robotic Hand
Wide Angular Gripper

WPE

Robotic Hand
Parallel Gripper

WPF

Robotic Hand
Angular Gripper

WPJ

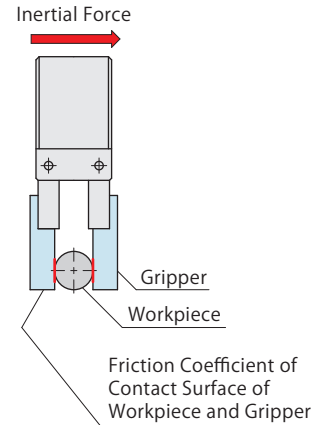
Auto Switch
Proximity Switch

JEP

● Gripper Length/Workpiece Weight Graph

● Inertial Force • Friction Coefficient • Safety Factor Selection List

Inertial Force		Friction Coefficient※1	Safety Factor
Low Speed	Stops after 0.1 sec at the speed of 0 ~ 100mm/sec.	Large	5 times
		Small	10 times
Middle Speed	Stops after 0.1 sec at the speed of 100 ~ 300mm/sec.	Large	10 times
		Small	15 times
	Stops after 0.1 sec at the speed of 300 ~ 500mm/sec.	Large	15 times
		Small	20 times
High Speed	Stops after 0.1 sec at the speed of 500 ~ 1000mm/sec.	-	30 times



Note :

- ※1. Indicates the friction coefficient of contact surface of workpiece and gripper. Refer to the condition below.
 Friction Coefficient : Small (Approximately $\mu=0.1$) ... When contact surface is flat.
 Friction Coefficient : Large (More than $\mu=0.15$) ... When contact surface is serration or spike shape.

● How to Read Gripper Length/Workpiece Weight Graph

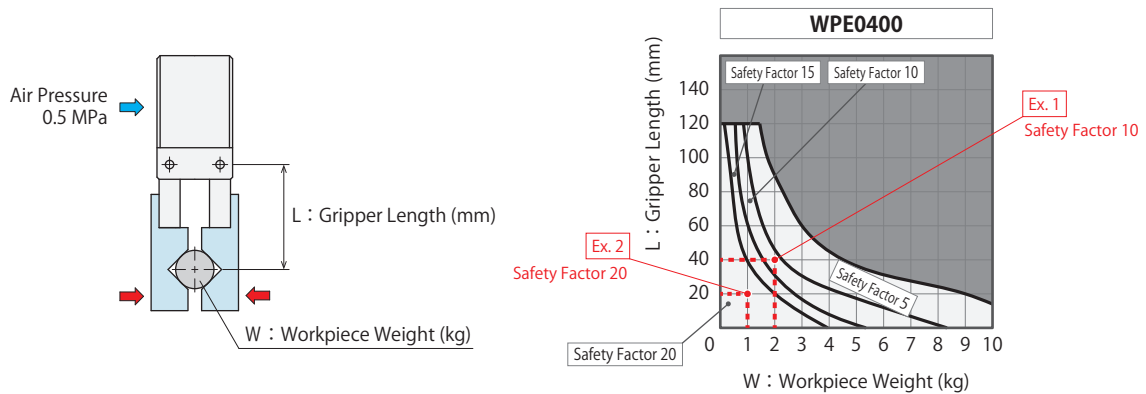
The selection method is a reference. It is recommended to consider the actual conditions (environment) when selecting the product. The graph shows when air pressure is 0.5MPa.

【Ex. 1】

When using WPE0400 (close side) with 2kg workpiece and 40mm gripper, the safety factor should be 10 times. When using it with lower speed which is indicated in Inertial Force • Friction Coefficient • Safety Factor Selection List, the friction coefficient of contact surface can be small. When using it with middle speed (stops after 0.1 sec at the speed of 100~300mm/sec.), contact surface should be serration or spike shape to secure larger friction coefficient.

【Ex. 2】

When using it with middle speed (stops after 0.1 sec at the speed of 300 ~ 500mm/sec.) and when friction coefficient is small due to flat contact surface, the safety factor should be 20 times. When using WPE0400 (close side) with 20 times safety factor and 20mm gripper, the maximum workpiece weight is 1kg.



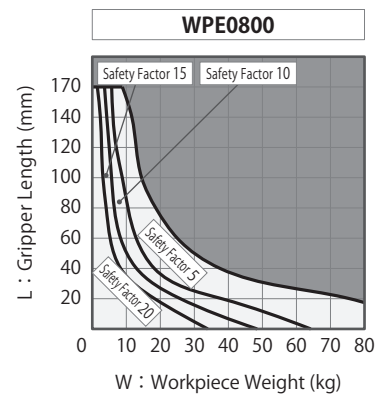
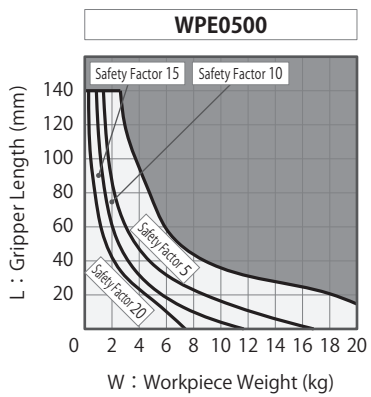
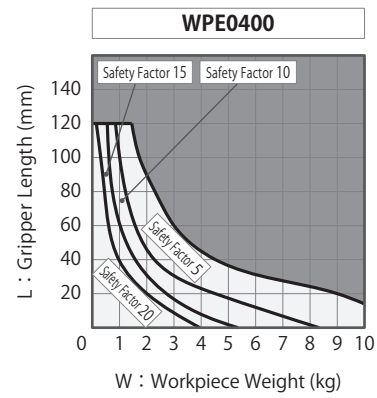
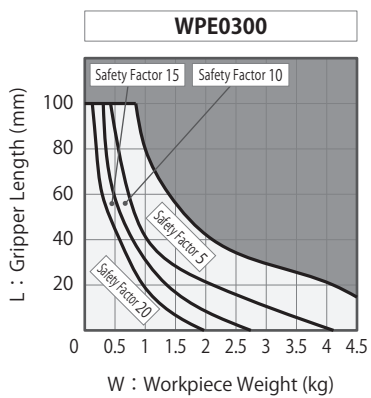
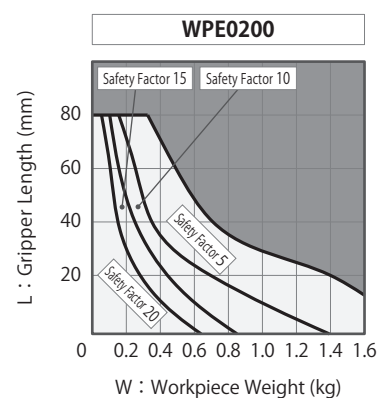
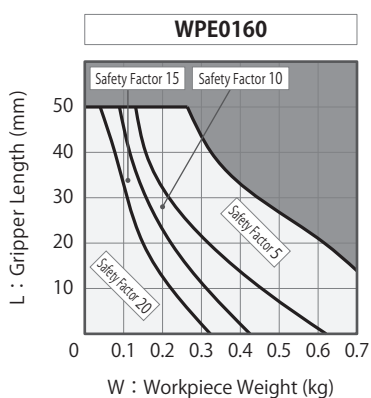
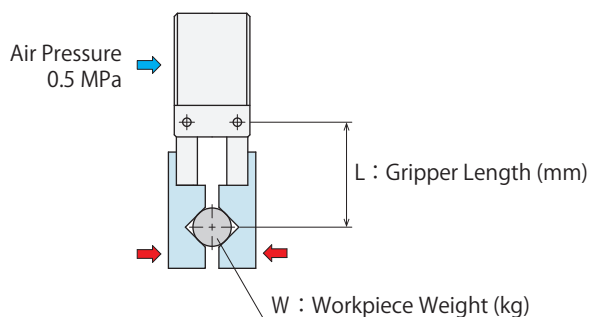
● Relationship between Workpiece Weight and Robotic Hand Gripping Force

The safety factor of robotic hand gripping force to workpiece weight should be approximately 16 times for each robot manufacturer, but it differs according to the conditions. Refer to the following contents when selecting the product.

- ① Workpiece Gravity Center and Gripping Position
It is recommended to design the gripper so that it grips the workpiece gravity center with the center of robotic hand.
- ② Gripper Length
The load applied on the robotic hand body depends on the gripper length. It is recommended to design the gripper so that the workpiece gravity center is as close as possible to the robotic hand.

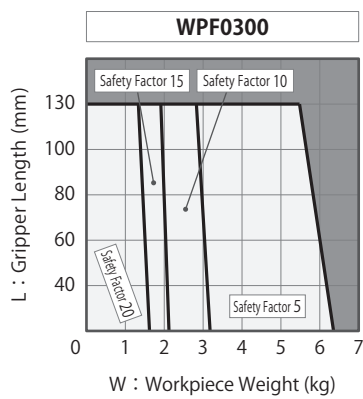
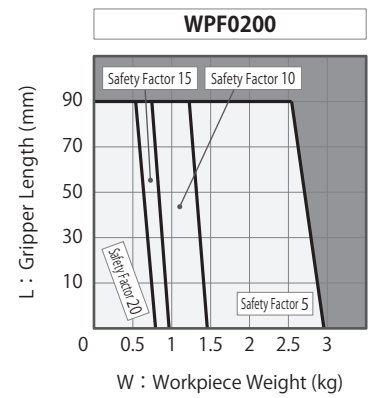
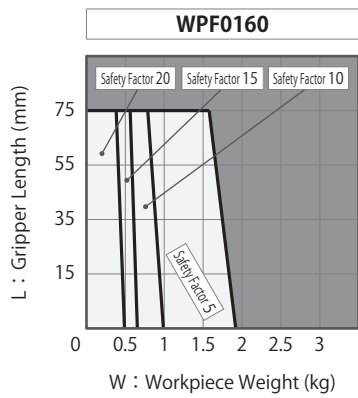
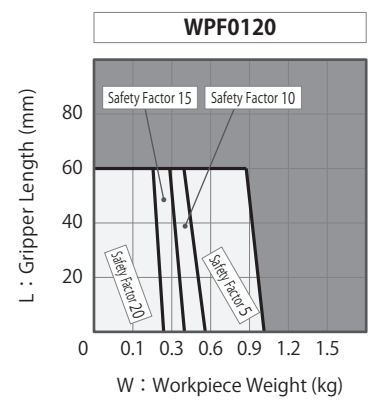
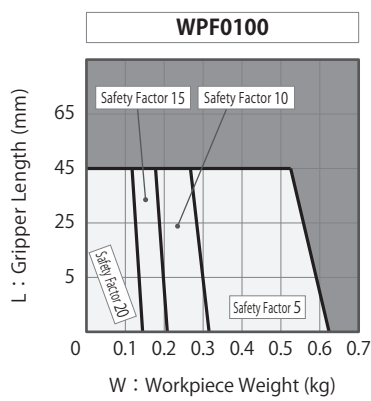
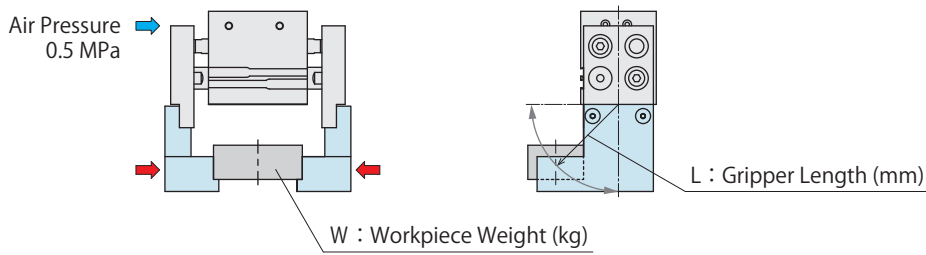
- Hand Auto Switch
- Cautions and Others
- Robotic Hand Wide Angular Gripper
 - WPE
- Robotic Hand Parallel Gripper
 - WPF
- Robotic Hand Angular Gripper
 - WPJ
- Auto Switch Proximity Switch
 - JEP

● WPE : Closing Side



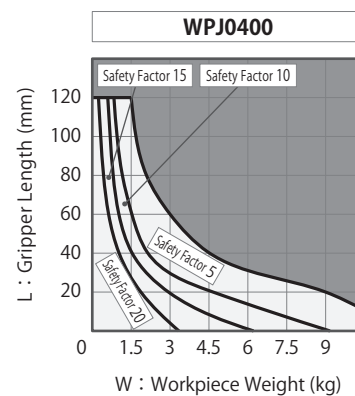
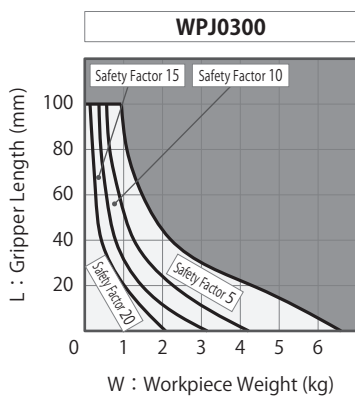
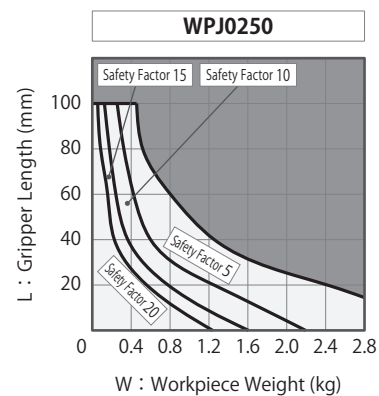
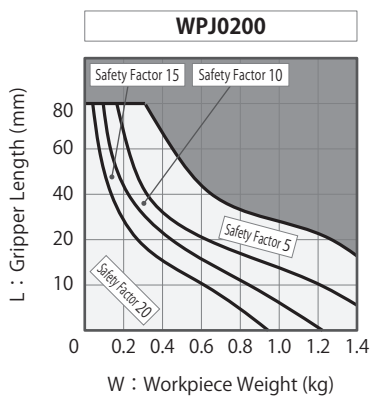
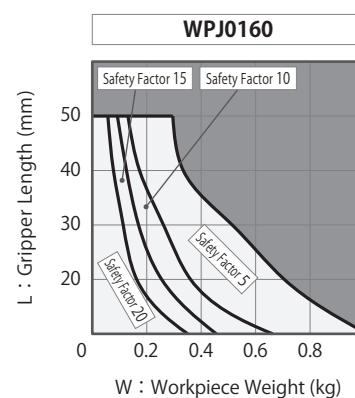
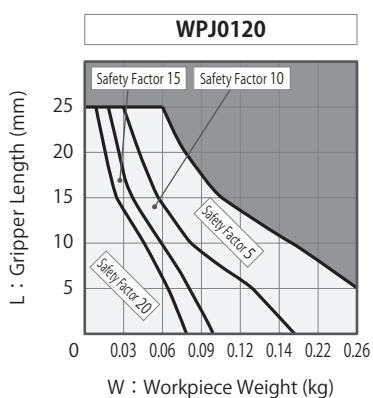
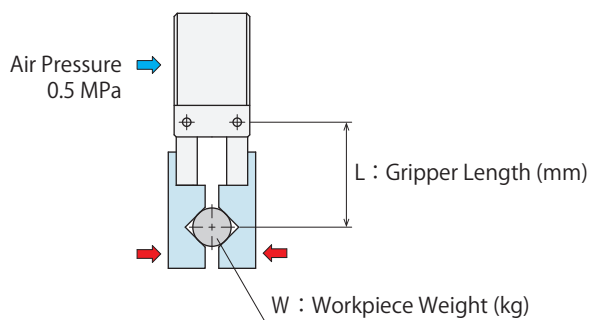
● Gripper Length/Workpiece Weight Graph

- WPF : Closing Side



- Hand Auto Switch
- Cautions and Others
- Robotic Hand Wide Angular Gripper
 - WPE
- Robotic Hand Parallel Gripper
 - WPF
- Robotic Hand Angular Gripper
 - WPJ
- Auto Switch Proximity Switch
 - JEP

● WPJ : Closing Side



● Cautions

● Notes for Design

1) Check Specifications

- Please check the maximum operating pressure and the minimum operating pressure shown in the specifications before use. However, the maximum operating pressure and gripping force may change depending on the gripper length. Please provide appropriate air pressure in order to avoid deformation, seizure or air leakage caused by overload applied to the robotic hand.

2) Notes for Circuit Design

- Please design the air circuit properly and review the circuit design in advance in order to avoid malfunction or breakage of the device.

3) Protective Cover Installation

- If the moving parts of the robot or robotic hand may endanger human life, please install the protection cover.

4) Please supply filtered clean dry air.

- Oil supply with a lubricator etc. is unnecessary.

5) Adjustment of Operating Speed

- If the operating speed of the robotic hand is very fast, it leads to wear-out or malfunction of the parts. Please prepare a speed controller to adjust speed in order not to exceed the appropriate opening and closing time.

6) For Use of Auto Switch

- Select an auto switch depending on the environment.
- An auto switch may be stuck out of the robotic hand depending on the installation position and direction.

● Installation Notes

1) Check the Fluid to Use

- Please supply filtered clean dry air. (Install drain removing device.)
- Oil supply with a lubricator etc. is unnecessary. Oil supply with a lubricator may cause loss of the initial lubricant. The operation under low pressure and low speed may be unstable. (In case of using secondary lubricant, please supply the lubricant continuously.)

2) Preparation for Piping

- Pipes, piping connectors and fixture circuits should be cleaned and flushed thoroughly. The dust and cutting chips in the circuit may lead to air leakage and malfunction.
- There is no filter provided with this product for prevention of contaminants in the air circuit.

3) Applying Sealing Tape

- Wrap with tape 1 to 2 times following the screwing direction.
- Pieces of the sealing tape can lead to air leakage and malfunction.
- When piping, be careful that contaminant such as sealing tape does not enter the products.

4) Installation of the Robotic Hand and the Gripper

- Please tighten the robotic hand/gripper with the tightening torque listed on each product page.
WPE : P.10, WPF : P.20, WPJ : P.30

5) Trial Operation Method

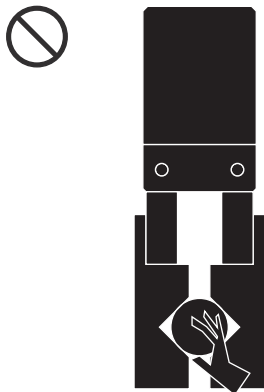
- Avoid supplying large air flow right after the installation. The operating time will be very fast and the robotic hand may be seriously damaged. Please install the speed controller near the air source and gradually supply air pressure.

6) Adjustment of Operating Speed

- If the operating speed of the robotic hand is very fast, it leads to wear-out or malfunction of the parts. Please prepare a speed controller to adjust speed in order not to exceed the appropriate opening and closing time.

● Notes on Handling

- 1) It should be operated by qualified personnel.
 - Machines and devices with hydraulic and pneumatic equipment should be operated and maintained by qualified personnel.
- 2) Do not operate or remove the product unless the safety protocols are ensured.
 - ① The machine and equipment can only be inspected or prepared when it is confirmed that the safety devices are in place.
 - ② Before the product is removed, make sure that the above-mentioned safety devices are in place. Shut off the pressure and power source, and make sure no pressure exists in the air and hydraulic circuits.
 - ③ After stopping the product, do not remove until the temperature drops.
 - ④ Make sure there is no trouble/issue in the bolts and respective parts before restarting the machine or equipment.
- 3) Do not touch the robotic hand or the robot while it is operating. Otherwise, your hands may be injured.



- 4) Do not disassemble or modify.
 - If the equipment is taken apart or modified, the warranty will be voided even within the warranty period.

● Maintenance and Inspection

- 1) Removal of the Product and Shut-off of Pressure Source
 - Before removing the product, make sure that safety devices and preventive devices are in place. Shut off the pressure and power source, and make sure no pressure exists in the air and hydraulic circuits.
 - Make sure there is no trouble/issue in the bolts and respective parts before restarting.
- 2) Regularly clean the area around the robotic hand.
 - If it is used when the surface is contaminated with dirt, it may lead to malfunctioning and insufficient gripping force.
- 3) Regularly tighten pipes, mounting bolts and others to ensure proper use.
- 4) Make sure to supply filtered clean dry air.
- 5) Make sure there is a smooth action without an irregular noise.
 - Especially when it is restarted after left unused for a long period, make sure it can be operated correctly.
- 6) The products should be stored in the cool and dark place without direct sunshine or moisture.
- 7) Please contact us for overhaul and repair.

● Warranty

- 1) Warranty Period
 - The product warranty period is 18 months from shipment from our factory or 12 months from initial use, whichever is earlier.
- 2) Warranty Scope
 - If the product is damaged or malfunctions during the warranty period due to faulty design, materials or workmanship, we will replace or repair the defective part at our expense. Defects or failures caused by the following are not covered.
 - ① If the stipulated maintenance and inspection are not carried out.
 - ② Failure caused by the use of the non-confirming state at the user's discretion.
 - ③ If it is used or operated in an inappropriate way by the operator. (Including damage caused by the misconduct of the third party.)
 - ④ If the defect is caused by reasons other than our responsibility.
 - ⑤ If repair or modifications are carried out by anyone other than Kosmek, or without our approval and confirmation, it will void warranty.
 - ⑥ Other caused by natural disasters or calamities not attributable to our company.
 - ⑦ Parts or replacement expenses due to parts consumption and deterioration. (Such as rubber, plastic, seal material and some electric components.)

Damages excluding from direct result of a product defect shall be excluded from the warranty.

Model No. Indication

JEP 000 0 - A1 L

1 2 3

1 Design No.

0 : Revision Number

2 Switch Type

- A1** : 2-Wire Reed Auto Switch
- A2** : 2-Wire Reed Auto Switch
- A2V** : 2-Wire L-Shaped Reed Auto Switch
- B1** : 3-Wire Solid State Auto Switch
- B2** : 3-Wire Solid State Auto Switch
- B3C** : 3-Wire L-Shaped Solid State Auto Switch

3 Electric Cable Length

Blank : 1m

L : 3m

Application Table

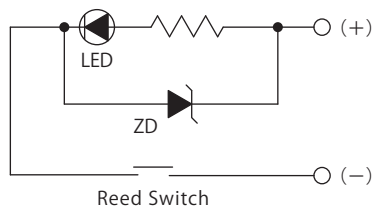
Switch Type	2-Wire Reed Auto Switch		3-Wire Solid State Auto Switch		
	JEP0000-A1□	JEP0000-A2□ JEP0000-A2V□	JEP0000-B1□	JEP0000-B2□	JEP0000-B3C□
WPE0160		●		●	●
WPE0200	●		●		
WPE0300	●		●		
WPE0400	●		●		
WPE0500	●		●		
WPE0800	●		●		
WPF0100	Not Applicable				
WPF0120		●		●	●
WPF0160		●		●	●
WPF0200	●		●		
WPF0300	●		●		
WPJ0120	Not Applicable				
WPJ0160		●		●	●
WPJ0200	●		●		
WPJ0250	●		●		
WPJ0300	●		●		
WPJ0400	●		●		

● JEP0000-A□□ (2-Wire Reed Auto Switch)

● Specifications

Model No.	JEP0000-A1	JEP0000-A1L	JEP0000-A2	JEP0000-A2L	JEP0000-A2V	JEP0000-A2VL
Name	Reed Auto Switch					
Wiring Type	2-Wire					
Applicable Load	Relay, Programmable Logic Controller (PLC)					
Load Voltage / Load Current	Less than DC24V / 40mA Less than AC100V / 20mA					
Internal Voltage Drop	Less than 3V					
Operating Time	1ms					
Ambient Temperature	-10 ~ 60°C					
Withstand Voltage	AC1500V (There should be no abnormalities in 1 min. application.)					
Leakage Current	0					
Shock Resistance	30G					
Protection Circuit	None					
Protection Grade	IP67 (IEC Standard)					
Indicator Light	Red LED illuminates when turned ON					
Electric Cable Length	1m	3m	1m	3m	1m	3m

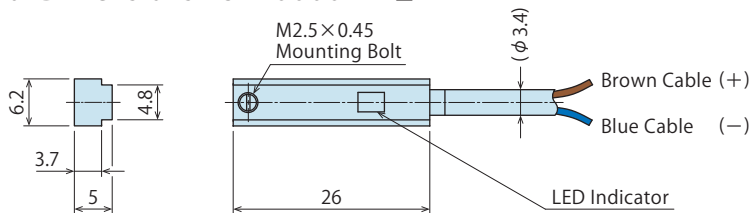
● Electric Circuit Diagram



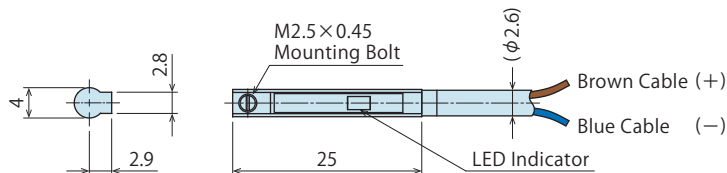
Note :

1. Auto switch will instantly break due to over loading current if turning on the auto switches without connecting the load. (Refer to Notes on Wiring 4) and 5) on P.43.)

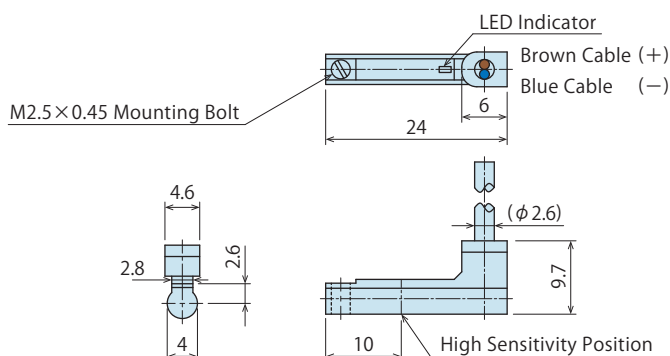
● External Dimensions : JEP0000-A1□



● External Dimensions : JEP0000-A2□



● External Dimensions : JEP0000-A2V□

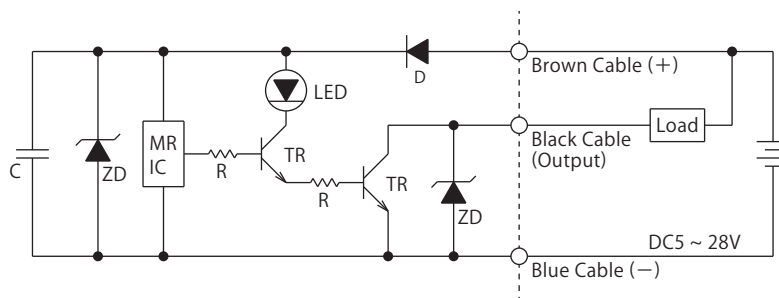


● JEP0000-B□□ (3-Wire Solid State Auto Switch)

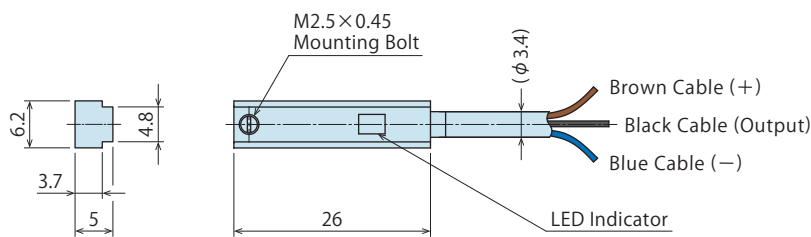
● Specifications

Model No.	JEP0000-B1	JEP0000-B1L	JEP0000-B2	JEP0000-B2L
Name	Solid State Auto Switch			
Wiring Type	3-Wire			
Applicable Load	Relay, Programmable Logic Controller (PLC)			
Output Type	NPN			
Load Voltage / Load Current	Less than DC5 ~ 28V / 50mA			
Internal Voltage Drop	Less than 0.8V			
Leakage Current	Less than 0.1mA			
Current Consumption	Less than 10mA			
Operating Time	Less than 1ms			
Ambient Temperature	-10 ~ 60°C			
Withstand Voltage	AC1500V (There should be no abnormalities in 1 min. application.)			
Insulation Resistance	More than 50MΩ / DC500V (Between the Case and Signal Cable)			
Shock Resistance	30G			
Protection Grade	IP67 (IEC Standard)			
Indicator Light	Red LED illuminates when turned ON			
Electric Cable Length	1m	3m	1m	3m

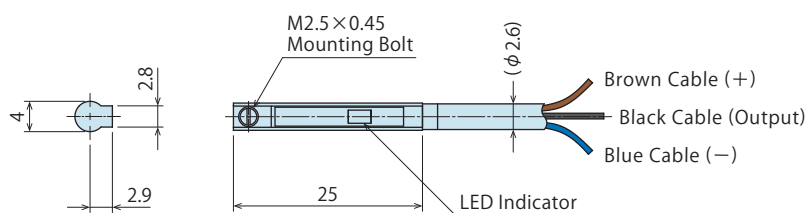
● Electric Circuit Diagram



● External Dimensions : JEP0000-B1□



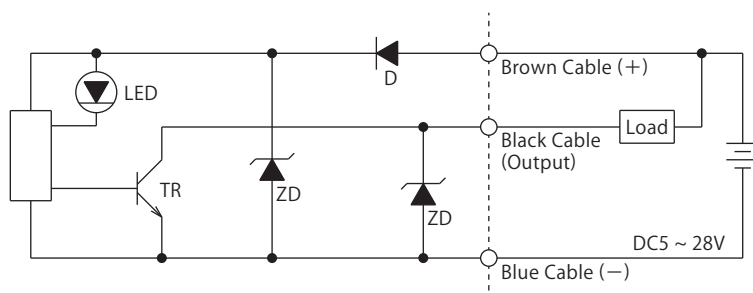
● External Dimensions : JEP0000-B2□



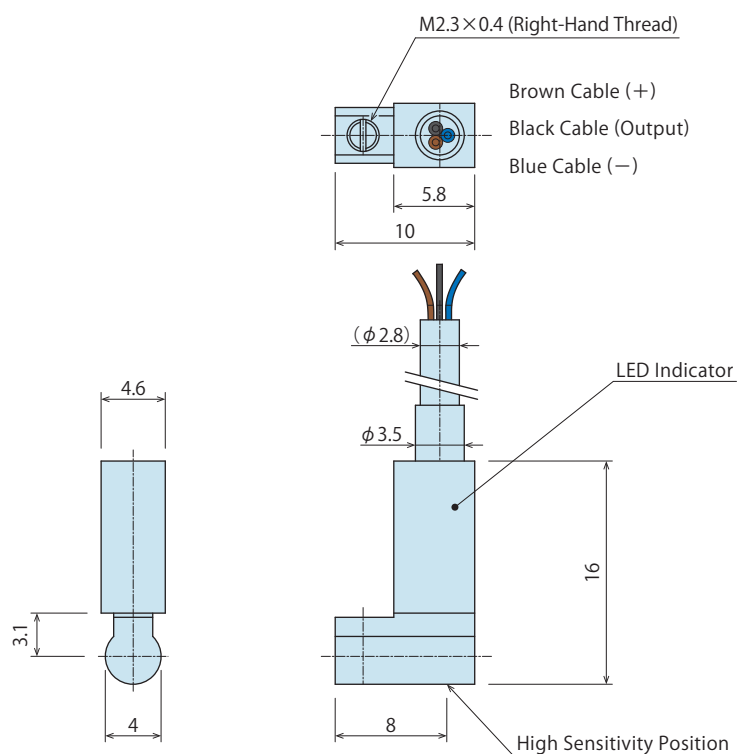
Specifications

Model No.	JEP0000-B3C	JEP0000-B3CL
Name	Solid State Auto Switch	
Wiring Type	3-Wire	
Applicable Load	Relay, Programmable Logic Controller (PLC)	
Output Type	NPN	
Load Voltage / Load Current	DC5 ~ 28V / 50mA	
Internal Voltage Drop	Less than 0.8V	
Leakage Current	Less than 0.1mA	
Current Consumption	Less than 10 mA	
Operating Time	Less than 1ms	
Ambient Temperature	-10 ~ 60°C	
Withstand Voltage	AC1500V (There should be no abnormalities in 1 min. application.)	
Insulation Resistance	More than 100MΩ / DC500V (Between the Case and Signal Cable)	
Shock Resistance	30G	
Protection Grade	IP67(IEC Standard)	
Indicator Light	Red LED illuminates when turned ON	
Electric Cable Length	1m	3m

Electric Circuit Diagram



External Dimensions : JEP0000-B3C□



Cautions

● Notes for Design

- 1) Check the Specifications
 - Please use each product according to the specifications.
The product may be damaged or malfunction if used outside the range of load or specifications.
- 2) Notes on Use in the Interlock Circuit
 - When the auto switch is used for an interlock signal that requires high reliability, please use a double interlock system by providing a mechanical protection function. Or by using another switch (sensor) together with the auto switch. Also, please perform periodic maintenance and confirm proper operation.
- 3) Wiring should be prepared as short as possible.
 - For the reed auto switch, if the wiring length to the load is longer, inrush current to the auto switch increases and the life span will be shortened. (Remains ON)
 - If the wiring length of the solid state auto switch is long, we recommend installing the ferrite core on both ends of the electric cable for noise control.
- 4) Please avoid using loads that generate surge voltage.
 - If driving loads that generate surge voltage such as relay, please use the auto switch equipped with junction protective circuit or install protective box.
 - If surge voltage is repeatedly applied to the auto switch even with the Zener Diode for surge protection, it may damage the contact. When directly driving loads generating surge voltage, such as solenoid valves, use the auto switch equipped with surge absorption element.
 - The magnet switch is equipped with surge absorption element. However, please provide an absorption element, such as varistor, if there is large surge-generating equipment.
Example: Motors or welding machines.
- 5) Leakage Current
 - In case of 2-wire solid state auto switch, the leakage current that activates internal circuit of the auto switch may flow even in OFF state. If the load operating current (the controller is in OFF state) does not satisfy the specified leakage current, it may result in restoration defect (remains ON state).
If it does not satisfy the specifications, please use 3-wire auto switch. Also, n parallel connections will multiply leakage current flowing to the load by n times.
- 6) Internal Voltage Drop of the Auto Switch
 - Due to voltage drop (refer to internal voltage drop on the specifications) caused by internal resistance of LED, voltage drop of n auto switches connected in series will be multiplied by n times.
As a result, in some cases the load will not activate even if the auto switch drives properly.
- 7) When wiring is disconnected, or when forcibly activating the auto switch for action confirmation, carefully design the circuit to avoid reverse current.
 - The auto switch may malfunction or be damaged when reverse current occurs.
- 8) When multiple cylinders or robotic hands are placed close together.
 - Please provide enough space when using multiple actuators such as cylinders or robotic hands equipped with auto switches. (If allowable distance of each actuator is specified please follow specified instructions.) If they are too close, auto switches may malfunction due to magnetic interference.
- 9) Secure space for maintenance and inspection
 - Please secure space for maintenance and inspection of auto switches when setting actuators such as cylinders and robotic hands equipped with auto switches.

● Notes on Operating Environment

- 1) Never use the product in an atmosphere with explosive gases.
 - Auto switches are not designed to prevent explosion. Do not use the product in an atmosphere with explosive gases since it may cause serious explosions.
- 2) Do not use the product in an area where a magnetic field is generated.
 - Auto switches may malfunction, or internal magnet actuators, such as cylinders or robotic hands, equipped with auto switches will be demagnetized.
- 3) Do not use the product in an environment where the auto switches are continuously exposed to water or coolant.
 - Although IEC standard IP67 structure is satisfied, please avoid using auto switches in an environment where continuously exposed to water or coolant. This may cause insulation failure or malfunction.
- 4) Do not use the product in an environment with oil or chemicals.
 - If auto switches are used in an environment with coolant or cleaning solvent, even in a short time, they may be adversely affected by improper insulation, malfunction due to swelling of potting resin and/or hardening of electric cable.
- 5) Do not use the product in an environment subject to large temperature cycle.
 - Heat cycles other than ordinary changes in temperature may adversely affect the internal structure of auto switches.
- 6) Avoid accumulation of steel dust and close connection of magnetic materials.
 - An amount of steel chips or steel dusts, such as sputters of welding accumulate around an actuator. Cylinders, robotic hand equipped with auto switches and or magnetic materials (those attracted by magnet) are gathered closely to the actuator. These can weaken internal magnet actuators.
- 7) Do not use the product in an environment with excessive impact.
 - Under the condition of the excessive impact of more than 30G, the contact of the reed auto switch will malfunction and the indicator light may signal or may be disconnected.

● Installation Notes

- 1) Do not drop or bump.
 - Do not drop, bump or apply excessive impact on auto switches. The auto switches may be damaged and cause malfunction.
- 2) Tighten auto switches with appropriate tightening torque.
 - Please follow the tightening torque below. Excessive tightening torque may damage the mounting screw, fitting or main body of the auto switch. Also, mounting position may be shifted due to insufficient tightening torque.

Mounting Screw Size	Tightening Torque (N·m)
M2×0.4	0.1
M2.5×0.45	0.25
M3×0.5	0.5

- 3) Do not carry cylinders or robotic hands by holding the electric cable of the auto switch.
 - It may break the electric cable or damage the internal element.
- 4) Do not fix auto switches with the mounting screws other than attached in main body of the auto switches.
 - Using non-designated screws may damage auto switches.
- 5) Install the auto switches at the center of the operating area.
 - Installation position of auto switches should be adjusted so that a detected object (piston etc.) stops at the center of operating range. (Installation position shown in the catalog shows the most suitable fixed position of stroke end.)
If the auto switches are installed at the edge of operating range (near the boundary of ON and OFF), output movement may be unstable.
- 6) Installation position of the auto switches should be adjusted by checking actual operating state.
 - Depending on the installation environment, actuators such as cylinders and robotic hands may not operate properly even if they are installed to the appropriate position. Make sure to check the operating condition even when mounting them at the middle of the stroke.

Cautions

● Notes on Wiring

- 1) Check the insulation of wiring.
 - Insulation failure (interference with other circuit, ground fault, and insulation failure between terminals) may send excessive voltage or current to the auto switches causing damage.
- 2) Do not place wires and auto switch cables close to other cables and high voltage cables.
 - Otherwise, surge voltages will be induced creating noise and leading to malfunctions.
- 3) Repeated bending stress or stretching force should be avoided on electric cables.
 - Wiring with bending stress or stretching force repeatedly applied on electric cables will prematurely breakdown.
Bending stress or stretching force applied on the connecting area of electric cables and main body of the auto switches will damage the electric cables.
Auto switches or wires should not be moving especially near the connecting areas.
- 4) Make sure to check the load state (connection and current value) before turning on the power.
 - For 2-Wire Type
Auto switches will instantly break due to over loading current if turning on the auto switches without connecting the load (Shorted Load Circuit). The above statement is also applied to the condition when the brown cable (+, output) of 2-wire type is directly connected to the (+) power terminal of a fixture and etc.
- 5) Avoid shorted load circuit.
 - Reed Auto Switch
Auto switches will instantly break due to over loading current if turning on the auto switch in load short circuit condition.
 - Solid State Auto Switch
Be aware of auto switch breakages when products with PNP output is not equipped with short-circuit protection.
- 6) Avoid wrong wiring
 - Reed Auto Switch
The electric circuit has polarities. The brown cable is "+", and the blue cable is "-". The reed switch can operate even with reversed connection, but LED light will not illuminate.
Also, flowing excessive current will damage LED and it will not operate properly.
 - Solid State Auto Switch
In case of 2-wire type, even if connected reversely, the auto switch will not be damaged due to protection circuit, but it is always ON.
If reversely connected under short circuit condition, the auto switch will be damaged.
In case of 3-wire type, even if the connections are reversed (power supply line "+" and "-"), the auto switch will be protected by a protection circuit.
However, if connecting the power supply "+" to the blue cable and "-" to the black cable, the auto switch will be damaged.

● Notes on Handling

- 1) It should be operated by qualified personnel.
 - Machines and devices with hydraulic and pneumatic equipment should be operated and maintained by qualified personnel.
- 2) Do not operate or remove the product unless the safety protocols are ensured.
 - ① The machine and equipment can only be inspected or prepared when it is confirmed that the safety devices are in place.
 - ② Before the product is removed, make sure that the above-mentioned safety devices are in place. Shut off the pressure and power source, and make sure no pressure exists in the air and hydraulic circuits.
 - ③ After stopping the product, do not remove until the temperature drops.
 - ④ Make sure there is no trouble/issue in the bolts and respective parts before restarting the machine or equipment.
- 3) Do not disassemble or modify.
 - If the equipment is taken apart or modified, the warranty will be voided even within the warranty period.

● Maintenance • Inspection

Conduct the below maintenances and inspections periodically in order to avoid unintended malfunctions and to ensure the safety.

1) Removal of the Product and Shut-off of Pressure Source

- Before removing the product, make sure that safety devices and preventive devices are in place. Shut off the pressure and power source, and make sure no pressure exists in the air and hydraulic circuits.
- Make sure there is no trouble/issue in the bolts and respective parts before restarting.

2) Never touch terminals while the power is on.

- It will cause electric shock, malfunction and damage to the auto switches.

3) Retightening of Mounting Screws

- Retighten the screws after adjusting the mounting position when the mounting position of the auto switches is shifted due to the looseness of the mounting screws.

4) Check if the electric cable is damaged or not.

- Damaged cables may cause insulation failure. Exchange the auto switch or repair the reed if there is damage on the electric cable.

5) Check the setting position of the detector.

- Confirm the set position is stopped at the center of the detecting range (the area that red LED illuminates).

6) Cleaning Auto Switches

- The auto switch should be clean. Do not use benzene, paint thinner or alcohol for cleaning. Doing so will cause scratches on the product and indications may be erased. If it is hard to remove stains from the product, wipe it out with a cloth soaked in a neutral detergent diluted with water. Wipe with a dry cloth to remove wet residue.

7) Product Storage

- Keep the product out of direct sunlight in a cool area where it is protected from water and humidity.

8) Please contact us for auto switch replacements.

Hand
Auto Switch

Cautions
and Others

Robotic Hand
Wide Angular Hand

WPE

Robotic Hand
Parallel Hand

WPF

Robotic Hand
Angular Hand

WPJ

Auto Switch
Proximity Switch

JEP

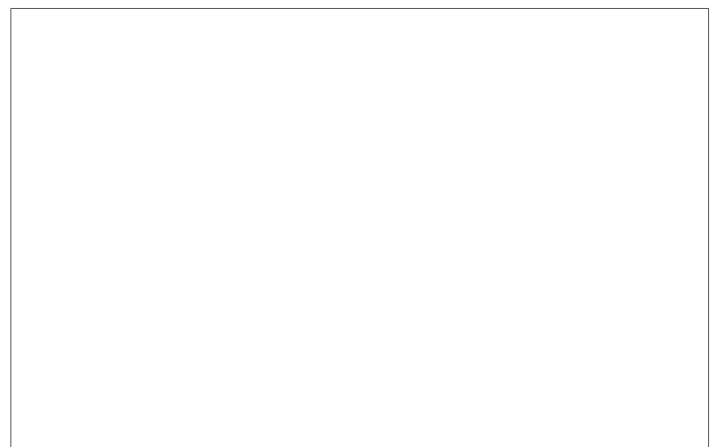


KOSMEK LTD.

▶ <http://www.kosmek.com/>

HEAD OFFICE 1-5, 2-chome, Murotani, Nishi-ku, Kobe-city, Hyogo, Japan 651-2241
TEL.+81-78-991-5162 FAX.+81-78-991-8787

United States of America SUBSIDIARY	KOSMEK (USA) LTD. 650 Springer Drive, Lombard, IL 60148 USA TEL. +1-630-620-7650 FAX. +1-630-620-9015
MEXICO REPRESENTATIVE OFFICE	KOSMEK USA Mexico Office Av. Santa Fe #103 int 59 Col. Santa Fe Juriquilla C.P. 76230 Queretaro, Qro Mexico TEL. +52-442-161-2347
EUROPE SUBSIDIARY	KOSMEK EUROPE GmbH Schleppeplatz 2 9020 Klagenfurt am Wörthersee Austria TEL. +43-463-287587 FAX. +43-463-287587-20
CHINA SUBSIDIARY	KOSMEK (CHINA) LTD. Room601, RIVERSIDE PYRAMID No.55, Lane21, Pusan Rd, Pudong Shanghai 200125, China TEL. +86-21-54253000
INDIA BRANCH OFFICE	KOSMEK LTD. - INDIA F 203, Level-2, First Floor, Prestige Center Point, Cunningham Road, Bangalore -560052 India TEL.+91-9880561695
THAILAND REPRESENTATIVE OFFICE	KOSMEK Thailand Representation Office 67 Soi 58, RAMA 9 Rd., Suanluang, Suanluang, Bangkok 10250, Thailand TEL. +66-2-300-5132 FAX. +66-2-300-5133



- For Further Information on Unlisted Specifications and Sizes, Please call us.
- Specifications in this Leaflet are Subject to Change without Notice.

