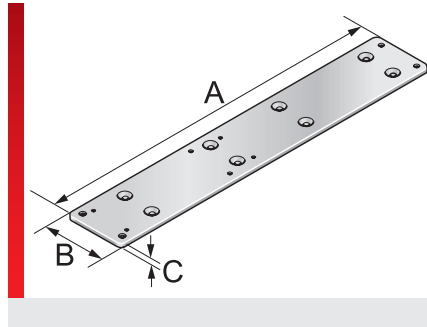
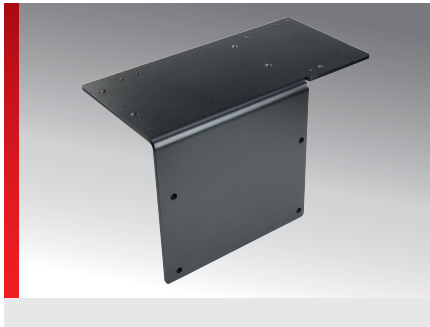


## System plate for R-Tec Box



R-Tec Box

### PRODUCT INFORMATION

System plate for mounting a R-Tec Box on axis 3. Adjusted to production series of various manufacturers.

The listed system plates are examples only. Contact us for the proper size for you.

### SPECIFICATIONS

 Powder coated Sheet steel

   Made in Germany

Article	Order No.	Color	A mm	B mm	C mm	PU pcs.
<b>Kuka</b>						
A3 Kuka KR6 base plate <sup>1)</sup>	83692751	Black	295.00	50.00	32.00	
No stock goods, delivery time and minimum order quantities upon request						
Kuka KR16 base plate <sup>2)</sup>	83692750	Black	420.00	90.00	5.00	1
Kuka KR16 L base plate <sup>3)</sup>	83692777	Black	465.00	115.00	6.00	1
Kuka KR30 - KR60 base plate <sup>2)</sup>	83692757	Black	465.00	114.00	6.00	1
Kuka KR30 - KR60 L base plate <sup>4)</sup>	83692776	Black	760.00	160.00	8.00	1
Kuka Quantec/Series 2000 base plate <sup>4)</sup>	83692620	Black	760.00	130.00	8.00	1
base plate Kuka KR1000 Titan-F <sup>4)</sup>	83692785	Black	760.00	130.00	8.00	1
<b>ABB</b>						
Base plate ABB IRB series 1600 <sup>2)</sup>	83692762	Black	310.00	183.00	6.00	1
ABB IRB 2400 base plate <sup>3)</sup>	83692780	Black	350.00	155.00	6.00	1
Base plate ABB IRB series -1.85 <sup>3)</sup>	83692763	Black	331.00	180.00	6.00	1
ABB IRB 4400-60 base plate <sup>3)</sup>	83692779	Black	350.00	200.00	6.00	1
Base plate ABB series 4600 <sup>4)</sup>	83692625	Black	770.00	153.00	5.00	1
Base plate ABB series 6400 <sup>5)</sup>	83692623	Black	450.00	228.00	8.00	1
ABB 6600/6640/6650/6700 series base plate <sup>4)</sup>	83692622	Black	500.00	140.00	6.00	1
Base plate ABB IRB series 6620 <sup>4)</sup>	83692627	Black	500.00	140.00	6.00	1
R-Tec Box, ABB IRB 6640 base plate <sup>4)</sup>	82390028	Black	500.00	120.00	6.00	1
Base plate ABB IRB series 7600 <sup>4)</sup>	83692764	Black	325.00	130.00	8.00	1
<b>Fanuc</b>						
R-Tec Box Fanuc M710 base plate <sup>3)</sup>	82390043	Black	361.50	242.00	6.00	1
Fanuc M-900 base plate <sup>4)</sup>	83692755	Black	350.00	130.00	6.00	1
Fanuc M-900iA350/600 base plate <sup>4)</sup>	83692624	Black	390.00	120.00	8.00	1
Base plate Fanuc series 2000 iA/iB/iC <sup>4)</sup>	83692621	Black	347.00	140.00	6.00	1

## System plate for R-Tec Box

Article	Order No.	Color	A mm	B mm	C mm	PU pcs.
Base plate Fanuc R-2000iC 210L <sup>6)</sup>	83692797	Black	351.00	130.00	6.00	1
<b>Yaskawa Motoman</b>						
Motoman HD20 base plate <sup>2)</sup>	83692761	Black	300.00	90.00	5.00	1
Motoman MH50 base plate <sup>7)</sup>	83692628	Black	660.00	120.00	8.00	1
Motoman MH50-2 base plate <sup>3)</sup>	83692778	Black	410.00	180.00	8.00	1
Motoman MH50-35 base plate <sup>4)</sup>	83692772	Black	660.00	130.00	8.00	1
Motoman MS165, MH165 base plate <sup>4)</sup>	83692629	Black	770.00	160.00	6.00	1
Motoman MH400 - MH600 base plate <sup>4)</sup>	83697002	Black	770.00	160.00	6.00	1
<b>Kawasaki</b>						
Base plate Kawasaki RS80N <sup>7)</sup>	83692747	Black	660.00	120.00	8.00	1
<b>Comau</b>						
Baseplate A3 Comau NJ220 <sup>4)</sup>	83692793	Black	370.00	240.00	8.00	1
1) suitable for 21/29 retraction system						
2) suitable for R-Tec Box-S 29/36						
3) suitable for R-Tec Box-S 29/36 & R-Tec Box 36/48						
4) suitable for R-Tec Box M40/M50, R-Tec Box 56/70, R-Tec Liner 56/70 and R-Tec Liner 80/95						
5) suitable for R-Tec Box 56/70, R-Tec Liner 56/70 and R-Tec Liner 80/95						
6) suitable for R-Tec Box-S M32/M40, R-Tec Box M40/M50, R-Tec Box 56/70, R-Tec Liner 56/70 and R-Tec Liner 80/95						
7) suitable for R-Tec Box M40/M50						

## MATERIAL PROPERTIES

**Material**

Powder coated Sheet steel

## CONFORMITY

**RoHS (EC Directive 2011/65/EU)**

## APPROVALS AND OPERATING PERMITS

**ROBI approval**

## GENERAL INFORMATION

**Made in Germany**

## System plate for R-Tec Box

All details given in our sales brochures and catalogues, as well as the information available online, are based on our current knowledge of the products described.

The electronic data and files made available by Murrplastik, particularly CAD files are based on our current knowledge of the product described.

A legally binding assurance of certain properties or the suitability for a certain purpose can not be determined from this information.

All information with respect to the chemical and physical properties of Murrplastik products, as well as application advice given verbally, in writing or by tests, is given to the best of our knowledge.

They do not release the buyer from the obligation to carry out his own tests and trials in order to determine the concrete suitability of the products for the intended purpose.

Murrplastik accepts no responsibility for the available information being up-to-date, correct or complete. Neither do we accept responsibility for the quality of this information.

Murrplastik accepts no liability for damage caused as a result of using our products.

Murrplastik reserves the right to make technical changes and improvements through constant further development of products and services.

Our General Terms and Conditions apply.

© Murrplastik Systemtechnik GmbH • proID\_96449~20220721~890283~aur\_tecb\_sp