

MICO ELEC AUX CIRCUIT, 2 CHANNELS

IN: 24VDC OUT: 24V/1-2-4-6ADC

MICO 2.6

2 channels

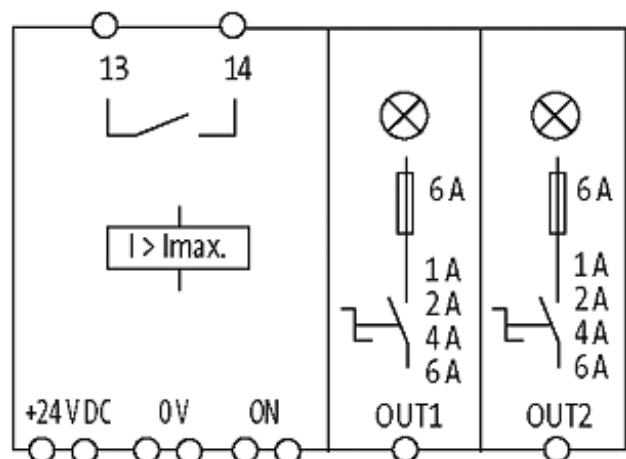
Current adjustment 1, 2, 4, 6 A

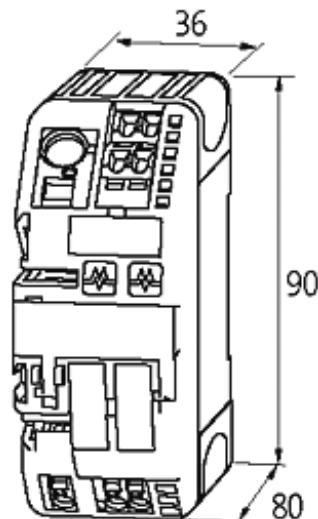
Fire protection (EN 60950-1) Operating voltage protection (EN 61131-2)



Click to shop online @ www.trimantec.com or call 336-767-1379

Illustration





Product may differ from Image

Approvals



Input

Operating voltage 24 V DC (18...30 V DC)

Control inputs

Input voltage (ON) 10...30 V DC

Impulse length (ON) min. 20 ms

Control outputs

Group alarm output potential free 30 V AC/DC, 100 mA

General data

Connection	Spring clamp terminals
Input terminals	1 × 16 mm ²
Output terminals	per output 1 × 4 mm ²
Alarm terminals	2.5 mm ²
Bridging concept	one side, with spring clamp terminals or bridge set (max. 40 A)
Mounting method	DIN-rail mountable TH35 (EN 60715)
Dimensions H × W × D	90×36×80 mm
Temperature range	0...+55 °C (storage temperature -40...+80 °C)

Output

Current adjustment 1 A, 2 A, 4 A, 6 A, by countersunk rotary switch, sealed

Inrush capacity max. 20 mF (per channel)

Commercial data

country of origin CZ

customs tariff number	85363010
EAN	4048879000031
eClass	27141901
minimum order quantity	1