

MTL 1-PHASE SAFETY TRANSFORMER

P: 100VA IN: 230/400VAC +/- 15VAC OUT: 2x24VAC

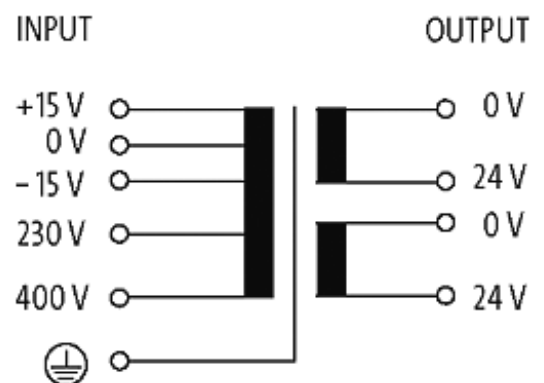
100 VA

Isolation class T 60/B

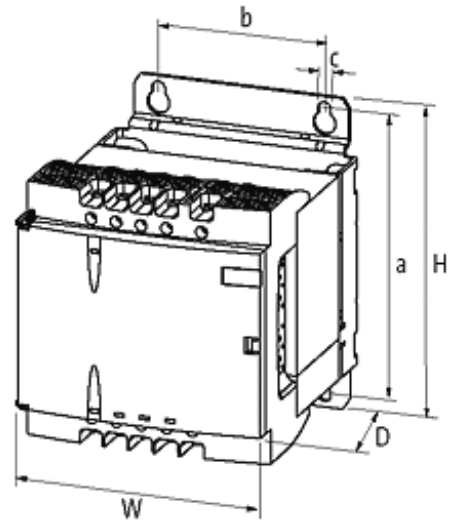


Click to shop online @ www.trimantec.com or call 336-767-1379

Illustration



stay connected



Product may differ from Image

Approvals



Input

Input voltage	230/400 ±15 V AC
Input current	0.52 A (230 V AC); 0.3 A (400 V AC)
Inrush current	5.4 A (230 V AC); 3.12 A (400 V AC)
Short-circuit current	10 A (230 V AC); 5.77 A (400 V AC)
Frequency	50...60 Hz

Technical Data

LED display	LED (green) for input voltage
-------------	-------------------------------

General data

Test isolation voltage	5.1 kV (prim./sec.)
Standards	EN 61558-2-4, EN 61558-2-6, EN 62041 category 0
Drill hole Ø	5.5×9 mm
Mounting method	DIN-rail mountable TH35-15 (EN 60715) or for key-hole mounting
Fixing centers a × b × c	96×60×5.5 mm
Dimensions H × W × D	108×87×139 mm
Temperature range	-20...+60 °C, no condensation

Output

Output voltage	1 × 24, 1 × 48, 2 × 24 V AC
Output rating	100 VA

Commercial data

country of origin	CZ
customs tariff number	85043180

The information in this brochure has been compiled with the utmost care.

Liability for the correctness completeness and topicality of the information is restricted to gross negligence. Version: 07/17

Murrelektronik GmbH | Falkenstraße 3 | 71570 Oppenweiler | Fon +49 (71 91) 47-0 | Fax +49 (71 91) 47-491000 | shop@murrelektronik.com | shop.murrelektronik.com

EAN	4048879078320
eClass	27031302
minimum order quantity	1