

## MET 1-PHASE CONTROL AND ISOLATION TRANSFORMER

P: 500VA IN: 230VAC+/- 5% OUT: 230VAC

Single-phase - Control and Isolation Transformers

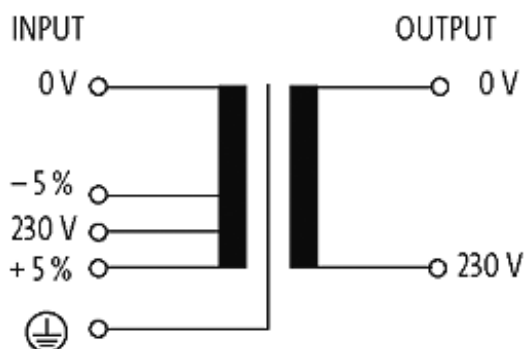
500 VA

Isolation class T 60/B

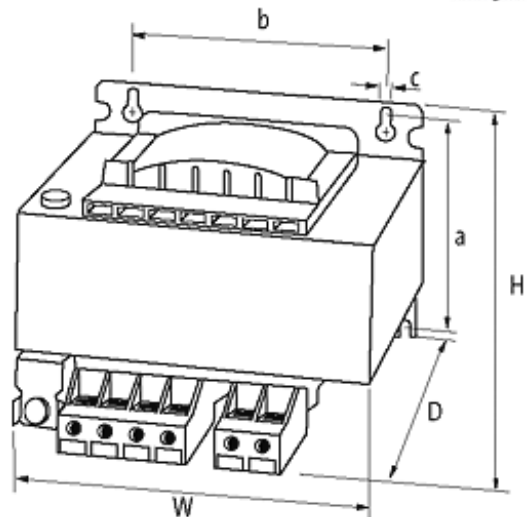


Click to shop online @ [www.trimantec.com](http://www.trimantec.com) or call 336-767-1379

### Illustration



stay connected



Product may differ from Image

### Approvals



### Input

Input voltage	230 V AC $\pm 5\%$
Frequency	50...60 Hz
Short-circuit current	75.1 A (230 V AC)
Input current	2.3 A (230 V AC)
Inrush current	35.2 A (230 V AC)

### General data

Standards	EN 61558-1, EN 61558-2-4, EN 62041 category 0
Test isolation voltage	4 kV (prim./sec.)
Mounting method	Key-hole mounting
Dimensions H x W x D	112.6x150x146 mm
Fixing centers a x b x c	90x122x7 mm
Drill hole $\emptyset$	7x11 mm
Temperature range	-20...+60 °C (storage temperature -40...+80 °C)

### Output

Output voltage	230 V AC
Output rating	500 VA

### Commercial data

country of origin	CZ
customs tariff number	85043180
EAN	4048879079051
eClass	27031302

minimum order quantity

1