

NG 10 RECTIFIER UNIT 1-PHASE

IN: 29VAC OUT: 24V/10A

Rectifiers, single phase

INPUT: 29 V AC

OUTPUT: 24 V DC

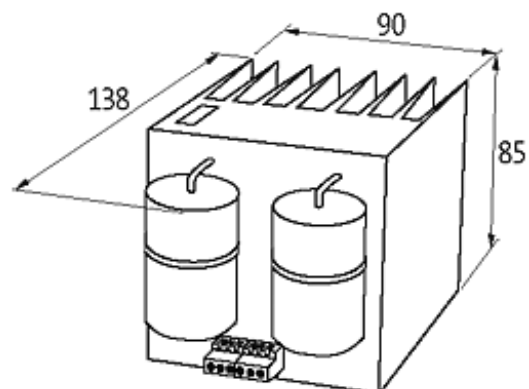
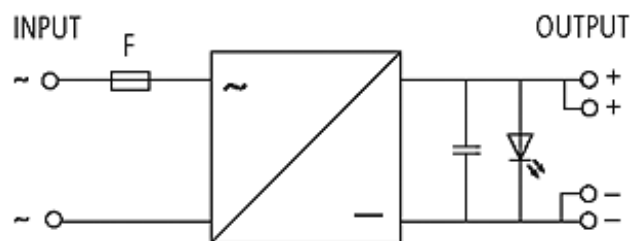
Output rating: 240 W

Current: max. 10 A



Click to shop online @ www.trimantec.com or call 336-767-1379

Illustration



Product may differ from Image

Input

Input voltage	29 V AC
Input current	max. 10 A
Frequency	50...60 Hz (or as additional smoothing for DC)
Input fuse (external)	16 A (T), 5 × 20 mm

General data

Mounting method	DIN-rail mountable TH35 (EN 60715)
Temperature range	-20...+60 °C

Output

Output voltage	U-IN × 1.16/39 V DC
Output current	max. 10 A
Ripple	max. 5 %rms
Output filter	smoothed with smoothing capacitor and LED

Commercial data

country of origin	CZ
customs tariff number	85044082
EAN	4048879079471
minimum order quantity	1