

Emparro Power Supply 3-PHASE

IN: 360 - 500VAC OUT: 24-28V/20ADC

INPUT: 3 × 324...572 V AC / 450...745 V DC

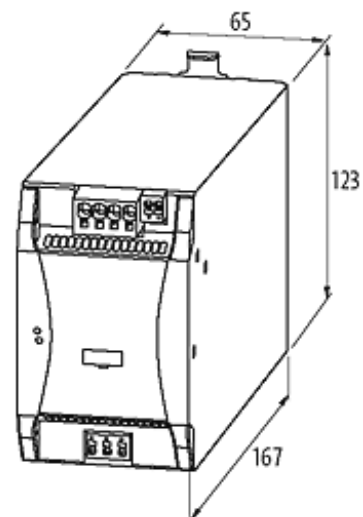
OUTPUT: 24...28 V DC

Current: 20 A



Click to shop online @ www.trimantec.com or call 336-767-1379

Illustration



Product may differ from Image

Approvals



Input

Input voltage	3 × 324...572 V AC/450...745 V DC
Input current	1.3 A (3 × 360 V AC); 1.0 A (3 × 500 V AC)
Inrush current after 1 ms	max. 13 A
Power factor	0.65 (3 × 500 V AC)
Frequency	50...60 Hz
Input fuse (internal)	3 × 6.3 A (T)

General data

Standards	EN 60950-1, EN 61204-3, EN 55011 B, EN 61000-3-2, SEMI F47
Relative humidity	5...95%, no condensation
Efficiency	94.8% (3 × 400 V AC); 94.5% (3 × 480 V AC)
Mounting method	DIN-rail mountable TH35 (EN 60715)
Dimensions H × W × D	143×65×167 mm
Temperature range	-40...+70 °C, ...+70 °C derating (storage temperature -40...+85 °C)

Output

Output voltage	24 V DC (SELV), ±1%; 24...28 V adjustable
Power Boost	I _{out} N × 150% (min. 5 s)
Output current	15 A (70 °C); 20 A (60 °C); 24 A (45 °C)
Mains failure bridging time	min. 40 ms (3 × 500 V AC)
Ripple	max. 20 mV _{rms}
Spikes	max. 90 mV p-p
Unit protection	short circuit and overload protected, permanently by 20% (to 45 °C)
LED display	LED (green): OK; LED (red): overload, overheating or short-circuit
Parallel usage/serial usage	max. 3 units

Commercial data

country of origin	CH
customs tariff number	85044090
EAN	4048879538633
minimum order quantity	1