

## MB CAP ULTRA BUFFER MODULE

IN: 12/24VDC OUT: 12/24VDC/10A for max. 1A/380S

INPUT: 24 V DC (SELV/PELV)

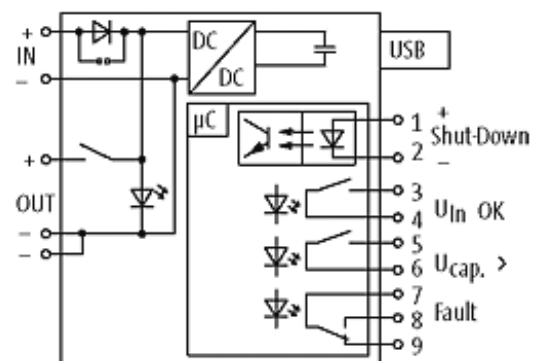
OUTPUT: max. 10 A

Buffer time: 38 s

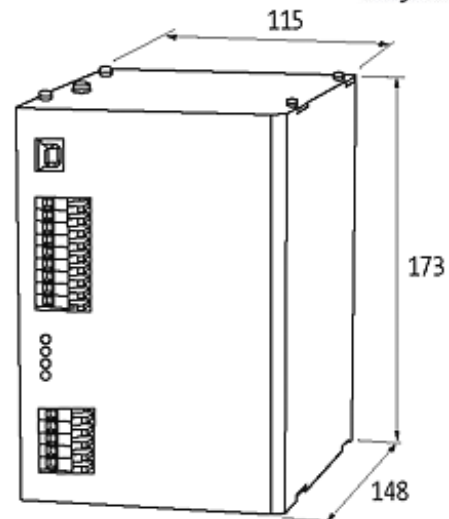


Click to shop online @ [www.trimantec.com](http://www.trimantec.com) or call 336-767-1379

### Illustration



stay connected



Product may differ from Image

### Approvals



### Input

Input voltage	10.5...15 V DC; 24...27 V DC
Input current	10 A
Inrush current	max. 35 A/2 ms
Loading time	typ. 100 s; max. 210 s

### General data

Standards	EN 60950, EN 50178, SELV/PELV
Mounting method	DIN-rail mountable TH35-7.5/TH35-15 (EN 60715)
Efficiency	90%
Temperature range	-20...+60 °C (storage temperature -20...+60 °C)

### Output

Output voltage	11.3 V DC $\pm 4\%$ ; 23.3 V DC $\pm 2\%$
Output current	max. 10 A (+60 °C)
Buffer time	38 s (10 A); 380 s (1 A)

### Commercial data

country of origin	DE
customs tariff number	85322900
EAN	4048879079785
eClass	27049190
minimum order quantity	1