

MPS POWER SUPPLY 3-PHASE,

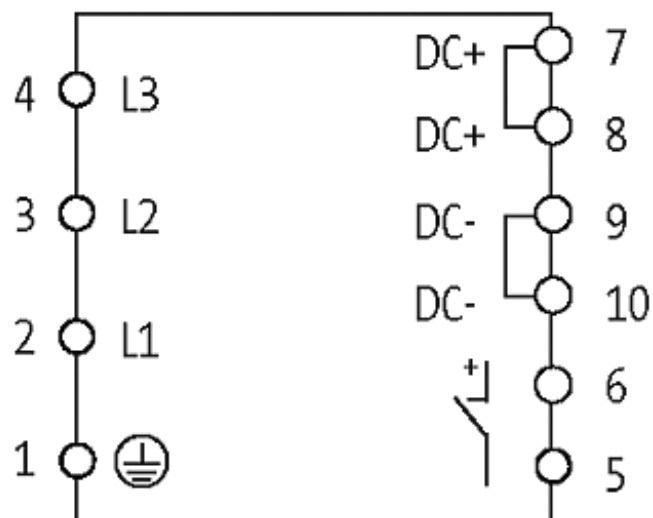
IN: 360-550VAC OUT: 22-28V/40ADC

INPUT: 3 × 360...550 V AC

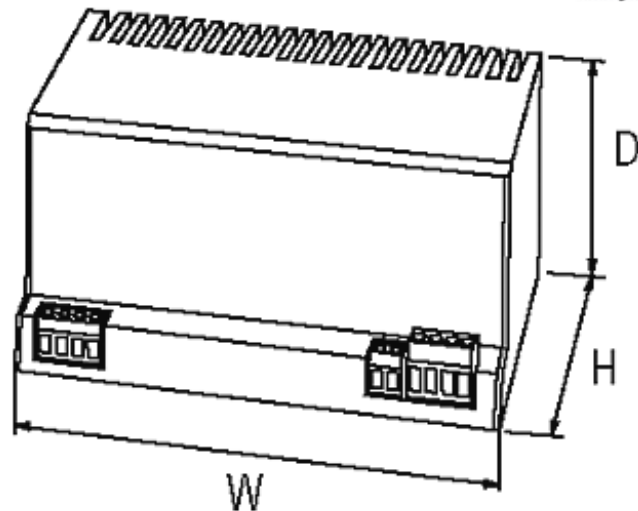
OUTPUT: 22...28 V DC

Current: 40 A

Wide voltage input Units decoupling through diode block at parallel usage.

Click to shop online @ www.trimantec.com or call 336-767-1379**Illustration**

stay connected



Product may differ from Image

Approvals



Input

Primary fusing external	max. 10 A
Frequency	50...60 Hz
Input voltage	3 × 360...550 V AC
Input current	3 × 1.7 A

General data

Standards	EN 60950-1, EN 61204-3, EN 55022 B
Mounting method	can be snapped on rail included
Efficiency	91%
Relative humidity	30...90 %, no condensation
Dimensions H × W × D	193×282×132 mm
Temperature range	0...+60 °C (storage temperature -25...+85 °C)

Output

Output voltage	24 V DC (SELV), ±1%; 22...28 V adjustable
Output current	40 A (+60 °C); 48 A (+40 °C)
Mains failure bridging time	min. 3 ms (400 V AC)
Ripple	max. 20 mVrms
Unit protection	short-circuit and overload protected
Spikes	max. 100 mV p-p
Phase monitoring	Switching off during 2-phase operation
LED display	LED (green): in operation; LED (red): off; LED (yellow): pre-warning when overheated or overloaded
Parallel usage/serial usage	yes/yes

The information in this brochure has been compiled with the utmost care.

Liability for the correctness completeness and topicality of the information is restricted to gross negligence. Version: 07/17

Murrelektronik GmbH | Falkenstraße 3 | 71570 Oppenweiler | Fon +49 (71 91) 47-0 | Fax +49 (71 91) 47-491000 | shop@murrelektronik.com | shop.murrelektronik.com

Commercial data

country of origin	CZ
customs tariff number	85044090
EAN	4048879080590
eClass	27049002
minimum order quantity	1