

## MPS POWER SUPPLY 1-PHASE,

IN: 185-265VAC OUT: 22-28V/20ADC

INPUT: 185...265 V AC

OUTPUT: 22...28 V DC

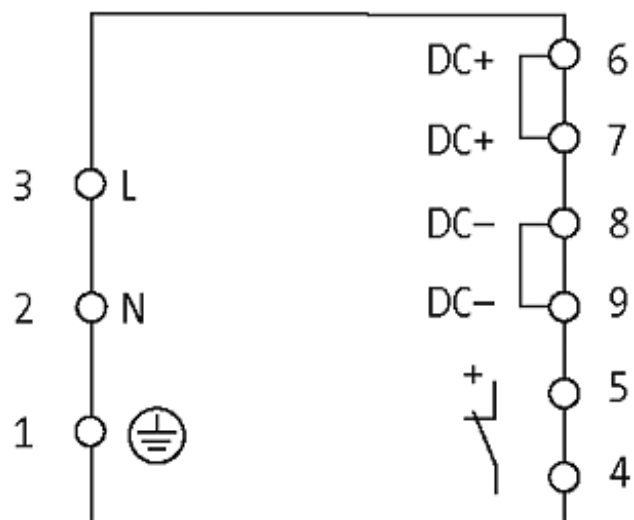
Current: 20 A

Single-phase, primary switched Protection IP20 Units decoupling through diode block at parallel usage.

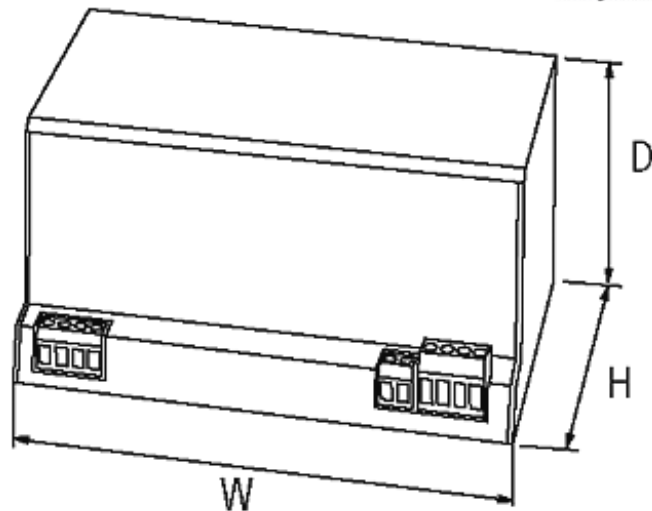


Click to shop online @ [www.trimantec.com](http://www.trimantec.com) or call 336-767-1379

### Illustration



stay connected



Product may differ from Image

### Approvals



### Input

Input voltage	185...265 V AC
Primary fusing external	max. 16 A
Frequency	50...60 Hz
Input current	4 A

### General data

Standards	EN 60950-1, EN 61204-3, EN 55022 B
Mounting method	DIN-rail mountable TH35 (EN 60715), additional plate for screw mounting Art.-No. 89500
Efficiency	90%
Relative humidity	5...95%, no condensation
Dimensions H x W x D	132x243x123 mm
Temperature range	0...+60 °C (storage temperature -25...+85 °C)

### Output

Output voltage	24 V DC (SELV), $\pm 1\%$ ; 22...28 V adjustable
Output current	20 A (+60 °C); 24 A (+40 °C)
Mains failure bridging time	min. 10 ms (230 V AC)
Ripple	max. 20 mVrms
Spikes	max. 100 mV p-p
Unit protection	short-circuit and overload protected
LED display	LED (green): in operation; LED (red): off; LED (yellow): pre-warning when overheated or overloaded
Parallel usage/serial usage	yes/yes

The information in this brochure has been compiled with the utmost care.

Liability for the correctness completeness and topicality of the information is restricted to gross negligence. Version: 07/17

Murrelektronik GmbH | Falkenstraße 3 | 71570 Oppenweiler | Fon +49 (71 91) 47-0 | Fax +49 (71 91) 47-491000 | shop@murrelektronik.com | shop.murrelektronik.com

