

CAP FOR D-BOX M124-WAY 4 POLE

No pot.-sep.20m PUR/PVC, 4X0.34+3X0.75

for 4-way distribution box, 4-pole
20.0 m

Further cable lengths on request. Plastic housings with good resistance against chemicals and oils. The resistance to aggressive media should be individually tested for your application. Further details on request.

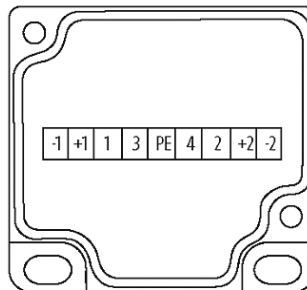
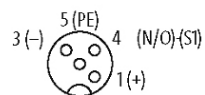


Click to shop online @ www.trimantec.com or call 336-767-1379

Illustration

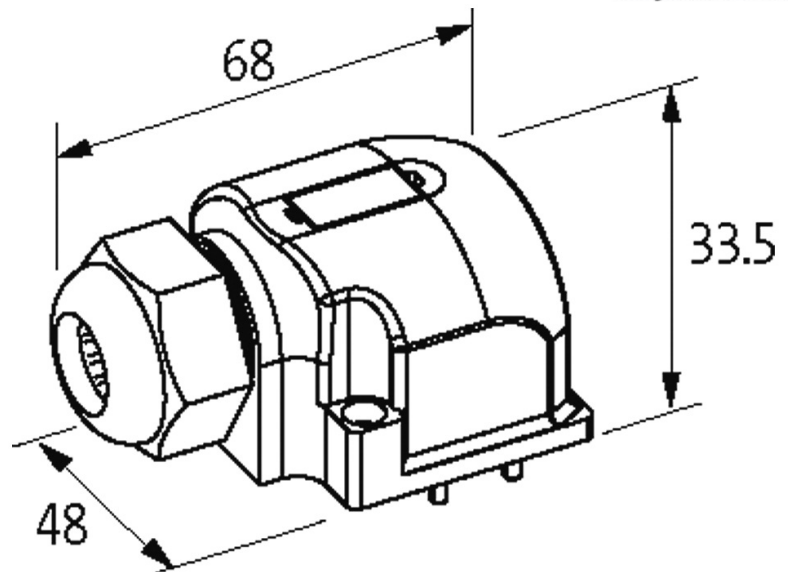


M12-Females 4-pole



for 1 signal per port

stay connected



Product may differ from Image

Cables

Cable number	333
No./diameter of wires	4×0.34 + 3×0.75 mm ²
Wire isolation	PVC
C-track properties	2 Mio.
Jacket Color	gray
Material (jacket)	PUR/PVC
Outer Ø	approx. 8.5 mm
Bend radius (fixed)	10 × outer Ø
Bend radius (moving)	12 × outer Ø
Temperature range (fixed)	-30...+80 °C
Temperature range (mobile)	-5...+80 °C

Technical Data

Housing	Plastic, flame retardant
Total current	max. 8 A

General data

Temperature range	-20...+80 °C, depending on cable quality
-------------------	--

Commercial data

country of origin	CZ
customs tariff number	85444290
EAN	4048879055888
eClass	27143423
minimum order quantity	1