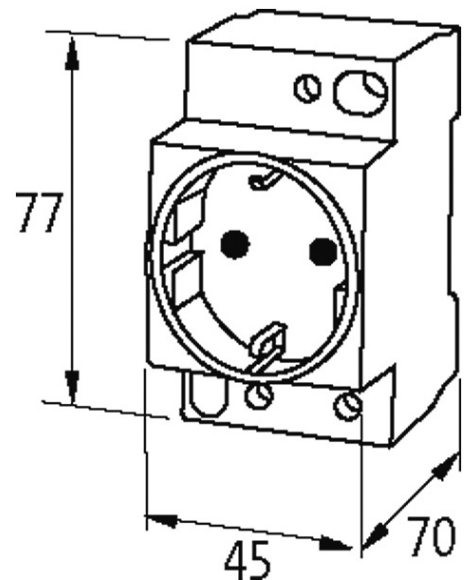


MSVD POWER SOCKET VDE

Mounting rail

Germany (VDE) white
Screw terminalsClick to shop online @ www.trimantec.com or call 336-767-1379**Illustration**

Product may differ from Image

Approvals

VDE

General data

Dimensions H x W x D	77x45x70 mm
----------------------	-------------

Germany (VDE)

Operating voltage	250 V AC
-------------------	----------

Operating current	16 A
-------------------	------

No. of poles	2 + PE
--------------	--------

Connection	Screw terminals: max. 2 x 6 mm ² (AWG 10)
------------	--

Mounting method	DIN-rail mountable (EN 60715)
-----------------	-------------------------------

Commercial data

country of origin	BE
-------------------	----

customs tariff number	85366990
-----------------------	----------

EAN	4048879041447
-----	---------------

eClass	27144042
--------	----------

minimum order quantity	1
------------------------	---