

MST 1-PHASE CONTROL AND ISOLATION TRANSFORMER

P: 630VA IN: 230/400VAC OUT: 230VAC

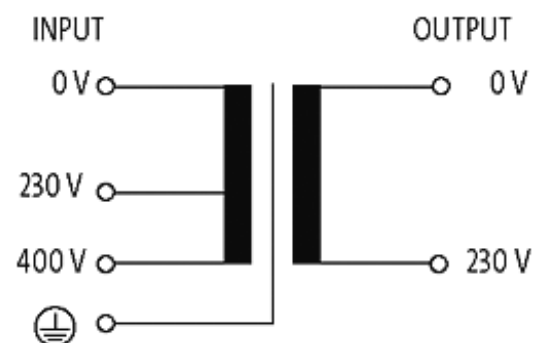
Single-phase - Control and Isolation Transformers
 630 VA
 Spring clamp terminals
 Isolation class T 40/B

Other voltages on request.

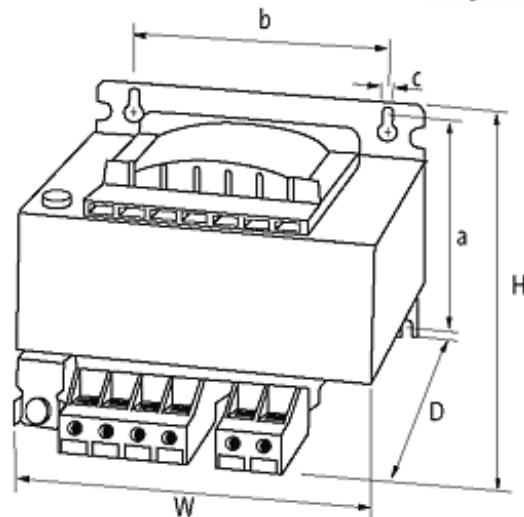


Click to shop online @ www.trimantec.com or call 336-767-1379

Illustration



stay connected



Product may differ from Image

Approvals



Input

Input voltage	230/400 V AC
Frequency	50...60 Hz
Input current	2.95 A (230 V AC); 1.7 A (400 V AC)
Inrush current	37 A (230 V AC); 21 A (400 V AC)
Short-circuit current	77 A (230 V AC); 44 A (400 V AC)

General data

Standards	EN 61558-1, EN 61558-2-4, EN 62041 category 0
Test isolation voltage	4 kV (prim./sec.)
Mounting method	Key-hole mounting
Temperature range	-20...+40 °C (storage temperature -40...+80 °C)
Dimensions H x W x D	112.5x150x144.6 mm
Fixing centers a x b x c	90.6x122x7 mm
Drill hole Ø	7x11 mm

Output

Output voltage	230 V AC
Output rating	630 VA

Commercial data

country of origin	CZ
customs tariff number	85043180
EAN	4048879066211
eClass	27031302

The information in this brochure has been compiled with the utmost care.

Liability for the correctness completeness and topicality of the information is restricted to gross negligence. Version: 07/17

Murrelektronik GmbH | Falkenstraße 3 | 71570 Oppenweiler | Fon +49 (71 91) 47-0 | Fax +49 (71 91) 47-491000 | shop@murrelektronik.com | shop.murrelektronik.com

minimum order quantity

1