

IMPACT20 CANOPEN, DIGITAL OUTPUT MODULE

16 digital outputs

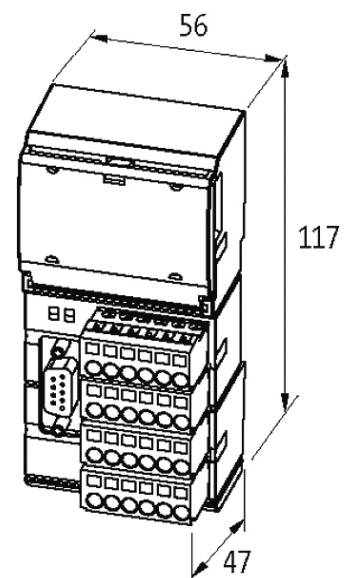
Digital outputs
DO16 - 0.5 A

Housings potted on the back



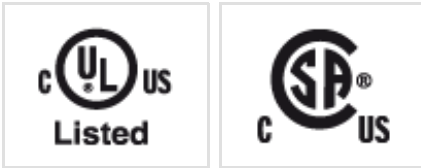
Click to shop online @ www.trimantec.com or call 336-767-1379

Illustration



Product may differ from Image

Approvals



More Info



Connections

| | |
|-------------------------------|---|
| Fieldbus | SUB-D9 |
| Sensor-system/actuator supply | 6 × spring clamp plug-in terminals, max. 2.5 mm ² (max. 12 A) |
| I/O ports | 18 × spring clamp plug-in terminals, max. 2.5 mm ² (max. 12 A) |

Fieldbus

| | |
|-------------------|----------------------------------|
| Operating voltage | 24 V DC (EN 61131-2) |
| Operating modes | Polling; change of state; Cyclic |
| Transfer rate | max. 1 Mbit/s |
| Addressing | Rotary switch 1...99 |

General data

| | |
|----------------------|---|
| Protection | IP20 |
| Mounting method | DIN-rail mountable (EN 60715) |
| Temperature range | 0...+55 °C (storage temperature -20...+70 °C) |
| Dimensions H × W × D | 117×56×47 mm |

Output

| | |
|------------------------------|---|
| Switching current per output | max. 0.5 A (short-circuit and overload protected) |
| Total current | max. 8 A |

Diagnostic

| | |
|----------------------------|------------------------|
| Communication status | via LED |
| Diagnostic via LED | per module and channel |
| Diagnostic via BUS | per module and channel |
| Monitoring - under voltage | yes |
| Monitoring - no voltage | yes |
| Short circuit and overload | yes |

Commercial data

| | |
|------------------------|---------------|
| country of origin | DE |
| customs tariff number | 85389099 |
| EAN | 4048879048057 |
| minimum order quantity | 1 |