

CUBE67 I/O COMPACT MODULE

8 multifunction channels

Compact module

DIO8 - 0.5 A (C) 8×M8

short-circuit and overload protected

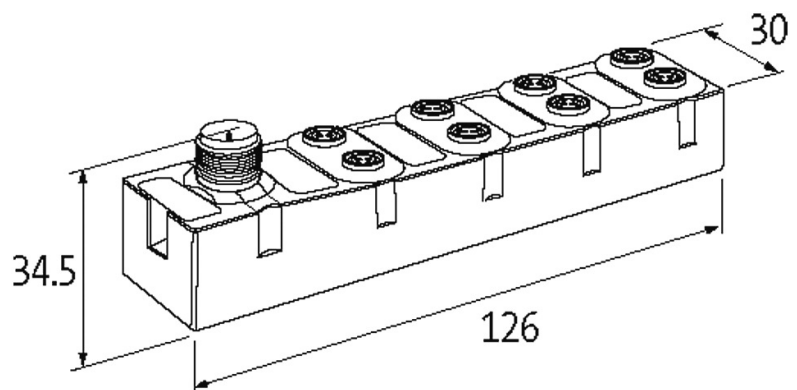
Digital inputs/outputs (multifunctional)

Housing fully potted.



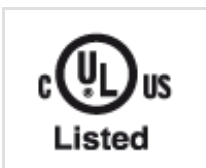
Click to shop online @ www.trimantec.com or call 336-767-1379

Illustration



Product may differ from Image

Approvals



Input

Sensor supply US

24 V DC (EN 61131-2), max. 200 mA (M8 female), short-circuit and

sensor supply UB	overload protected
Type	for 3-wire sensors or mechanical switches, PNP
Input filter	1 ms
Internal communication	
Current consumption	max. 30 mA
LED display	US: sensor supply and internal supply voltage (green: OK); UA: actuator supply (green: OK)
Terminating resistor	integrated into the module
Connections	
Fieldbus	via internal system connection
Sensor-system/actuator supply	via internal system connection (max. 2×4 A)
I/O ports	M8 (female) 3-pole
General data	
Protection	IP67
Mounting method	2-hole screw mounting
Temperature range	0...+55 °C (storage temperature -20...+75 °C)
Dimensions H × W × D	126×30×34.5 mm
Output	
Actuator supply UA	24 V DC (EN 61131-2), via system connection (max. 4 A)
Switching current per output	max. 0.5 A (short-circuit and overload protected)
Lamp load	10 W
Parameterization	
PIN 4	Input/output
Diagnostic	
Communication status	via LED
Diagnostic via LED	per module and channel
Diagnostic via BUS	per module and channel
Monitoring - under voltage	yes
Monitoring - no voltage	yes
Short circuit and overload	yes
Actuator warning	per channel via LED and BUS
Commercial data	
country of origin	DE
customs tariff number	85389099
EAN	4048879048491
eClass	27242604
minimum order quantity	1