

CUBE67 I/O COMPACT MODULE

8 digital inputs

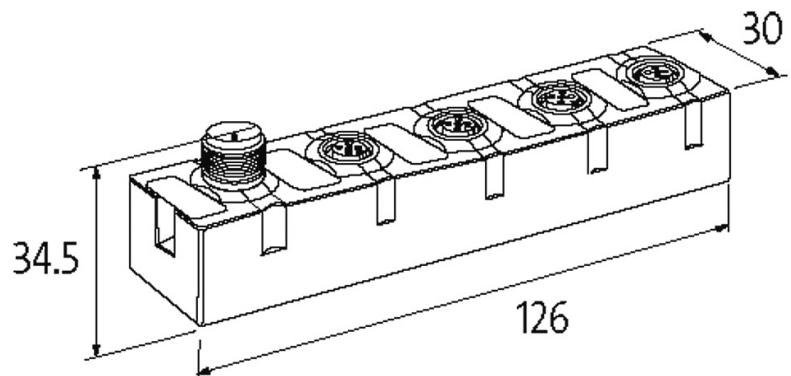
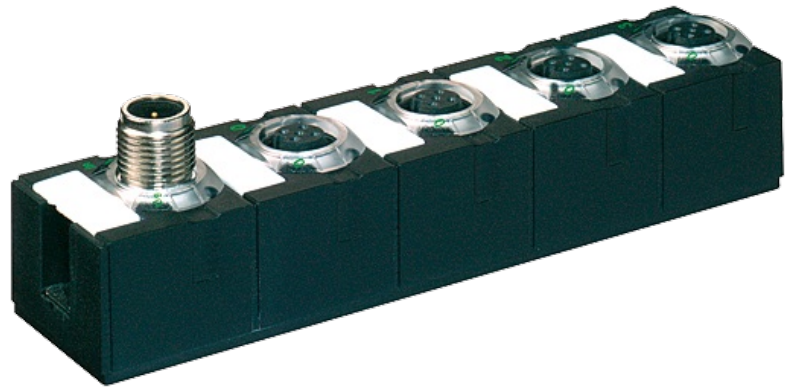
Compact module
DI8 (C) 4×M12

Housing fully potted.



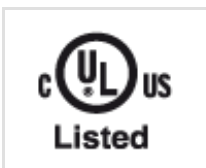
Click to shop online @ www.trimantec.com or call 336-767-1379

Illustration



Product may differ from Image

Approvals



Input

Sensor supply US	24 V DC (EN 61131-2), max. 200 mA (M12 female), short-circuit and overload protected
Type	for 3-wire sensors or mechanical switches, PNP

Input filter	1 ms
--------------	------

Internal communication

Current consumption	max. 50 mA
---------------------	------------

LED display	US: sensor supply and internal supply voltage (green: OK); UA: actuator supply (green: OK)
-------------	--------------------------------------------------------------------------------------------

Terminating resistor	integrated into the module
----------------------	----------------------------

Connections

Fieldbus	via internal system connection
----------	--------------------------------

Sensor-system/actuator supply	via internal system connection (max. 2×4 A)
-------------------------------	---------------------------------------------

I/O ports	M12 (female) 5-pole, A-coded
-----------	------------------------------

General data

Protection	IP67
------------	------

Mounting method	2-hole screw mounting
-----------------	-----------------------

Temperature range	0...+55 °C (storage temperature -20...+75 °C)
-------------------	-----------------------------------------------

Dimensions H × W × D	126×30×34.5 mm
----------------------	----------------

Parameterization

PIN 2	Input/diagnostic
-------	------------------

PIN 4	Input
-------	-------

Diagnostic

Communication status	via LED
----------------------	---------

Diagnostic via LED	per module and channel
--------------------	------------------------

Diagnostic via BUS	per module and channel
--------------------	------------------------

Monitoring - under voltage	yes
----------------------------	-----

Monitoring - no voltage	yes
-------------------------	-----

Short circuit and overload	yes
----------------------------	-----

Commercial data

country of origin	DE
-------------------	----

customs tariff number	85389099
-----------------------	----------

EAN	4048879048521
-----	---------------

eClass	27242604
--------	----------

minimum order quantity	1
------------------------	---