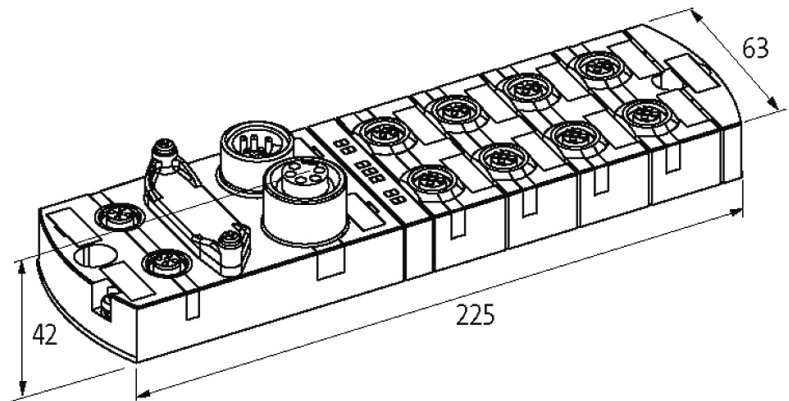


MVK-ME DIO8 (DIO8)

EthernetIP Compact module, metal

Digital inputs/outputs
DIO8 (DIO8)

Housing fully potted.

Click to shop online @ www.trimantec.com or call 336-767-1379**Illustration**

Product may differ from Image

Approvals**More Info**



Input

Sensor supply US	24 V DC (EN 61131-2), max. 200 mA (M12 female), short-circuit and overload protected
Type	for 3-wire sensors or mechanical switches, PNP

Connections

Fieldbus	M12, D-coded
Sensor-system/actuator supply	7/8", 5-pole, 2 × max. 9 A
I/O ports	M12, A-coded, 5-pole

Fieldbus

Operating voltage	24 V DC (EN 61131-2)
Operating modes	Autonegotiation/Auto MDI/MDI-X
Transfer rate	to 100 Mbit/s Full Duplex
Addressing	DHCP, BOOTP or IP address by rotary switch
Functions	ACD, DLR, PIN&Port based mapping

General data

Protection	IP67
Mounting method	2 hole screw mounting, compatible with I/O modules of MVK model range
Temperature range	-25...+55 °C (storage temperature -25...+70 °C)

Output

Switching current per output	max. 1.6 A (short-circuit and overload protected)
------------------------------	---

Diagnostic

Communication status	via LED
Diagnostic via LED	per module and channel
Diagnostic via BUS	per module and channel
Monitoring - under voltage	yes
Monitoring - no voltage	yes
Short circuit and overload	yes

Commercial data

country of origin	DE
customs tariff number	85389091
EAN	4048879445481
minimum order quantity	1