

IMPACT67 COMPACT MODULE, PLASTIC

CANopen, 16 dig In

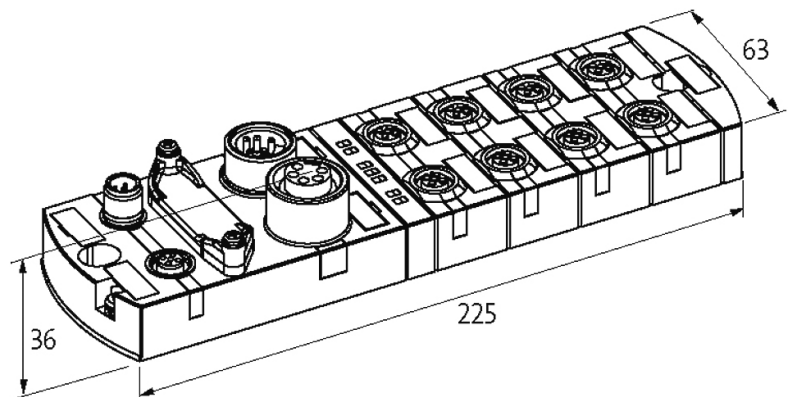
Digital inputs
DI16

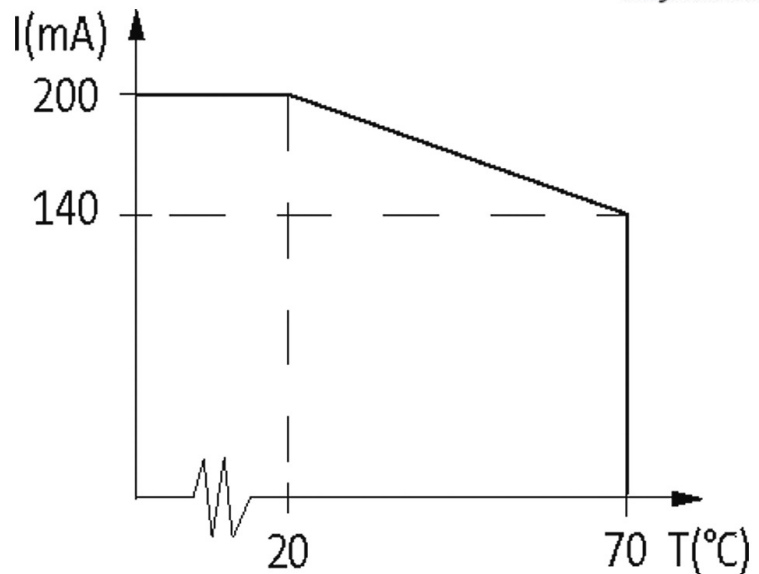
Housings potted on the back



Click to shop online @ www.trimantec.com or call 336-767-1379

Illustration





Product may differ from Image

Approvals



More Info



Input

Sensor supply US	24 V DC (EN 61131-2), max. 200 mA (M12 female), short-circuit and overload protected
Type	for 3-wire sensors or mechanical switches, PNP

Connections

Fieldbus	A-coded
Sensor-system/actuator supply	7/8", 5-pole, 2 × max. 9 A
I/O ports	M12, A-coded, 5-pole

Fieldbus

Operating voltage	24 V DC (EN 61131-2)
Operating modes	Polling; change of state; Cyclic
Transfer rate	max. 1 Mbit/s
Addressing	Rotary switch 1...99

General data

Protection	IP67
Mounting method	2 hole screw mounting, compatible with I/O modules of MVK

The information in this brochure has been compiled with the utmost care.

Liability for the correctness completeness and topicality of the information is restricted to gross negligence. Version: 06/17

Murrelektronik GmbH | Falkenstraße 3 | 71570 Oppenweiler | Fon +49 (71 91) 47-0 | Fax +49 (71 91) 47-491000 | shop@murrelektronik.com | shop.murrelektronik.com

mounting method	model range
Temperature range	-25...+70 °C (storage temperature -25...+70 °C)
Dimensions H x W x D	39x63x225 mm

Diagnostic

Communication status	via LED
Diagnostic via LED	per module and channel
Diagnostic via BUS	per module
Monitoring - under voltage	yes
Monitoring - no voltage	yes
Short circuit and overload	yes

Commercial data

country of origin	DE
customs tariff number	85389099
EAN	4048879052030
minimum order quantity	1