

## IMPACT67 COMPACT MODULE, PLASTIC

DeviceNet, 8 dig. In + 8 dig. Out

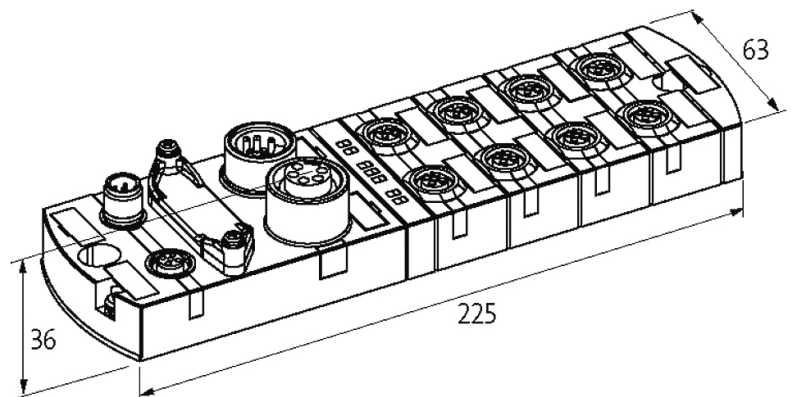
Digital inputs/outputs  
DI8/DO8 - 2 A

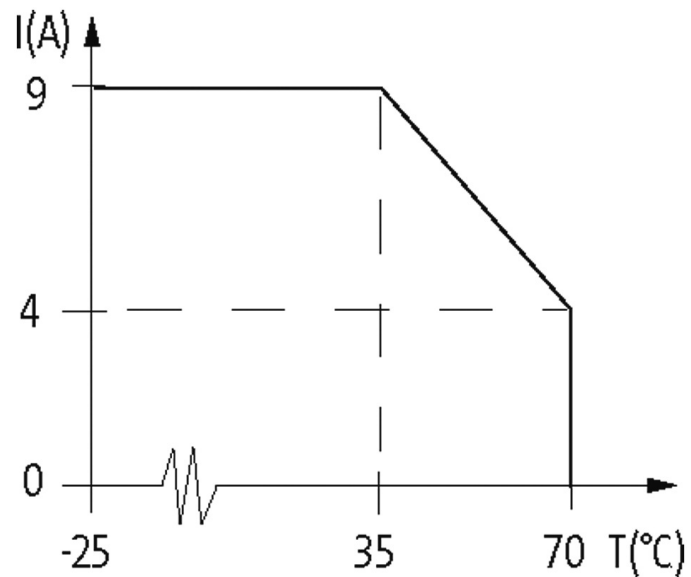
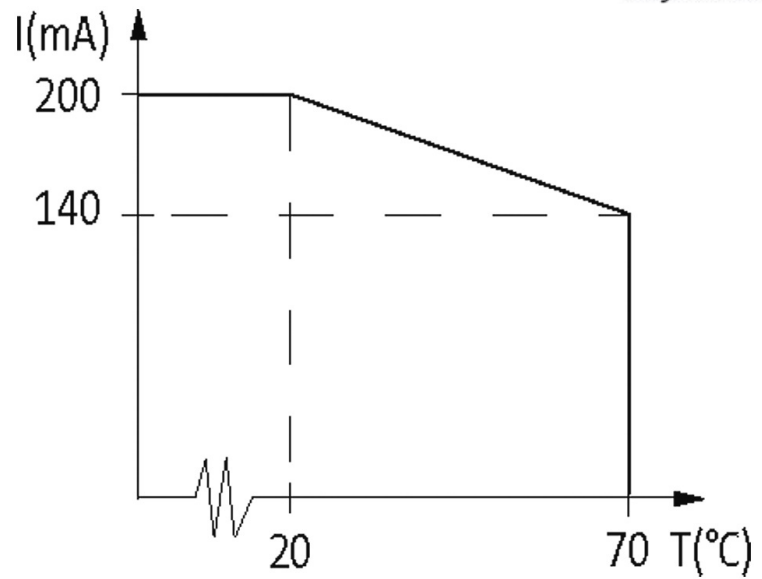
Housings potted on the back



Click to shop online @ [www.trimantec.com](http://www.trimantec.com) or call 336-767-1379

### Illustration





Product may differ from Image

#### Approvals



#### More Info



#### Input

Sensor supply US

24 V DC (EN 61131-2), max. 200 mA (M12 female), short-circuit and overload protected

Type for 3-wire sensors or mechanical switches, PNP

### Connections

Fieldbus	A-coded
Sensor-system/actuator supply	7/8", 5-pole, 2 × max. 9 A
I/O ports	M12, A-coded, 5-pole

### Fieldbus

Operating voltage	24 V DC (EN 61131-2)
Operating modes	Polling; change of state; Cyclic
Transfer rate	125 kbit/s; 250 kbit/s; 500 kbit/s
Addressing	Rotary switch 0...63

### General data

Protection	IP67
Mounting method	2 hole screw mounting, compatible with I/O modules of MVK model range
Temperature range	-25...+70 °C (storage temperature -25...+70 °C)
Dimensions H × W × D	39×63×225 mm

### Output

Switching current per output	max. 2 A (short-circuit and overload protected)
------------------------------	---

### Diagnostic

Communication status	via LED
Diagnostic via LED	per module and channel
Diagnostic via BUS	per module and channel
Monitoring - under voltage	yes
Monitoring - no voltage	yes
Short circuit and overload	yes

### Commercial data

country of origin	DE
customs tariff number	85389099
EAN	4048879052061
minimum order quantity	1