

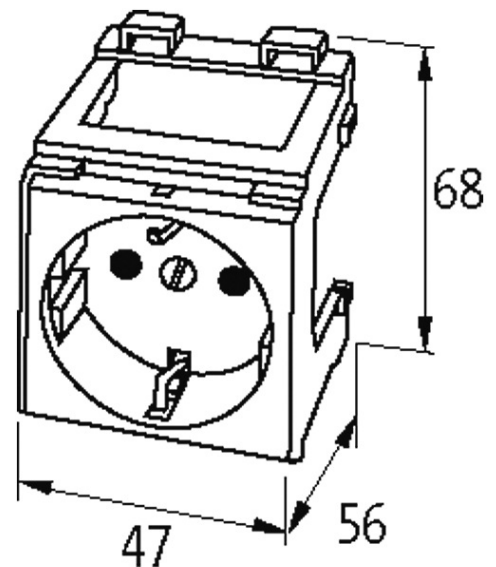
CHINA SOCKET MODULE

China (white)
Screw terminals



Click to shop online @ www.trimantec.com or call 336-767-1379

Illustration



Product may differ from Image

Approvals



Technical Data

Operating voltage	250 V AC
Operating current	10 A

General data

Mounting method	DIN-rail mountable (EN 60715)
Connection	Screw terminals: max. 2 × 4 mm ² (AWG 12)
Dimensions H × W × D	68×47×57 mm

Commercial data

country of origin	FR
customs tariff number	85366990
EAN	4048879031196
eClass	27144042
minimum order quantity	1