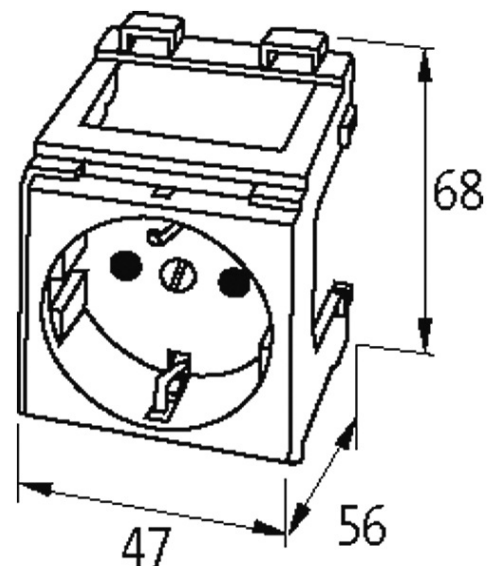


MODLINK MSVD CABINET POWER OUTLETS

India (IS 1293) 240 V AC/ 6 A

India (white)
Screw terminalsClick to shop online @ www.trimantec.com or call 336-767-1379**Illustration**

Product may differ from Image

Approvals

IS 1293

Technical Data

Operating voltage	240 V AC
Operating current	max. 6 A

General data

Mounting method	DIN-rail mountable (EN 60715)
Connection	Screw terminals: max. 2 × 4 mm ² (AWG 12)
Dimensions H × W × D	52×47×57 mm

Commercial data

country of origin	IN
customs tariff number	85366990
EAN	4048879031202
eClass	27143423
minimum order quantity	1