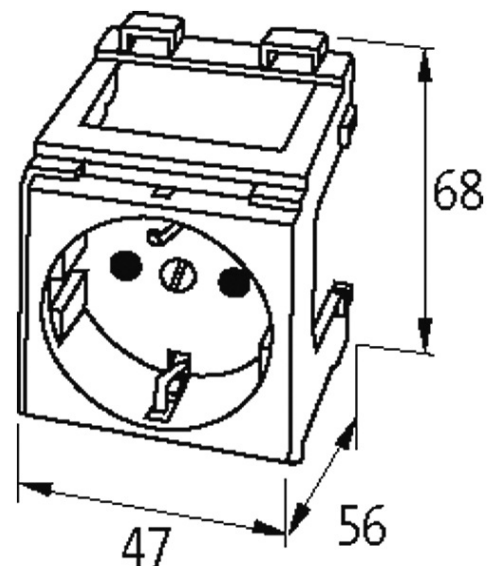


MODLINK MSVD CABINET POWER OUTLETS

VDE 250V AC / 16 A, spring clamp terminals

Germany (VDE) white
Spring clamp terminalsClick to shop online @ www.trimantec.com or call 336-767-1379**Illustration**

Product may differ from Image

Approvals

VDE

General data

Dimensions H x W x D	68x47x56 mm
----------------------	-------------

Germany (VDE)

Operating voltage	250 V AC
-------------------	----------

Operating current	16 A
-------------------	------

No. of poles	2 + PE
--------------	--------

Connection	Spring clamp terminals: max. 2 x 2.5 mm ² (AWG 14)
------------	---

Mounting method	DIN-rail mountable (EN 60715)
-----------------	-------------------------------

Commercial data

country of origin	DE
-------------------	----

customs tariff number	85366990
-----------------------	----------

EAN	4048879031257
-----	---------------

eClass	27143423
--------	----------

minimum order quantity	1
------------------------	---